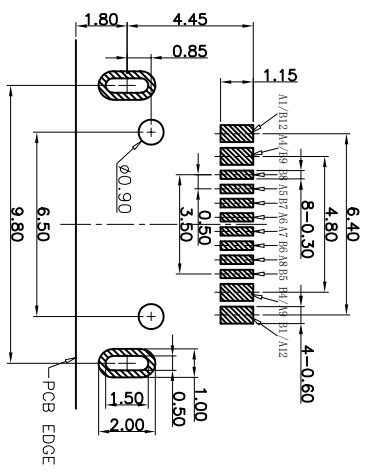
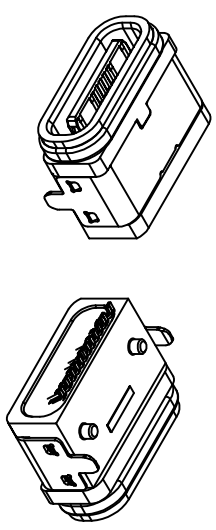




REV.	ECN NO.	DESCRIPTION	DATE	DESIGN



RECOMMEND P.C.B LAYOUT  
TOLERANCE UNSPECIFIED ±0.05mm

- NOTES:
- SPECIFICATION:
- CURRENT RATING: 3.0 A
  - VOLTAGE RATING: 3.0 V
  - VBUS & GND PINS AND OTHER PINS: 40mΩ/PIN MAX SHIELD: 50mΩ/MAX
  - INSULATION RESISTANCE: 100MΩ MIN
  - DIELECTRIC WITHSTAND VOLTAGE: AC 100V FOR 1MINUTE
  - INSERTION FORCE: 0.5~2.0kgf
  - UNMATING FORCE: 0.8~2.0kgf
  - DURABILITY: 10000 CYCLES
  - OPERATING TEMPERATURE: -35°C~+85°C
  - THE PEAK TEMPERATURE ON THE BOARD SHALL BE MAINTAINED FOR 10 SECONDS AT 210-230°C
  - WATERPROOF: IP-X7.

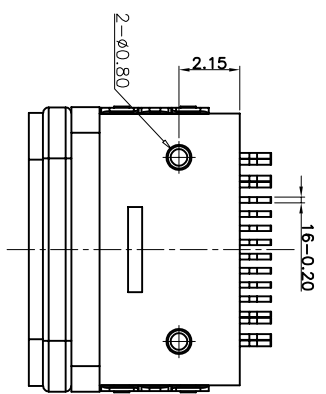
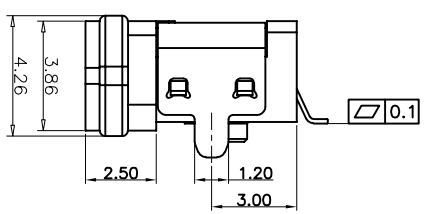
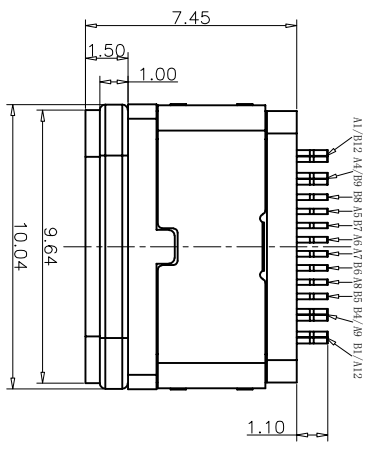
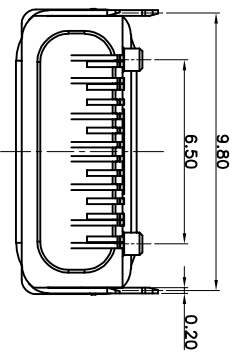
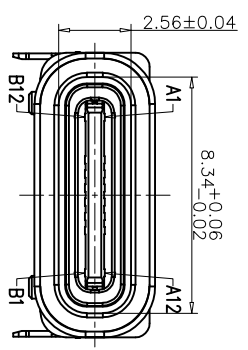


TABLE:

NO	PART	Q'TY	Material
1	SHELL	1	ZINC ALLOC,Ni30u"Min PLATED
2	CONTACT	16	C7025,TIN80U"/Au3U"/Ni30u"PLATED
3	MID PLATE	1	SUS301,NO PLATING
4	HOUSING	1	LCP(E130J) UL94 V-0 BLACK
5	WATERPROOF RING	1	SILICONE(S)/60-65A) UL94 V-0 BLACK

USB TYPE C PIN ASSIGNMENTS

PIN NUMBER	SIGNAL NAME	NAME	PIN NUMBER	SIGNAL NAME
A1	GND	B12	GND	
A4	VBUS	B9	VBUS	
A5	CC1	B8	SB12	
A6	DP1	B7	DN2	
A7	DN1	B6	CC2	
A8	SB11	B5	CC2	
A9	VBUS	B4	VBUS	
A12	GND	B1	GND	



TOLERANCE		NAME (INTENDED USE)	
X.X ±0.30	X.X' ±10'	CUSTOMER DRAWING	
XX ±0.20	X.X' ± 8'	PART NO. F23-0107C161F1745-01	
.XXX ±0.10	.XX' ± 5'	DESIGN: ZXMM	
UNITS mm		DRAWG NO. F23-0107C161F1745-01	
MATERILA		TITLE: TYPE C 16P防水母座板上7.45L全塑	
FINISH		Gongping Finyou Precision Electronic Technology Co.,Ltd.	
		APPD:	
		SCALE SHEET REV. 1/2 A	