

REVISIONS

REV.	ECN	DESCRIPTION	DATE	APPROVED
A		PROPOSAL	SEP.26, 11	J.SI
B		PROPOSAL	AUG.15, 12	J.SI
C		OPTION 2 AND OPTION 5 ADDED	AUG.22, 13	J.SI

AMPHENOL PART NUMBER CONFIGURATION

UE86 - L 6 6 2 7 - 0 0 X X 1

PRESS FIT CONNECTOR PLATING

- 2 = 0.76 µm MIN. GOLD ON MATING AREA
0.38-2.54 µm MATTE TIN OVER 1.27µm MIN NICKEL ON TERMINATION
- 3 = 0.76 µm MIN. GOLD ON MATING AREA
3.81-7.62 µm MATTE TIN ON TERMINATION
- 5 = 0.38 µm MIN. GOLD ON MATING AREA
0.38-2.54 µm MATTE TIN OVER 1.27µm MIN NICKEL ON TERMINATION
- 6 = 0.38 µm MIN. GOLD ON MATING AREA
3.81-7.62 µm MATTE TIN ON TERMINATION

CAGE PLATING

- 2 = NICKEL PLATING
- 3 = MATTE TIN PLATING

DO NOT SCALE DRAWING

THIS DOCUMENT CONTAINS PROPRIETARY INFORMATION AND SUCH INFORMATION MAY NOT BE DISCLOSED TO OTHERS FOR ANY PURPOSE OR USED FOR MANUFACTURING PURPOSES WITHOUT PERMISSION FROM AMPHENOL CANADA CORP.

MATERIAL: (RoHS COMPLIANT)

- CAGE - PRESS FIT:
COPPER ALLOY
- PLATING:
OPTION 2: NICKEL 2.54 µm MIN.
OPTION 3: MATTE TIN 2.54 µm MIN.
- CONNECTOR - PRESS FIT:
PLASTIC HOUSING:
LCP, FLAMMABILITY RATING UL94-V0.
- CONTACTS:
PHOSPHOR BRONZE
- PLATING OPTION:
SEE AMPHENOL PART NUMBER CONFIGURATION FOR OPTIONS.
- PACKAGING:
TRAY PACKAGING.
- TEMPERATURE RANGE:
-40°C TO +85°C

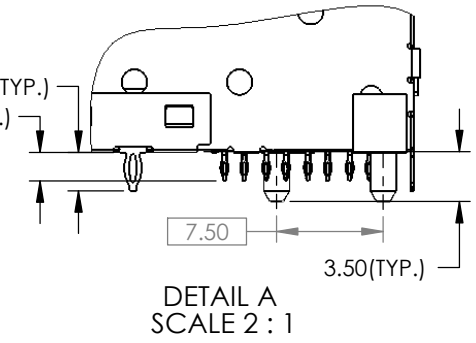
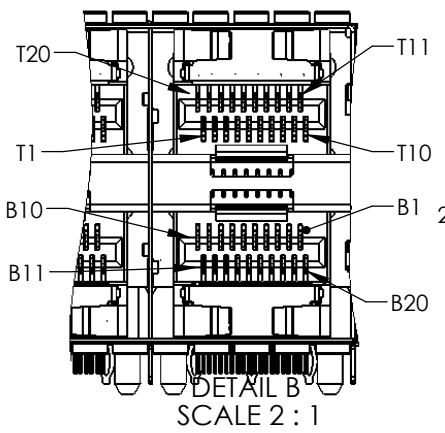
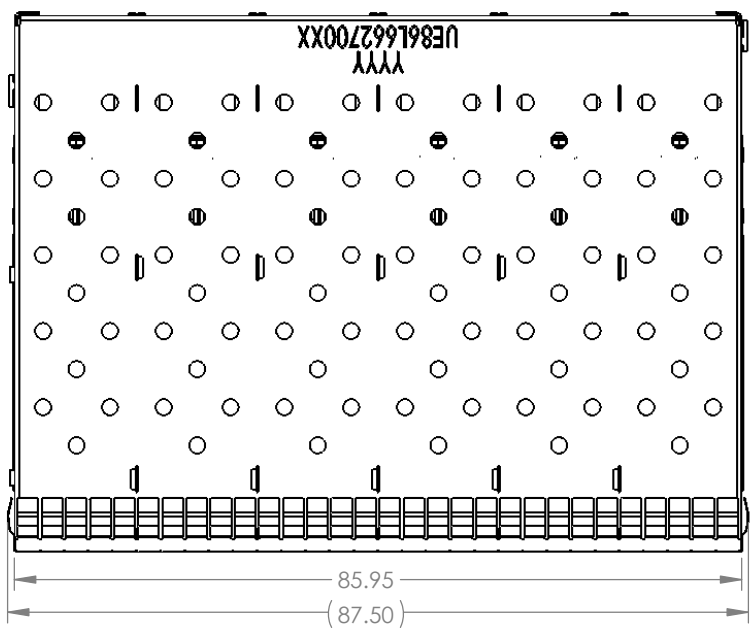
UNLESS OTHERWISE SPECIFIED DIMENSIONS ARE IN MILLIMETERS TOLERANCES ARE: DECIMALS X.X ± 0.25 X.XX ± 0.15 MATERIAL AND FINISH N/A REF. X CODE IDENT. NO. 03554	APPROVALS	DATE	Amphenol High Speed Interconnects A Division of Amphenol Corp. www.amphenol-highspeed.com TITLE 2X6 SFP+ EXPRESSPORT LOW PROFILE COMBO SIZE A4 DWG. NO. P-UE86-L6627-00XX1 REV. C SCALE 2:3 PROJECT SHEET 1 OF 5
	DRAWN Grace.L	SEP.26, 11	
	DESIGNED		
	CHECKED J.SI	SEP.26, 11	
	QA APPD		
	IE APPD		
	DWG APPD		

1 2 3 4 5 6

REVISIONS

REV.	ECN	DESCRIPTION	DATE	APPROVED
A		PROPOSAL	SEP.26, 11	J.SI
B		PROPOSAL	AUG.15, 12	J.SI
C		OPTION 2 AND OPTION 5 ADDED	AUG.22, 13	J.SI

A

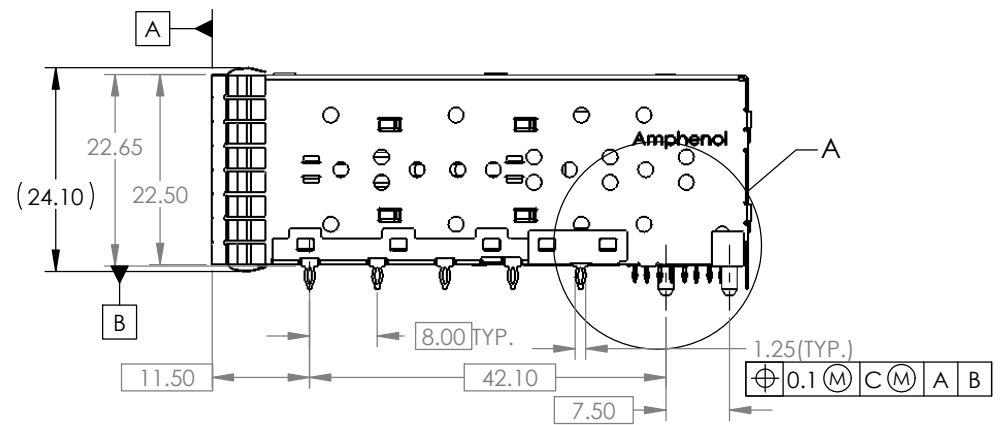
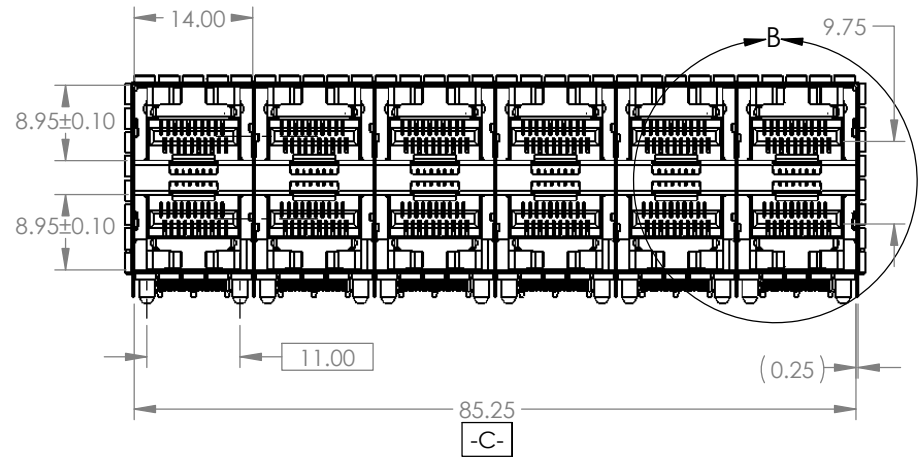


B

A

C

C



D

DO NOT SCALE DRAWING

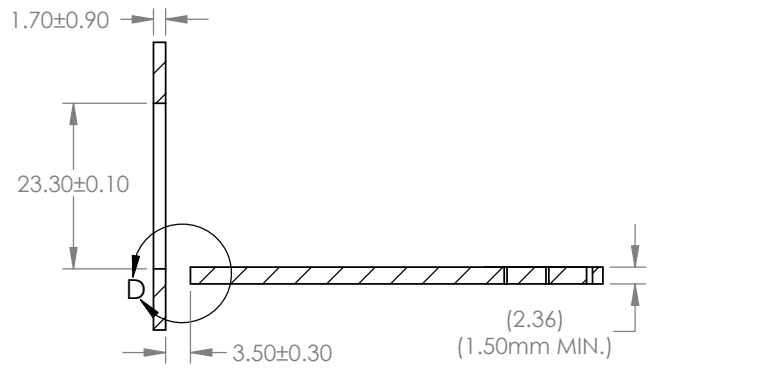
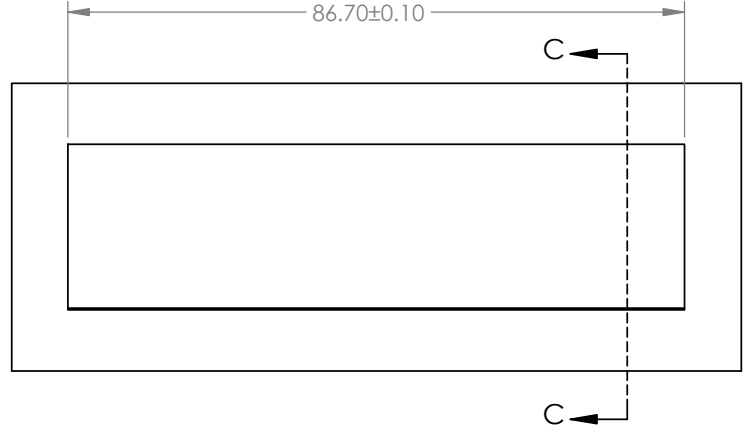
THIS DOCUMENT CONTAINS PROPRIETARY INFORMATION AND SUCH INFORMATION MAY NOT BE DISCLOSED TO OTHERS FOR ANY PURPOSE OR USED FOR MANUFACTURING PURPOSES WITHOUT PERMISSION FROM AMPHENOL CANADA CORP.

UNLESS OTHERWISE SPECIFIED DIMENSIONS ARE IN MILLIMETERS TOLERANCES ARE:		APPROVALS		DATE		Amphenol High Speed Interconnects A Division of Amphenol Corp. www.amphenol-highspeed.com	
DECIMALS	ANGLES	DRAWN	Grace.L	SEP.26, 11	TITLE		
X.X ± 0.25	± 1°	DESIGNED			2X6 SFP+ EXPRESSPORT LOW PROFILE COMBO		
X.XX ± 0.15		CHECKED	J.SI	SEP.26, 11			
MATERIAL AND FINISH	N/A	QA APPD					
REF.	X	IE APPD			SIZE	DWG. NO.	P-UE86-L6627-00XX1
CODE IDENT. NO.	03554	DWG APPD			SCALE	PROJECT	REV. C
					1:1		SHEET 2 OF 5

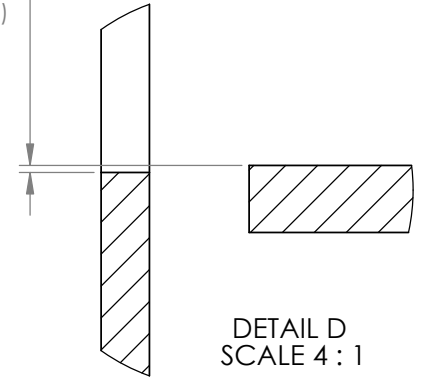
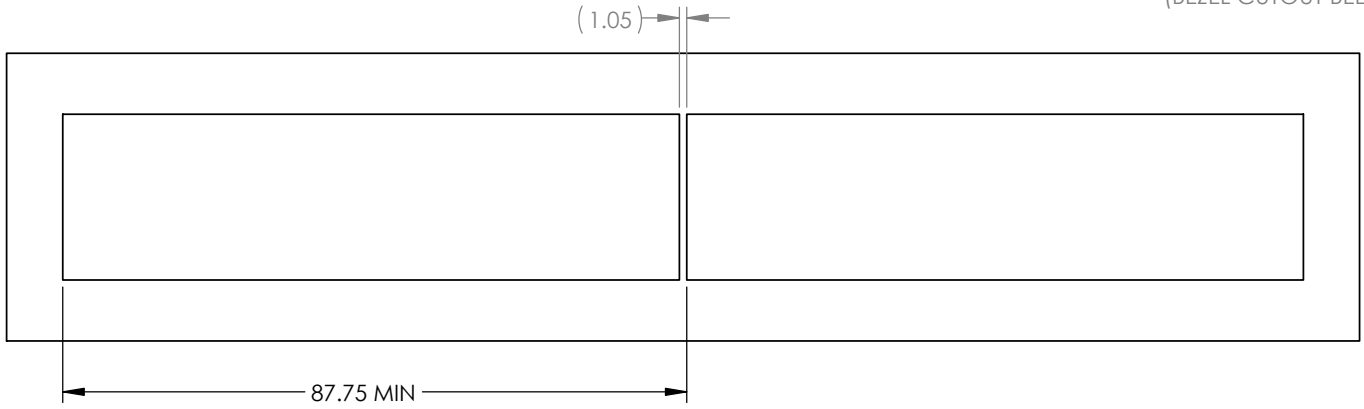
1 2 3

1 2 3 4 5 6

REVISIONS				
REV.	ECN	DESCRIPTION	DATE	APPROVED
A		PROPOSAL	SEP.26, 11	J.SI
B		PROPOSAL	AUG.15, 12	J.SI
C		OPTION 2 AND OPTION 5 ADDED	AUG.22, 13	J.SI



SECTION C-C



DETAIL D
SCALE 4 : 1

DO NOT SCALE DRAWING

THIS DOCUMENT CONTAINS PROPRIETARY INFORMATION AND SUCH INFORMATION MAY NOT BE DISCLOSED TO OTHERS FOR ANY PURPOSE OR USED FOR MANUFACTURING PURPOSES WITHOUT PERMISSION FROM AMPHENOL CANADA CORP.

UNLESS OTHERWISE SPECIFIED DIMENSIONS ARE IN MILLIMETERS TOLERANCES ARE:

DECIMALS	ANGLES
X.X ± 0.25	± 1°
X.XX ± 0.15	

MATERIAL AND FINISH: N/A

REF: X

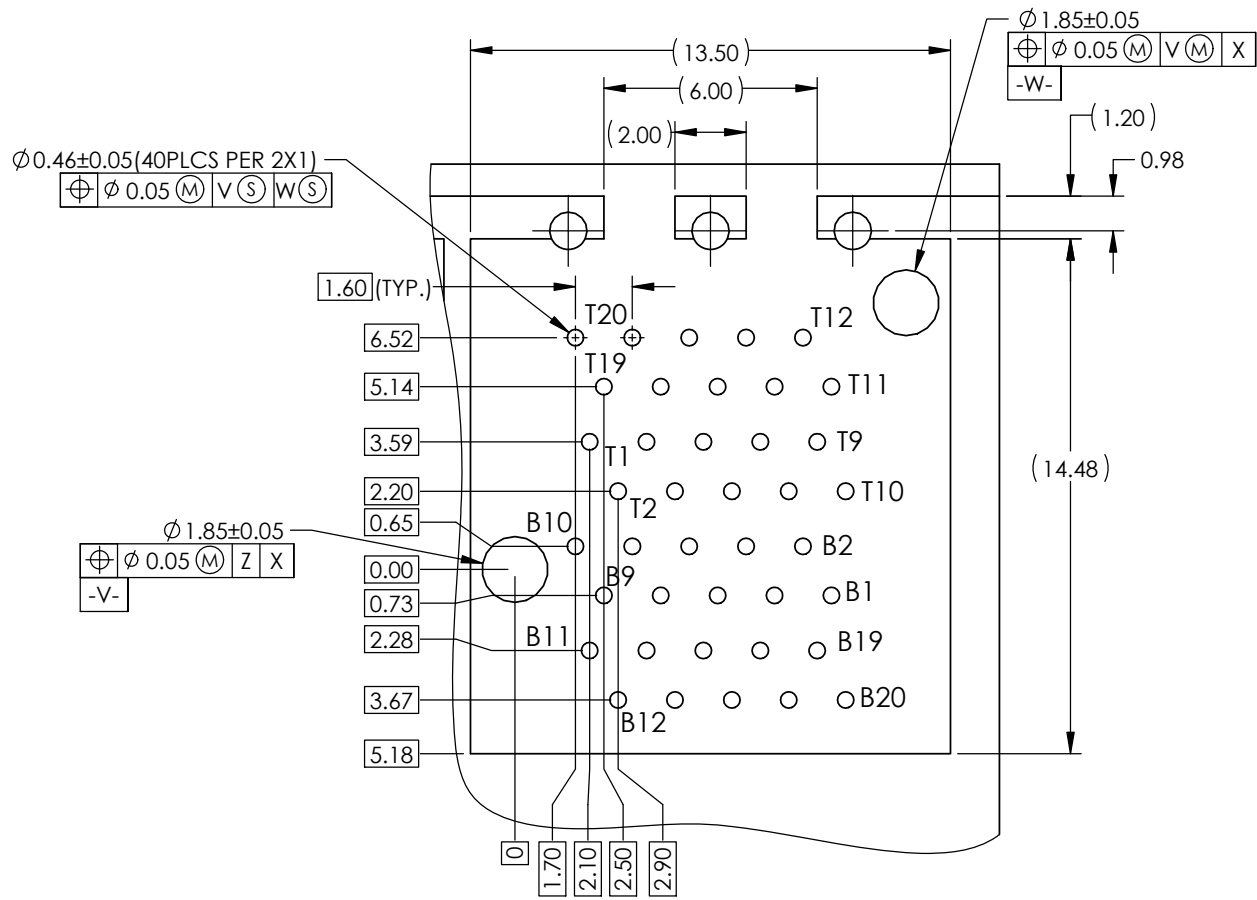
CODE IDENT. NO. 03554

APPROVALS		DATE
DRAWN	Grace.L	SEP.26, 11
DESIGNED		
CHECKED	J.SI	SEP.26, 11
QA APP'D		
IE APP'D		
DWG APP'D		

Amphenol High Speed Interconnects A Division of Amphenol Corp. www.amphenol-highspeed.com		
TITLE		
2X6 SFP+ EXPRESSPORT LOW PROFILE COMBO		
SIZE A4	DWG. NO. P-UE86-L6627-00XX1	REV. C
SCALE 1:1	PROJECT	SHEET 3 OF 5

1 2 3

REVISIONS				
REV.	ECN	DESCRIPTION	DATE	APPROVED
A		PROPOSAL	SEP.26, 11	J.SI
B		PROPOSAL	AUG.15, 12	J.SI
C		OPTION 2 AND OPTION 5 ADDED	AUG.22, 13	J.SI



DETAIL E
SCALE 5 : 1

DO NOT SCALE DRAWING

THIS DOCUMENT CONTAINS PROPRIETARY INFORMATION AND SUCH INFORMATION MAY NOT BE DISCLOSED TO OTHERS FOR ANY PURPOSE OR USED FOR MANUFACTURING PURPOSES WITHOUT PERMISSION FROM AMPHENOL CANADA CORP.

UNLESS OTHERWISE SPECIFIED DIMENSIONS ARE IN MILLIMETERS TOLERANCES ARE:		APPROVALS		DATE	Amphenol High Speed Interconnects A Division of Amphenol Corp. www.amphenol-highspeed.com	
DECIMALS	ANGLES	DRAWN	Grace.L	SEP.26, 11	TITLE 2X6 SFP+ EXPRESSPORT LOW PROFILE COMBO	
X.X ± 0.25	± 1°	DESIGNED				
X.XX ± 0.15		CHECKED	J.SI	SEP.26, 11		
MATERIAL AND FINISH		QA APP'D				
REF.	X	IE APP'D			SIZE A4	DWG. NO. P-UE86-L6627-00XX1
CODE IDENT. NO.	03554	DWG APP'D			SCALE 3:2	PROJECT
					SHEET	5 OF 5

Mouser Electronics

Authorized Distributor

Click to View Pricing, Inventory, Delivery & Lifecycle Information:

Amphenol:

[UE86-B4427-00321](#) [UE86-B8627-00321](#) [UE86-K6427-10321](#) [UE86-K6627-10321](#) [UE86-K2627-30321](#) [UE86-B4627-00321](#) [UE86-K5627-10321](#) [UE86-K6427-20321](#) [UE86-B2627-00321](#) [UE86-B6627-00321](#) [UE86-K1427-10321](#)
[UE86-K8427-10321](#) [UE86-K8627-20321](#) [UE86-K8427-20321](#) [UE86-K85AA-20321](#)