

WAVEGUIDE TO COAX

Adapter

WR28-KFR+

50Ω 26.5 to 40 GHz (Right-Angle 2.92mm-F to WR28 UG-599/U Sq. Cover Flange)

THE BIG DEAL

- Ka-Band frequency range, 26.5 to 40 GHz
- Excellent VSWR, 1.2:1 typ.
- Low insertion loss, 0.15dB typ.
- Compact design
- UG-599/U waveguide cover flange
- 2.92mm-F connector

APPLICATIONS

- Instrumentation and Lab use
- Rapid Prototyping
- Waveguide Systems
- Radars
- Communications
- Industrial, Scientific and Medical
- 5G Cellular Mobile



Generic photo used for illustration purposes only

Model No.	WR28-KFR+
Case Style	UW3144
Connector 1	2.92 mm-F
Connector 2	WR28 UG-599/U SQ. Cover Flange

+RoHS Compliant

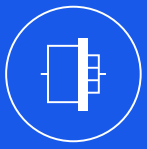
The +Suffix identifies RoHS Compliance. See our web site for RoHS Compliance methodologies and qualifications

PRODUCT OVERVIEW

Mini-Circuits' WR28-KFR+ is a waveguide to coax adapter operating from 26.5 to 40 GHz. This product features a WR28 waveguide with a precision standard UG-599/U-Flange transitioning to 2.92 mm-F coaxial connector. The WR28-KFR+ is machined from aluminum alloy 6061-T6 and gold-plated to ensure repeatable RF performance. This adapter has numerous applications in laboratories, Ka-Band communications, Radars and more.

KEY FEATURES

Feature	Advantages
Wideband, 26.5 to 40 GHz	Full operating frequency range of WR-28 waveguide
Low insertion loss/excellent VSWR	Key for critical waveguide to coax requirements



ELECTRICAL SPECIFICATIONS AT 25°C

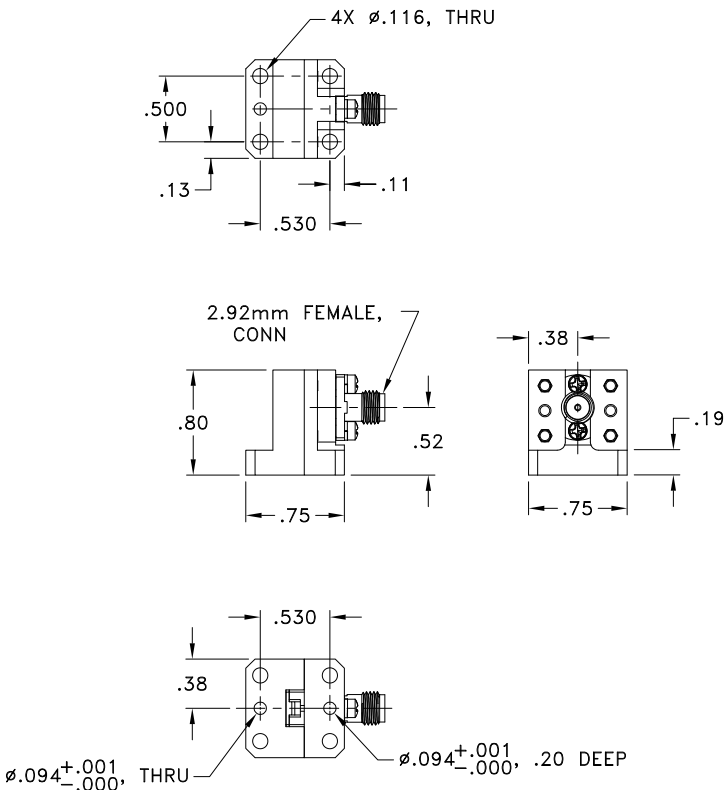
Parameter	Condition (GHz)	Min.	Typ.	Max.	Units
Frequency Range		26.5		40	GHz
Insertion Loss	26.5 - 40		0.15	0.40	dB
	26.5 - 29		0.15		
	33 - 36		0.2		
	37 - 40		0.15		
VSWR	26.5 - 40		1.2	1.38	:1
	26.5 - 29		1.15		
	33 - 36		1.25		
	37 - 40		1.2		

MAXIMUM RATINGS

Parameter	Ratings
Operating Case Temperature	-40 °C to +85 °C
Storage Temperature	-55 °C to +100 °C

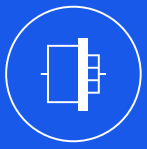
Permanent damage may occur if any of these limits are exceeded.

OUTLINE DRAWING



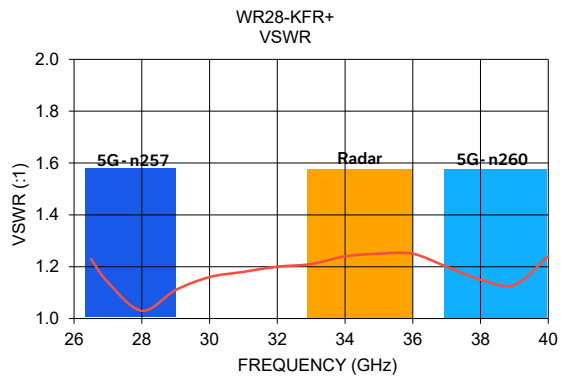
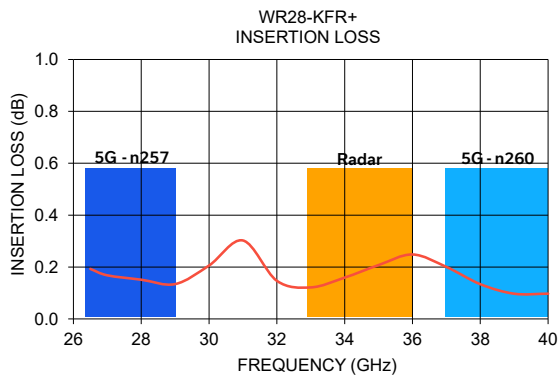
Weight: 54 grams.

Dimensions are in inches (mm). Tolerances: 2 Pl. \pm .03; 3 Pl. \pm .015



TYPICAL PERFORMANCE DATA

Frequency (MHz)	Insertion Loss (dB)	VSWR (:1)
26.50	0.19	1.23
27.0	0.17	1.14
28.0	0.15	1.03
29.0	0.13	1.11
30.0	0.21	1.16
31.0	0.30	1.18
32.0	0.15	1.20
33.0	0.12	1.21
34.0	0.16	1.24
35.0	0.21	1.25
36.0	0.25	1.25
37.0	0.20	1.20
38.0	0.13	1.15
39.0	0.10	1.13
40.0	0.10	1.24



- NOTES**
- A. Performance and quality attributes and conditions not expressly stated in this specification document are intended to be excluded and do not form a part of this specification document.
 - B. Electrical specifications and performance data contained in this specification document are based on Mini-Circuit's applicable established test performance criteria and measurement instructions.
 - C. The parts covered by this specification document are subject to Mini-Circuits standard limited warranty and terms and conditions (collectively, "Standard Terms"); Purchasers of this part are entitled to the rights and benefits contained therein. For a full statement of the standard. Terms and the exclusive rights and remedies thereunder, please visit Mini-Circuits' website at www.minicircuits.com/MCLStore/terms.jsp