

# RJ45 10/100 Base-T with Magnetic Module

ARJ-101D

RoHS/RoHS II Compliant



16.26 x 13.84 x 21.59mm

## FEATURES:

- Compliant with IEEE802.3 standard
- 350uH minimum OCL with 8mA bias current
- High performance for maximum EMI suppression
- High reliability – 750 mating/unmating cycles

## APPLICATIONS:

- Designed for most leading PHY IC manufacturers such as Broadcom, Marvell, Microsemi.
- Supports 10/100 Base-T applications
- Provides signal conditioning, EMI suppression and signal isolation.

## STANDARD SPECIFICATIONS

Operating temperature range: -40°C to +85°C

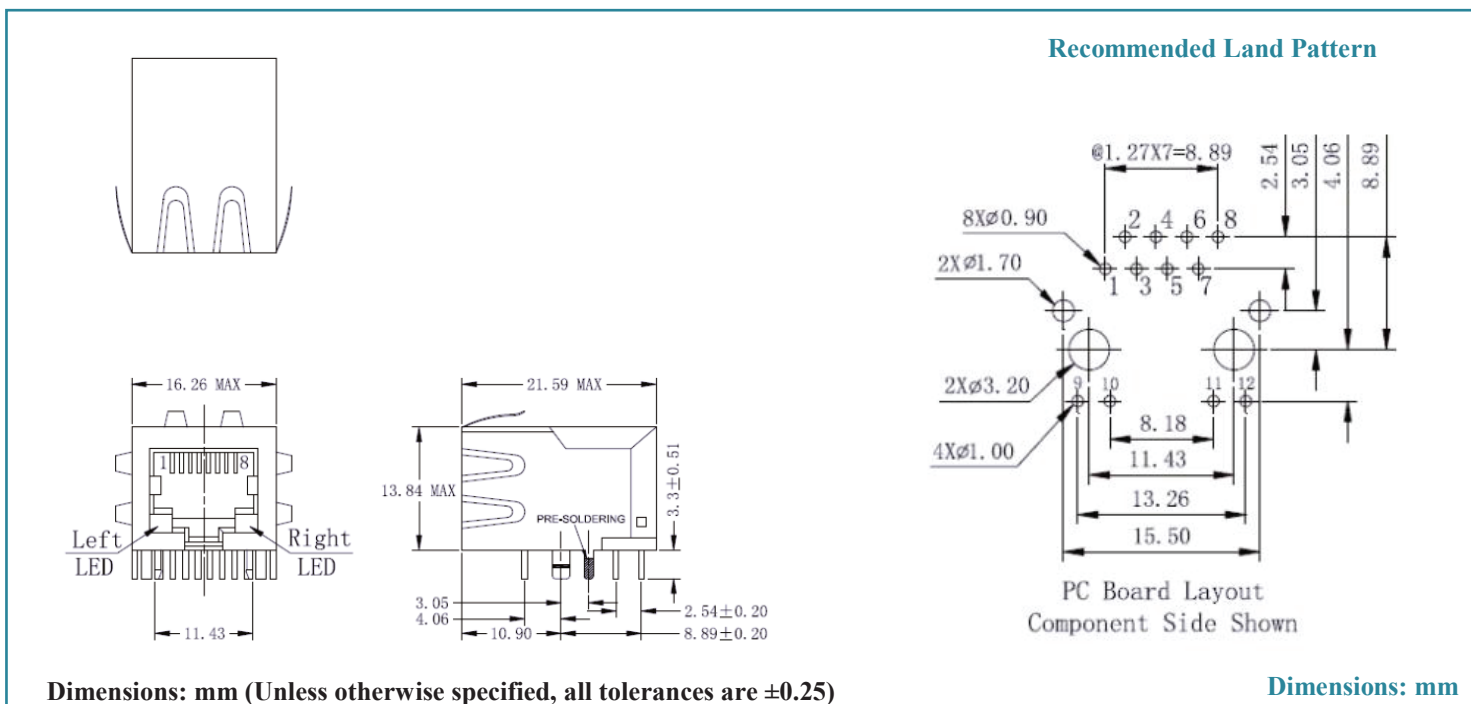
Storage temperature range: -20 °C to +125 °C

Standard Electrical Specifications @25°C

Parameters	Minimum	Typical	Maximum	Units	Notes
Turn Ratio (±2%)	1CT:1CT				
Inductance	350			uH	100kHz/0.1V@8mA
Insertion Loss			-1.0	dB	1-100MHz
Return Loss	-16			dB	1-30MHz
	-13				30-60MHz
	-10				60-80MHz
Crosstalk		-40		dB	1-60MHz
		-38			60-80MHz
CMR		-45		dB	1-60MHz (Tx)
		-40			60-80MHz (Tx)
		-40			1-60MHz (Rx)
		-35			60-80MHz (Rx)
Hipot	1500Vrms/0.5mA/60s or 1650Vrms/0.5mA/2Sec				Pri to Sec

Operating Life: 750 Cycles MIN.

## MECHANICAL DIMENSIONS



ABRACON IS  
ISO 9001:2008  
CERTIFIED



**ABRACON**  
CORPORATION

Visit [www.abracon.com](http://www.abracon.com) for Terms & Conditions of Sale  
30332 Esperanza, Rancho Santa Margarita, California 92688  
tel 949-546-8000 | fax 949-546-8001 | [www.abracon.com](http://www.abracon.com)

Revised: 07.29.14

# RJ45 10/100 Base-T with Magnetic Module

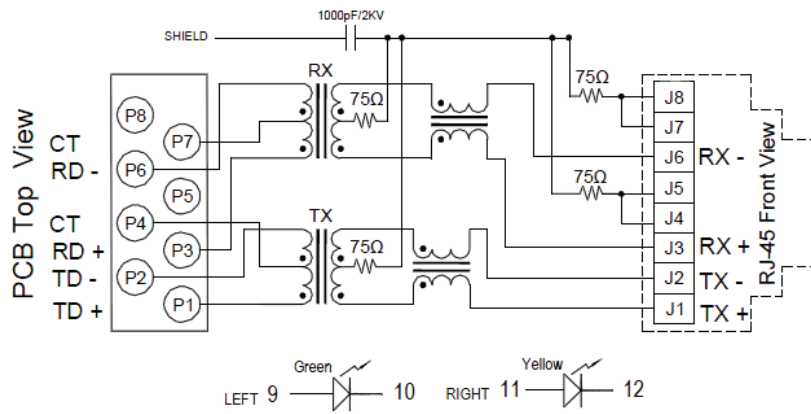
ARJ-101D

RoHS/RoHS II Compliant

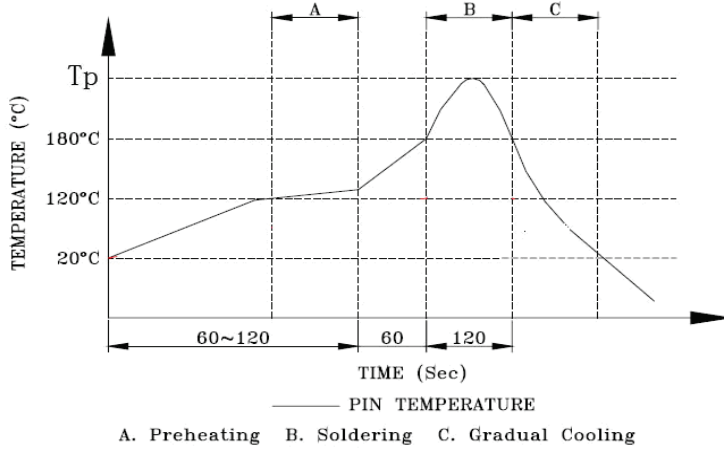


16.26 x 13.84 x 21.59mm

## SCHEMATICS



## PROFILE OF WAVE SOLDERING

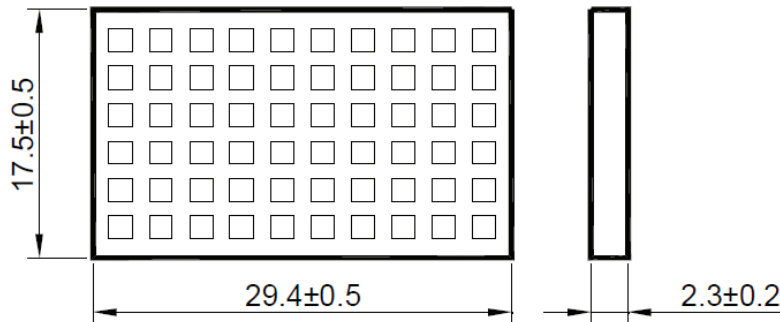


Peak temperature( $T_p$ ) : 250± 10°C  
Peak temperature( $T_p$ ) time : 5sec max

## PACKING:

Packing: (60pcs/tray)

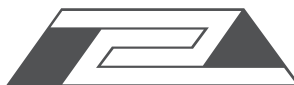
Packaging material: PET



Dimensions: cm

**ATTENTION:** Abracon Corporation's products are COTS – Commercial-Off-The-Shelf products; suitable for Commercial, Industrial and, where designated, Automotive Applications. Abracon's products are not specifically designed for Military, Aviation, Aerospace, Life-dependant Medical applications or any application requiring high reliability where component failure could result in loss of life and/or property. For applications requiring high reliability and/or presenting an extreme operating environment, written consent and authorization from Abracon Corporation is required. Please contact Abracon Corporation for more information.

ABRACON IS  
ISO 9001:2008  
CERTIFIED



**ABRACON**  
CORPORATION

Visit [www.abracon.com](http://www.abracon.com) for Terms & Conditions of Sale  
30332 Esperanza, Rancho Santa Margarita, California 92688  
tel 949-546-8000 | fax 949-546-8001 | [www.abracon.com](http://www.abracon.com)

Revised: 07.29.14