

62244-3 ✓ ACTIVE

TE Internal #: 62244-3

Receptacle, Lead Wire Size 18 – 16 AWG, Lead Wire Size .82 – 1.3 mm², Crimp, Crimp Area Length 4.32 mm [.17 in], Tin Plating, Magnet Wire Terminals

[View on TE.com >](#)



Terminals & Splices > Magnet Wire Terminals



Magnet Wire Terminal Type: **Receptacle**

Mating Pin Diameter: **3.18 mm [.125 in]**

Compatible Insulation Diameter (Max): **3.3 mm [.13 in]**

Compatible Insulation Diameter Range: **2.3 – 3.3 mm [.09 – .13 in]**

Lead Wire Size: **18 – 16 AWG**

Features

Product Type Features

Wire Insulation Support Retention Type

Insulation Support

Compatible With Discrete Wire Type

Lead Wire, Stranded

Contact Features

Crimp Type

F-Crimp

Magnet Wire Terminal Type

Receptacle

Mating Pin Diameter

3.18 mm [.125 in]

Terminal Plating Material

Tin

Terminal Orientation

Straight

Termination Features

Termination Method to Wire & Cable

Crimp

Crimp Area Length

4.32 mm [.17 in]

Mechanical Attachment

Wire Insulation Support

With

Dimensions



Terminal Height	6.1 mm[.24 in]
Compatible Insulation Diameter (Max)	3.3 mm[.13 in]
Compatible Insulation Diameter Range	2.3 – 3.3 mm[.09 – .13 in]
Lead Wire Size	.82 – 1.3 mm ²
Stock Thickness (Magnet Wire Side)	.51 mm[.02 in]
Product Length	20.96 mm[.825 in]

Usage Conditions

Insulation Option	Uninsulated
Operating Temperature Range	-20 – 105 °C[-4 – 221 °F]

Operation/Application

Compatible With Wire Base Material	Copper
------------------------------------	--------

Packaging Features

Packaging Quantity	9000
Packaging Method	Package

Product Compliance

[For compliance documentation, visit the product page on TE.com>](#)

EU RoHS Directive 2011/65/EU	Compliant
EU ELV Directive 2000/53/EC	Compliant
China RoHS 2 Directive MIIT Order No 32, 2016	No Restricted Materials Above Threshold
EU REACH Regulation (EC) No. 1907/2006	Current ECHA Candidate List: JUNE 2024 (241) Candidate List Declared Against: JUNE 2024 (241) Does not contain REACH SVHC
Halogen Content	Low Halogen - Br, Cl, F, I < 900 ppm per homogenous material. Also BFR/CFR/PVC Free
Solder Process Capability	Not applicable for solder process capability

Product Compliance Disclaimer

This information is provided based on reasonable inquiry of our suppliers and represents our current actual knowledge based on the information they provided. This information is subject to change. The part numbers that TE has identified as EU RoHS compliant have a maximum concentration of 0.1% by weight in homogenous materials for lead, hexavalent chromium, mercury, PBB, PBDE, DBP, BBP, DEHP, DIBP, and 0.01% for cadmium, or qualify for an exemption to these limits as defined in the Annexes of Directive 2011/65/EU (RoHS2). Finished electrical and electronic equipment products will be CE marked as required by Directive 2011/65/EU. Components may not be CE marked. Additionally, the part numbers that TE has identified as EU ELV compliant have a maximum concentration of 0.1% by weight in homogenous materials for lead, hexavalent chromium, and mercury, and 0.01% for cadmium, or qualify for an exemption to these limits

as defined in the Annexes of Directive 2000/53/EC (ELV). Regarding the REACH Regulation, the information TE provides on SVHC in articles for this part number is based on the latest European Chemicals Agency (ECHA) 'Guidance on requirements for substances in articles' posted at this URL: <https://echa.europa.eu/guidance-documents/guidance-on-reach>

Compatible Parts

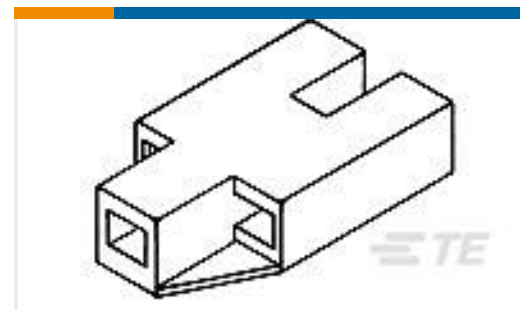


Customers Also Bought





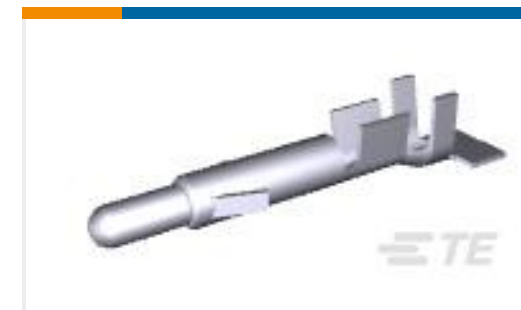
TE Part #A39093-000
B-155-11



TE Part #360050-1
090 DIA CLSTR BLK



TE Part #350809-1
05P UMNL PLUG HSG



TE Part #926883-3
UNIV.M-N-L.PIN



TE Part #1062-16-0644
SOC, SF, SIZE 16, 16-20, AU/SN



TE Part #62131-3
CLSTR PIN RCPT

Documents

Product Drawings

125 PIN RCPT 18-16

English

CAD Files

Customer View Model

[ENG_CVM_CVM_62244-3_AG.2d_dxf.zip](#)

English

3D PDF

3D

Customer View Model

[ENG_CVM_CVM_62244-3_AG.3d_igs.zip](#)

English

Customer View Model

[ENG_CVM_CVM_62244-3_AG.3d_stp.zip](#)

English

By downloading the CAD file I accept and agree to the [Terms and Conditions](#) of use.

Datasheets & Catalog Pages

Magnet Wire Terminals & Splices

English

Product Specifications

Application Specification

English