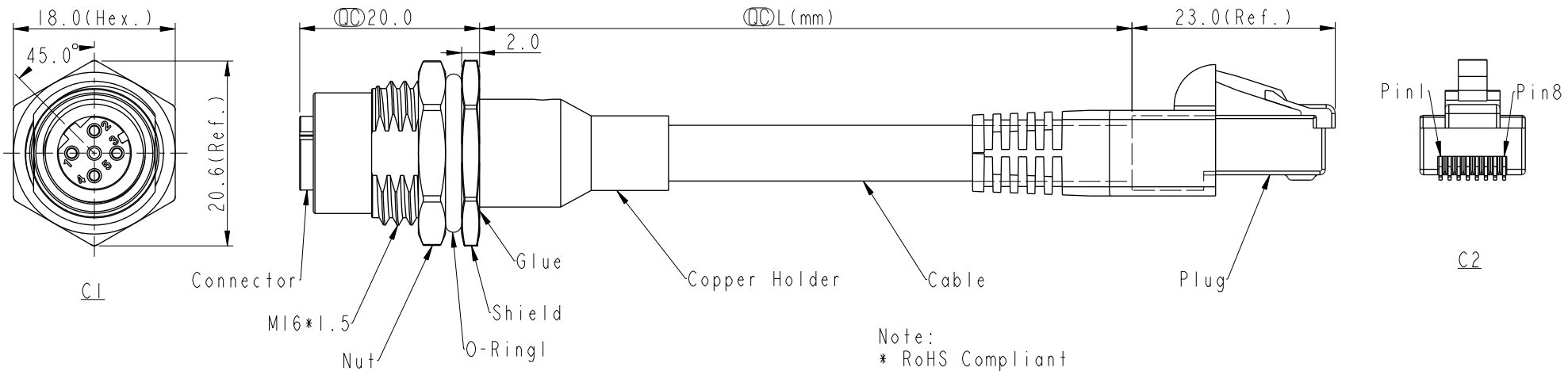


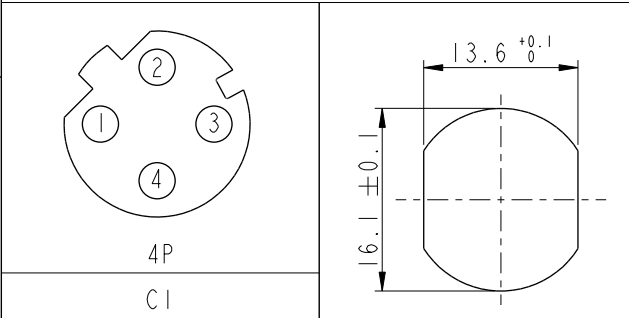
THIS DOCUMENT IS SUBJECT TO CHANGE WITHOUT NOTICE. IT IS CONFIDENTIAL AND A PROPERTY OF AMPHENOL LTW. DISCLOSURE TO THIRD PARTY HAS TO BE AUTHORIZED BY AMPHENOL LTW.

REV.	ECN NO.	DATE	SIGN	DESCRIPTION
A		2022-06-22	Jiahe Lin	Rev.01 To Rev.A
B	C221046	2022-07-10	Allen Pan	$\triangle B \times I$

MSDS-XXPFFJ-SF8CXX
 XX: No. Of Pin
 XX:L=0~5Meters
 A5:L=0.5Meters
 01:L=1Meters
 02:L=2Meters
 ...
 05:L=5Meters



- Note:
- * RoHS Compliant
 - * \varnothing Important Dimension
 - * C1
 Waterproof Rate: IPX8, Unmated 1m/24h
 Housing: Thermoplastic, Black
 Pin: Copper Alloy, Gold plated
 O-Ring1: Rubber, Black
 O-Ring2: Rubber, Green
 Shield: Metal
 Nut: Metal
 - * C2
 Waterproof Rate: Non-Waterproof
 Plug: RJ45, Shielded
 - * For panel thickness max: 4.5mm
 - * Nut is packed separately in pe bag
 - * Cable: CAT-5E, 22#*2P+AL/MY+D, OD=6.2mm, PU Jacket, Black
 - * Cable length tolerance: 0.5M < L ≤ 1M: +60/-0 mm
 1M < L ≤ 3M: +120/-0 mm
 3M < L ≤ 5M: +160/-0 mm



Pin Assignment Front View Recommended Panel Cut-Out

UNIT:mm		TITLE N SEN, M12 D -SHLD, SCREW RECEPTACLE, F, F, RJ PLUG
TOLERANCE .X ±0.25 .XX ±0.1 .XXX ±0.05 ANGLES ±1°	SCALE 2:1	SIZE A4
	REV. B	SHEET 1 OF 2
	WC-REV.	\varnothing : Inspection item

Amphenol LTW
 安費諾亮泰企業股份有限公司

ITEM NO	DRAWN BY Jiahe Lin	DATE 2022-06-22
DWG NO MSDS-XXPFFJ-SF8CXX	CHECKED BY Allen Pan	DATE 2022-06-22
CUSTOMER ALTW	APPROVED BY Fred Lee	DATE 2022-06-22

THIS DOCUMENT IS SUBJECT TO CHANGE WITHOUT NOTICE. IT IS CONFIDENTIAL AND A PROPERTY OF Amphenol LTW. DISCLOSURE TO THIRD PARTY HAS TO BE AUTHORIZED BY Amphenol LTW.

	2	3	4	5	6	7	8	
F								
E								
D								
C								
B	Shield	Drain	地線	Shield				
	4	Green	綠	6	Twist			
	2	White/Green	白/綠	3	Twist			
	3	Orange	橘	2	Twist			
	1	White/Orange	白/橘	1				
	C1	Wire Color		C2				
	Pin Out							
A	UNIT:mm		TITLE N SEN, M12 D -SHLD, SCREW RECEPTACLE, F, F, RJ PLUG		ITEM NO		DATE	
	TOLERANCE .X ±0.25 .XX ±0.1 .XXX ±0.05 ANGLES ±1°		SCALE 1:1	SIZE A4	SHEET 2 OF 2	DWG NO MSDS-XXPFFJ-SF8CXX	CHECKED BY Allen Pan	DATE 2022-06-22
			REV. B	WC-REV.	: Inspection item	CUSTOMER ALTW	APPROVED BY Fred Lee	DATE 2022-06-22
								8 W10814-03-001A2

Amphenol LTW
安費諾亮泰企業股份有限公司