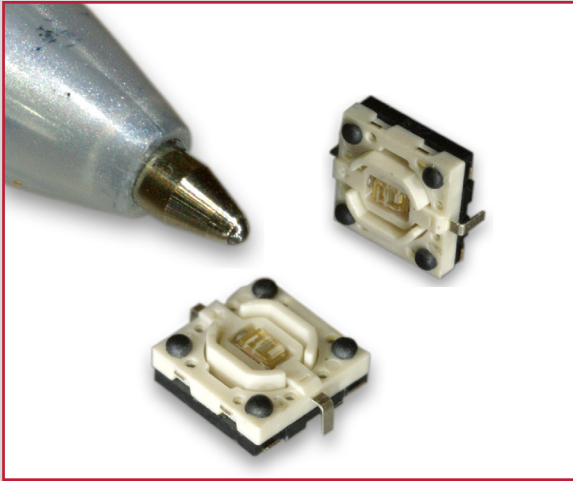
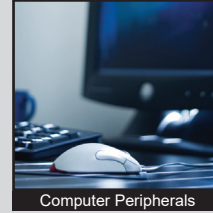


# TL3215 SERIES TACT SWITCH

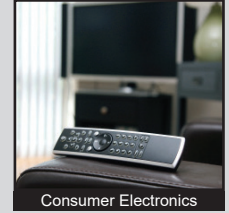
## APPLICATIONS / MARKETS



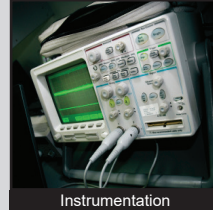
Audio / Visual



Computer Peripherals



Consumer Electronics



Instrumentation



Telecommunication



Medical Equipment

# RoHS

## SPECIFICATIONS

**Electrical Rating:** 50mA @ 12VDC  
**Electrical Life:** 1,000,000 Cycles  
**Mechanical Life:** 1,000,000 Cycles  
**Contact Resistance:** 100mΩ Max. initial  
**Insulation Resistance:** 100M Ω at 500VDC  
**Dielectric Strength:** 250VAC for 1 min.  
**Operating Temperature:** -40°C to 85°C  
**Storage Temperature:** -40°C to 85°C  
**Operating Force:** 160 gf, 250 gf  
**Travel:** 0.25mm  
**Contact Arrangement:** SPST

## FEATURES & BENEFITS

- Multiple LED colors
- Surface mount
- Low profile

## PART NUMBER CONFIGURATOR

Series	Model	Actuator Option	Actuation Force	LED Color	Contact Material
TL	3215	A - 2.0mm	F160 - 160 gf F250 - 250 gf	N - None R - Red G - Green B - Blue Y - Yellow W - White	Q - Silver

Specifications subject to change without notice 7.2.2024



E-SWITCH®

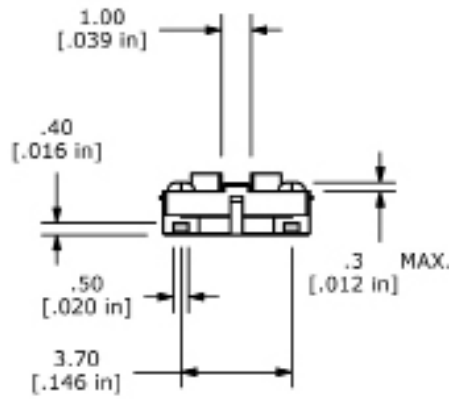
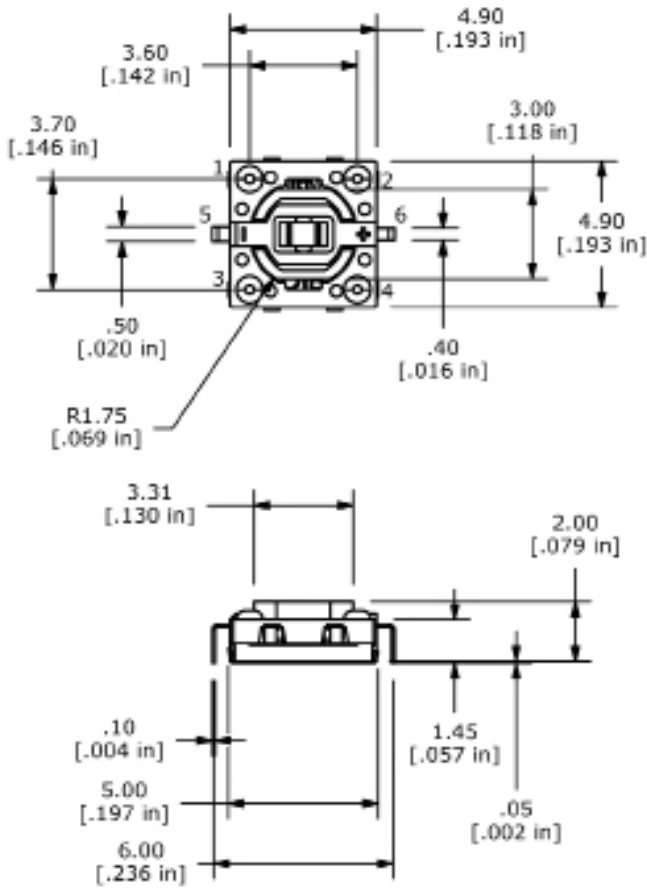
www.e-switch.com

800.867.2717

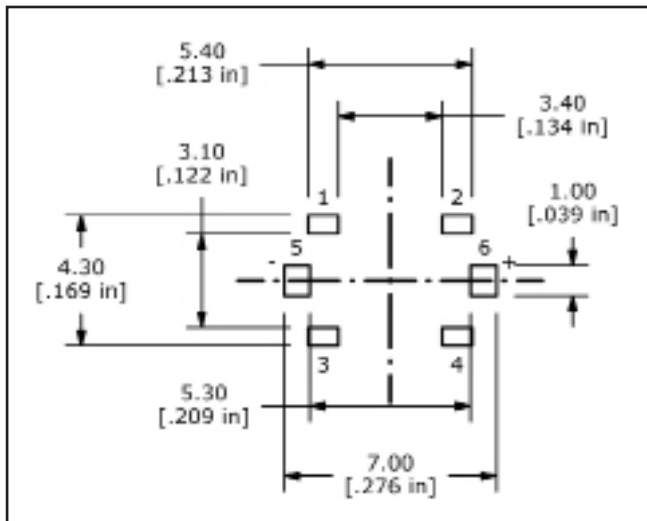
1

# TL3215 SERIES TACT SWITCH

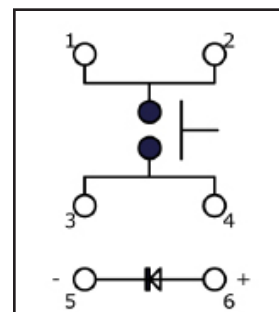
## BODY DIMENSIONS



LED Specifications			
LED Color	Forward Current (mA)	Forward Voltage (V @ 20mA)	Luminous Intensity (mcd)
Blue	20	3.0 typ - 3.6 max	100 typ
White	20	3.0 typ - 3.6 max	150 typ
Red	20	1.9 typ - 2.4 max	50 typ
Green	20	2.05 typ - 2.4 max	30 typ
Yellow	20	2.05 typ - 2.4 max	70 typ



PCB LAYOUT



SCHEMATIC

