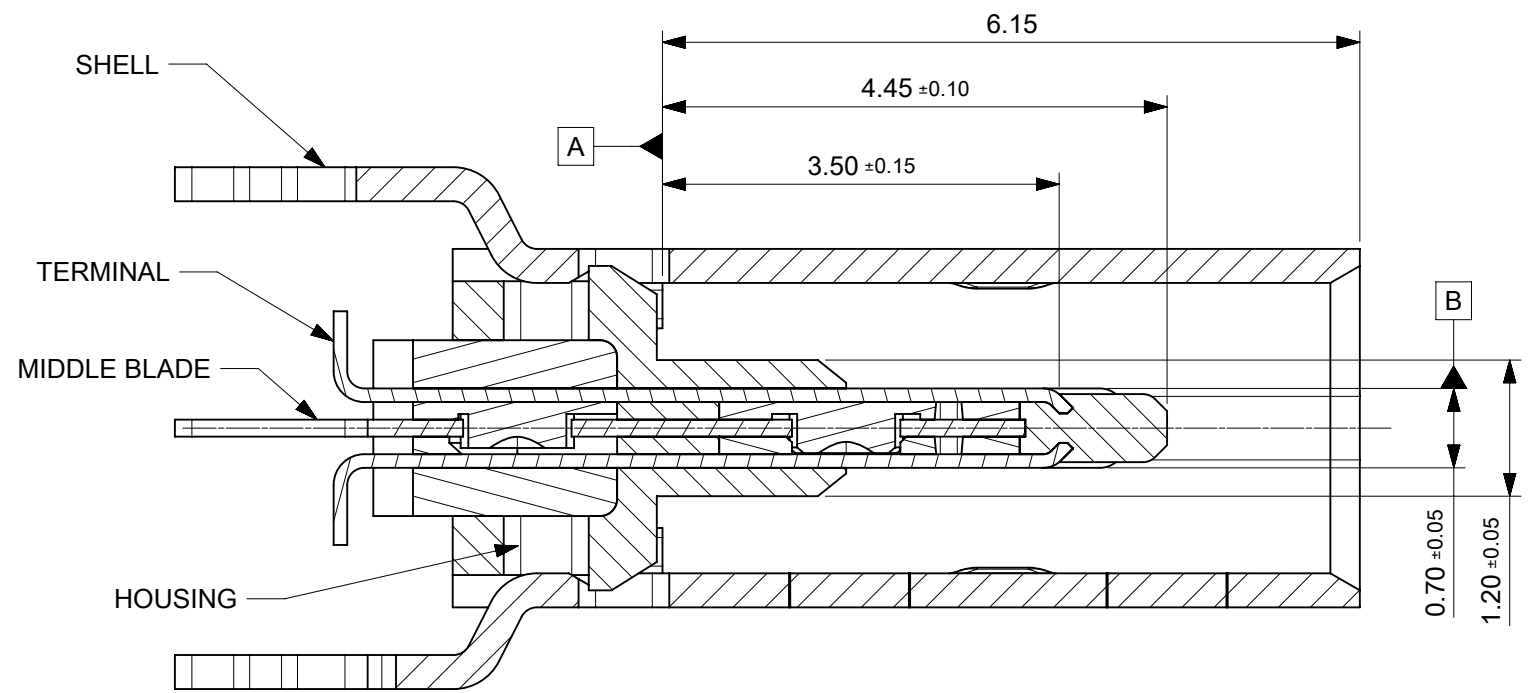
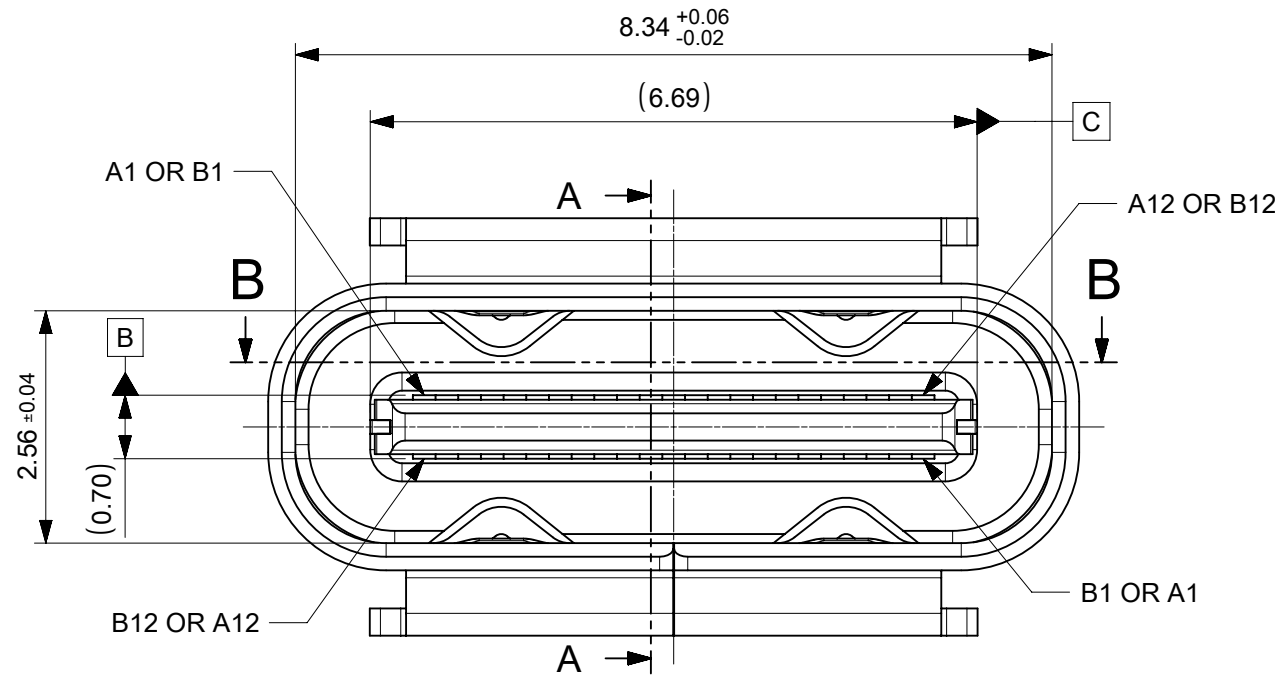
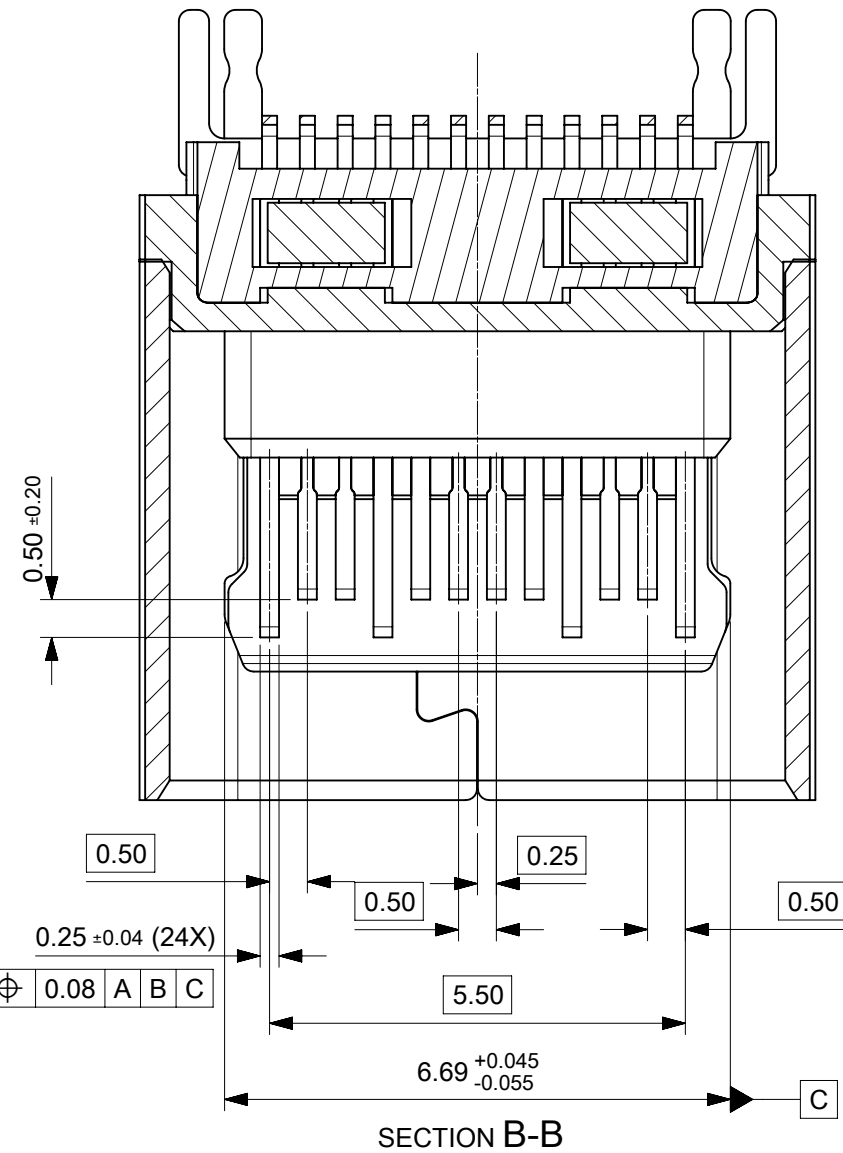


PART NO.	L
2047110001	1.4
2047110101	2.5

THIS DRAWING CONTAINS INFORMATION THAT IS PROPRIETARY TO MOLEX ELECTRONIC TECHNOLOGIES, LLC AND SHOULD NOT BE USED WITHOUT WRITTEN PERMISSION											
DIMENSION UNITS	SCALE	CURRENT REV DESC:									
mm	7:1										
GENERAL TOLERANCES (UNLESS SPECIFIED)		EC NO: 785877			VERTICAL USB TYPE C						
ANGULAR TOL ± 3.0°		DRWN: FYANG05 2024/05/13									
4 PLACES ±		CHK'D: RLI09 2024/05/13			PRODUCT CUSTOMER DRAWING						
3 PLACES ±		APPR: RLI09 2024/05/13									
2 PLACES ± 0.2		INITIAL REVISION:			DOCUMENT NUMBER: 2047110001						
1 PLACE ± 0.2		DRWN: RZHANG 2017/04/20								DOC TYPE: PSD	
0 PLACES ±		APPR: AYIN 2017/12/05			DOC PART: 000						
DRAFT WHERE APPLICABLE MUST REMAIN WITHIN DIMENSIONS		THIRD ANGLE PROJECTION		DRAWING: A3-SIZE						SERIES: 204711	
								REVISION: A4		SHEET NUMBER: 1 OF 3	



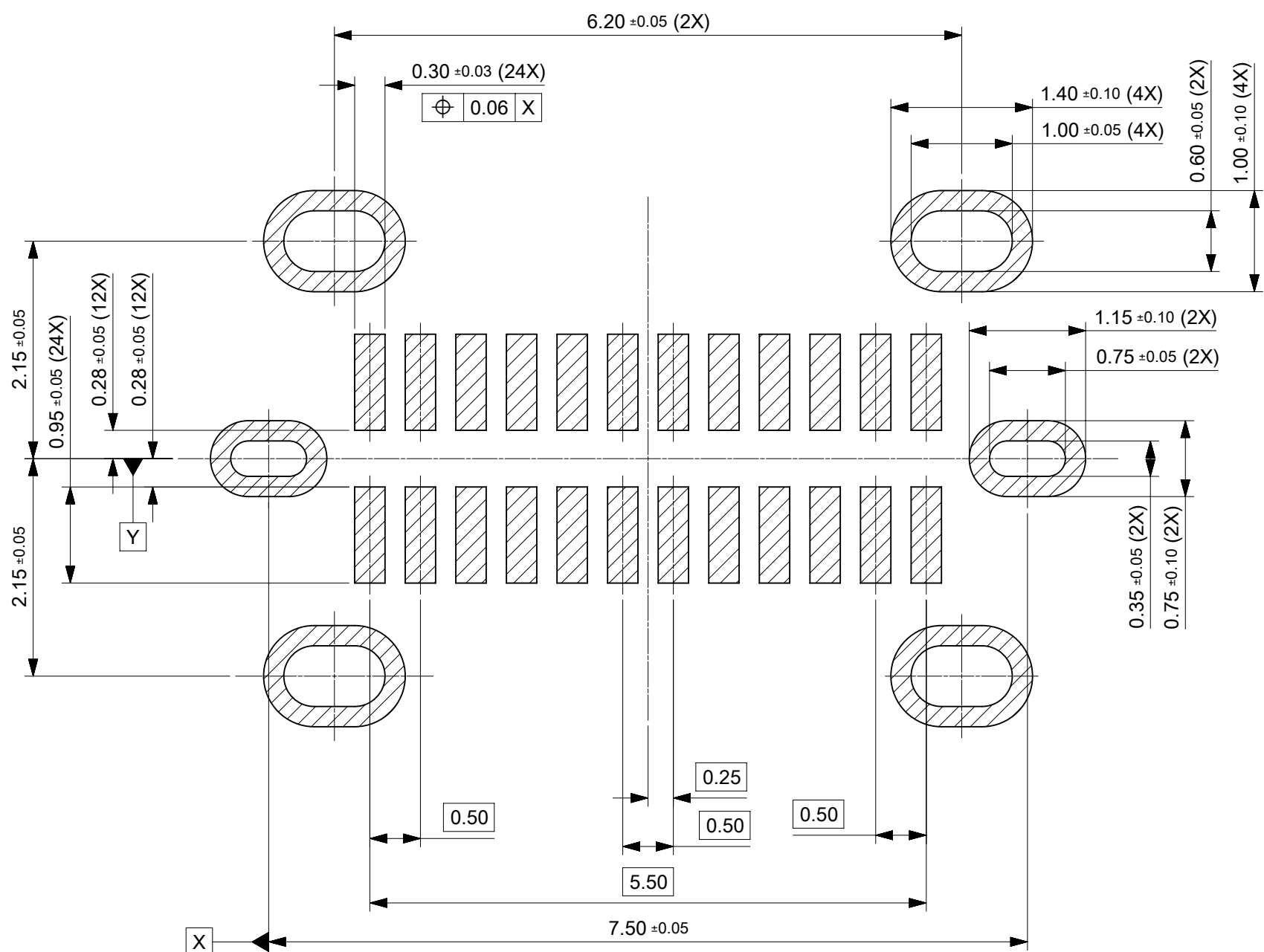
SECTION A-A



SECTION B-B

PIN ASSIGNMENT											
A1	A2	A3	A4	A5	A6	A7	A8	A9	A10	A11	A12
GND	TX1+	TX1-	Vbus	CC1	D+	D-	SBU1	Vbus	RX2-	RX2+	GND
GND	RX1+	RX1-	Vbus	SBU2	D-	D+	CC2	Vbus	TX2-	TX2+	GND
B12	B11	B10	B9	B8	B7	B6	B5	B4	B3	B2	B1

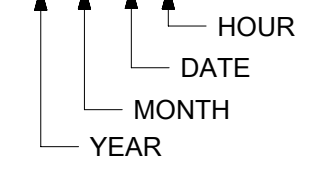
THIS DRAWING CONTAINS INFORMATION THAT IS PROPRIETARY TO MOLEX ELECTRONIC TECHNOLOGIES, LLC AND SHOULD NOT BE USED WITHOUT WRITTEN PERMISSION											
DIMENSION UNITS	SCALE	CURRENT REV DESC:									molex
mm	10:1										
GENERAL TOLERANCES (UNLESS SPECIFIED)											
ANGULAR TOL	± 3.0°	EC NO: 785877									VERTICAL USB TYPE C
4 PLACES	±	DRWN: FYANG05 2024/05/13									
3 PLACES	±	CHK'D: RLI09 2024/05/13									
2 PLACES	± 0.2	APPR: RLI09 2024/05/13									
1 PLACE	± 0.2	INITIAL REVISION:									PRODUCT CUSTOMER DRAWING
0 PLACES	±	DRWN: RZHANG 2017/04/20									
DRAFT WHERE APPLICABLE MUST REMAIN WITHIN DIMENSIONS		THIRD ANGLE PROJECTION	DRAWING	SERIES	MATERIAL NUMBER	CUSTOMER	DOCUMENT NUMBER		DOC TYPE	DOC PART	REVISION
			A3-SIZE	204711	SEE CHART		2047110001		PSD	000	A4
											SHEET NUMBER
											2 OF 3



RECOMMENDED PCB LAYOUT

NOTES:

1. MATERIAL,
HOUSING: HIGH TEMPERATURE THERMAL PLASTIC ,
30% GLASS FILLED, BLACK, UL94V-0.
TERMINAL: COPPER ALLOY
SHELL: STAINLESS STEEL
MIDDLE BLADE: STAINLESS STEEL
2. PLATING:
TERMINAL: CONTACT AREA: 0.76 MICROMETER MIN. GOLD PLATING
SOLDER TAIL: 0.05 MICROMETER MIN. GOLD PLATING
UNDER PLATING: 2.0 MICROMETER MIN. NICKEL PLATING OVERALL
SHELL: 1.25 MICRON MIN. SOLDERABLE NICKEL PLATING OVERALL
MIDDLE BLADE: 1.25 MICRON MIN. SOLDERABLE NICKEL PLATING OVERALL
3. PRODUCT SPEC REFER TO PS-105448-001
4. PACKAGE SPEC REFER TO 2047118888
5. COPLANARITY OF SMT PINS SOLDER TAIL IS 0.08 MAX. BEFORE REFLOW
AND 0.10 MAX. AFTER REFLOW
6. T/H SOLDER TAIL POSITION BE CONTROLLED BY GAUGE
7. PRODUCT COMPLANT TO ROHS DIERTIVE 2011/65/EU
AND ELV DIRECTIVE 2000/53/EC
8. DATE CODE XX XX XX XX



THIS DRAWING CONTAINS INFORMATION THAT IS PROPRIETARY TO MOLEX ELECTRONIC TECHNOLOGIES, LLC AND SHOULD NOT BE USED WITHOUT WRITTEN PERMISSION									
DIMENSION UNITS mm		SCALE 15:1		CURRENT REV DESC:				molex	
GENERAL TOLERANCES (UNLESS SPECIFIED)		EC NO: 785877		DRWN: FYANG05		2024/05/13			
ANGULAR TOL ± 3.0°		4 PLACES ±		CHK'D: RLI09		2024/05/13		VERTICAL USB TYPE C	
3 PLACES ±		2 PLACES ± 0.2		APPR: RLI09		2024/05/13		PRODUCT CUSTOMER DRAWING	
1 PLACE ± 0.2		0 PLACES ±		INITIAL REVISION:		DRWN: RZHANG		DOCUMENT NUMBER	
DRAFT WHERE APPLICABLE MUST REMAIN WITHIN DIMENSIONS		THIRD ANGLE PROJECTION		DRAWING		SERIES		MATERIAL NUMBER	
A3-SIZE		204711		SEE CHART		CUSTOMER		SHEET NUMBER	
2047110001		PSD		000		A4		3 OF 3	