



Load feeder fuseless, Direct-on-line starting 400 V AC, Size S2 49...59 A  
20 ... 33 V AC/DC screw terminal for installation on standard mounting rail  
(also fulfills type of coordination 1) Type of coordination 2, I<sub>q</sub> = 150 kA 1  
NO+1 NC (contactor) with circuit (integrated)

<b>product brand name</b>	SIRIUS
<b>product designation</b>	Direct (on-line) starter
<b>design of the product</b>	for standard rail or screw mounting
<b>product type designation</b>	3RA21
<b>manufacturer's article number</b>	
• of the supplied contactor	3RT2037-1NB30
• of the supplied circuit-breakers	3RV2032-4XA10
• of the supplied link module	3RA2931-1AA00
<b>General technical data</b>	
<b>size of the circuit-breaker</b>	S2
<b>size of load feeder</b>	S2
insulation voltage with degree of pollution 3 at AC rated value	690 V
<b>surge voltage resistance rated value</b>	6 kV
shock resistance acc. to IEC 60068-2-27	6g / 11 ms
mechanical service life (switching cycles) of contactor typical	10 000 000
<b>type of assignment</b>	2
<b>type of protection according to ATEX directive 2014/34/EU</b>	Ex II (2) GD
certificate of suitability according to ATEX directive 2014/34/EU	DMT 02 ATEX F 001
Substance Prohibition (Date)	01.03.2017 00:00:00
<b>Ambient conditions</b>	
• ambient temperature during operation	-20 ... +60 °C
• ambient temperature during storage	-50 ... +80 °C
• ambient temperature during transport	-50 ... +80 °C
<b>temperature compensation</b>	-20 ... +60 °C
relative humidity during operation	10 ... 95 %
<b>Main circuit</b>	
<b>number of poles for main current circuit</b>	3
<b>design of the switching contact</b>	electromechanical
<b>adjustable current response value current of the current-dependent overload release</b>	49 ... 59 A
• operating voltage rated value	690 V
• operating voltage at AC-3 rated value maximum	690 V
<b>operating frequency rated value</b>	50 ... 60 Hz
operational current at AC-3 at 400 V rated value	59 A

operating power at AC-3			
• at 230 V rated value	18 500 W		
• at 400 V rated value	30 000 W		
<b>Control circuit/ Control</b>			
<b>type of voltage of the control supply voltage</b>	AC/DC		
<b>control supply voltage at AC</b>			
• at 50 Hz rated value	20 ... 33 V		
• at 60 Hz rated value	20 ... 33 V		
<b>control supply voltage at DC</b>			
• rated value	20 ... 33 V		
<b>inductive power factor with the holding power of the coil</b>	1		
<b>holding power of magnet coil at DC</b>	1 W		
<b>Auxiliary circuit</b>			
<b>product extension auxiliary switch</b>	Yes		
<b>Protective and monitoring functions</b>			
<b>trip class</b>	CLASS 10		
<b>design of the overload release</b>	thermal (bimetallic)		
response value current of instantaneous short-circuit trip unit	845 A		
<b>Short-circuit protection</b>			
<b>product function short circuit protection</b>	Yes		
<b>design of the short-circuit trip</b>	magnetic		
<b>conditional short-circuit current (I<sub>q</sub>)</b>			
• at 400 V acc. to IEC 60947-4-1 rated value	150 000 A		
<b>Installation/ mounting/ dimensions</b>			
<b>mounting position</b>	vertical, horizontal		
<b>fastening method</b>	Screw-fixing and snap-on mounting to two 35 mm standard mounting rails		
<b>height</b>	274 mm		
<b>width</b>	55 mm		
<b>depth</b>	150 mm		
<b>required spacing</b>			
• for grounded parts			
— forwards	32 mm		
— backwards	0 mm		
— upwards	50 mm		
— at the side	10 mm		
— downwards	10 mm		
• for live parts			
— forwards	32 mm		
— backwards	0 mm		
— upwards	50 mm		
— downwards	10 mm		
— at the side	10 mm		
<b>Connections/ Terminals</b>			
<b>type of electrical connection</b>			
• for main current circuit	screw-type terminals		
<b>Safety related data</b>			
<b>touch protection on the front acc. to IEC 60529</b>	finger-safe, for vertical contact from the front		
<b>Certificates/ approvals</b>			
<b>General Product Approval</b>	<b>For use in hazardous locations</b>	<b>Declaration of Conformity</b>	<b>Test Certificates</b>



[Special Test Certificate](#)

Test Certificates

Marine / Shipping

[Type Test Certificates/Test Report](#)



Marine / Shipping

other

Railway



[Confirmation](#)

[Vibration and Shock](#)

Further information

Information- and Downloadcenter (Catalogs, Brochures,...)

<https://www.siemens.com/ic10>

Industry Mall (Online ordering system)

<https://mall.industry.siemens.com/mall/en/en/Catalog/product?mlfb=3RA2150-4XA37-0NB3>

Cax online generator

<http://support.automation.siemens.com/WW/CAXorder/default.aspx?lang=en&mlfb=3RA2150-4XA37-0NB3>

Service&Support (Manuals, Certificates, Characteristics, FAQs,...)

<https://support.industry.siemens.com/cs/ww/en/ps/3RA2150-4XA37-0NB3>

Image database (product images, 2D dimension drawings, 3D models, device circuit diagrams, EPLAN macros, ...)

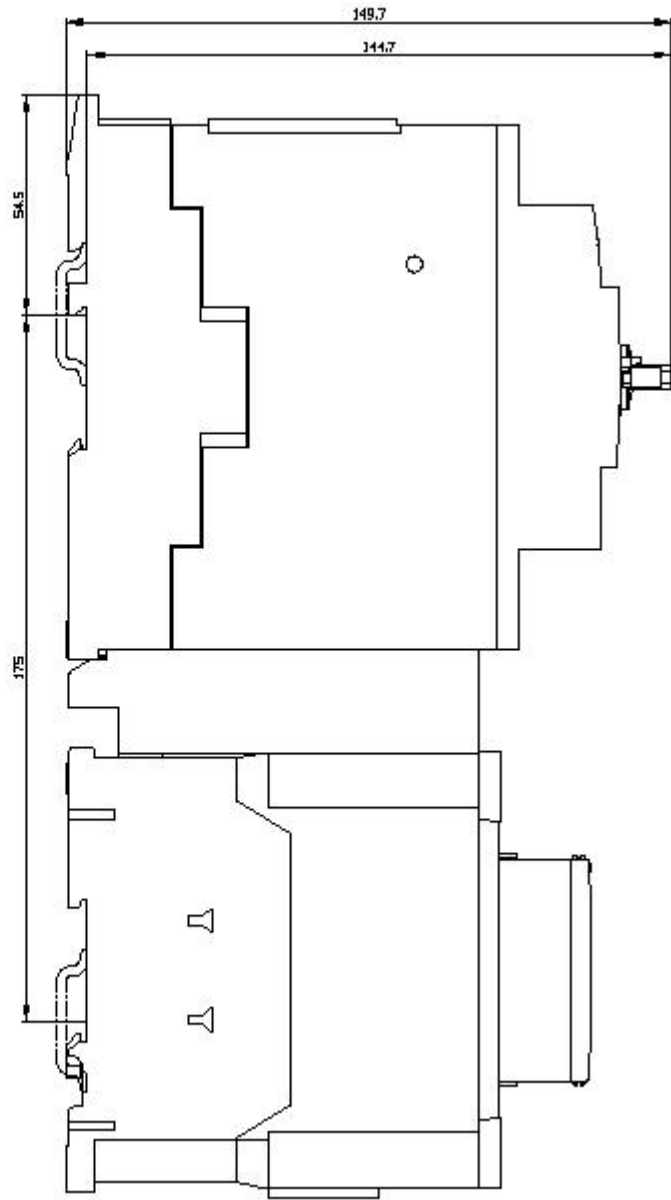
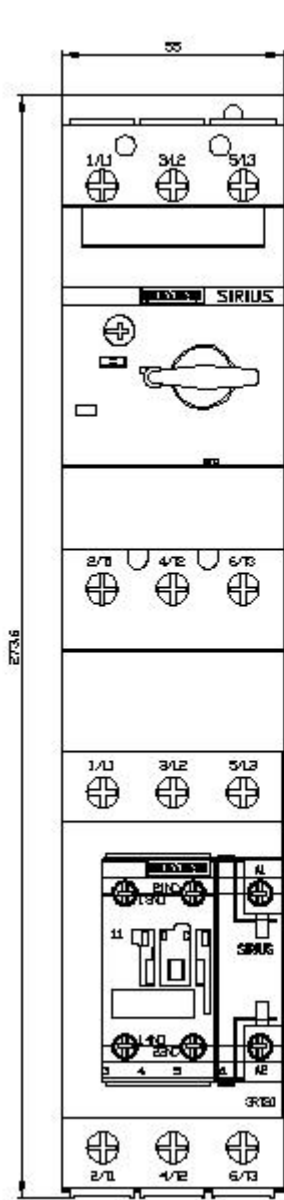
[http://www.automation.siemens.com/bilddb/cax\\_de.aspx?mlfb=3RA2150-4XA37-0NB3&lang=en](http://www.automation.siemens.com/bilddb/cax_de.aspx?mlfb=3RA2150-4XA37-0NB3&lang=en)

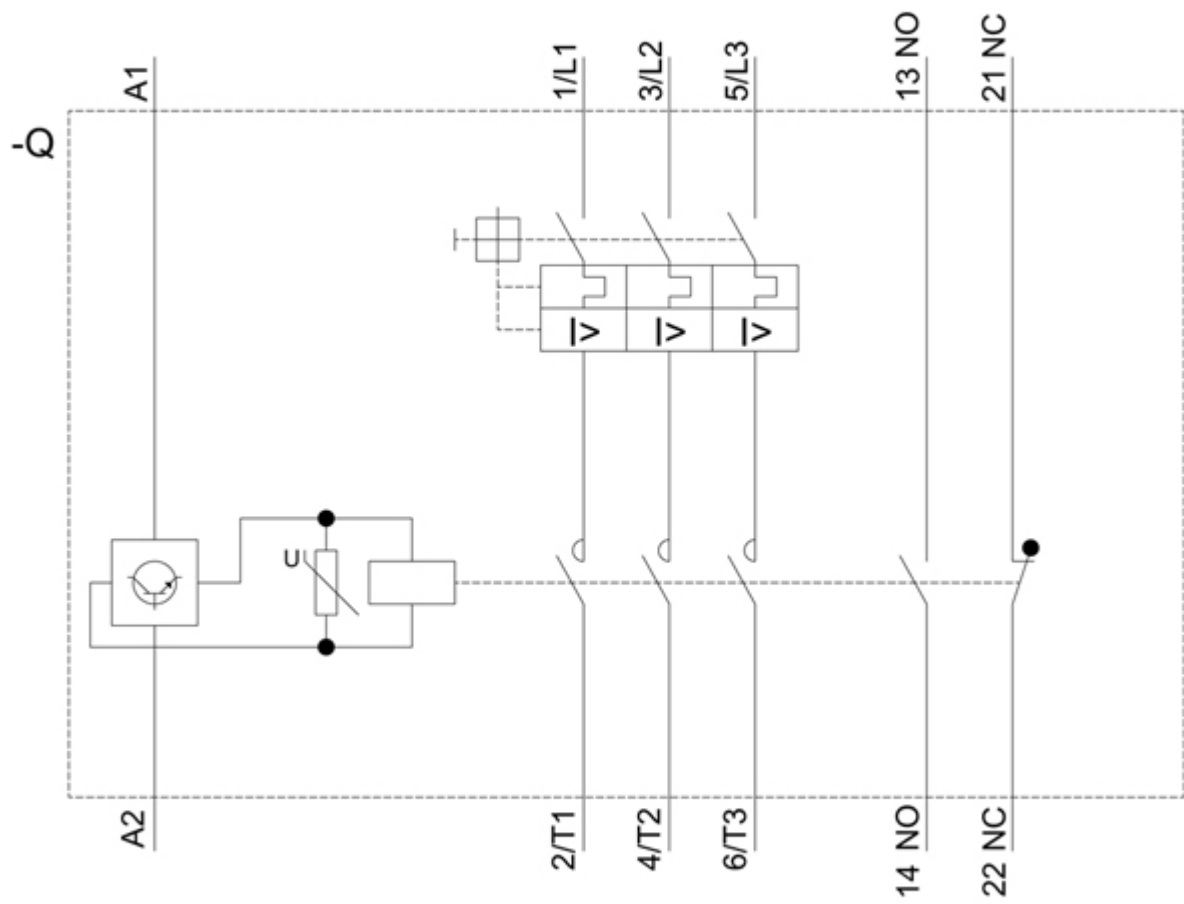
Characteristic: Tripping characteristics, I<sup>t</sup>, Let-through current

<https://support.industry.siemens.com/cs/ww/en/ps/3RA2150-4XA37-0NB3/char>

Further characteristics (e.g. electrical endurance, switching frequency)

<http://www.automation.siemens.com/bilddb/index.aspx?view=Search&mlfb=3RA2150-4XA37-0NB3&objecttype=14&gridview=view1>





last modified:

12/15/2020 