

# UEGM 40/2 - Electronics housing

2792028

<https://www.phoenixcontact.com/us/products/2792028>

Please be informed that the data shown in this PDF document is generated from our online catalog. Please find the complete data in the user documentation. Our general terms of use for downloads are valid.

Electronic housing, fully equipped with 6 screw connections per side for two PCBs



## Commercial data

Item number	2792028
Packing unit	10 pc
Minimum order quantity	1 pc
Sales key	AC11
Product key	ACHCCB
Catalog page	Page 725 (C-1-2013)
GTIN	4017918072537
Weight per piece (including packing)	80.13 g
Weight per piece (excluding packing)	80.13 g
Customs tariff number	85369010
Country of origin	DE

## Technical data

### Product properties

Product type	Complete housing
Housing type	Component housing
Housing series	UEG
Product family	UEGM
Type	Connection system integrated, housing closed
Number of positions	12
Pitch	5 mm
Number of rows	1
Type	Complete housing equipped with 6 screw connections per side, for two printed-circuit boards each
Pin layout	Linear pinning

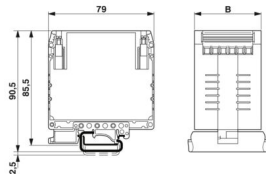
### Electrical properties

Nominal voltage $U_N$	500 V (Voltage and current values are affected by the configuration of the printed circuit board.)
Nominal current $I_N$	10 A

### Connection data

Connection method	Screw connection
-------------------	------------------

### Dimensions

Dimensional drawing	
Width	40 mm
Installed height	85.5 mm
Height NS 35/7,5	85.5 mm
Depth	79 mm
Length	79 mm
Pitch	5 mm

### Material specifications

Color (Housing)	green (RAL 6021)
Flammability rating according to UL 94	V2
Housing material	Polyamide
Surface characteristics	untreated

### Environmental and real-life conditions

# UEGM 40/2 - Electronics housing

2792028

<https://www.phoenixcontact.com/us/products/2792028>



## Ambient conditions

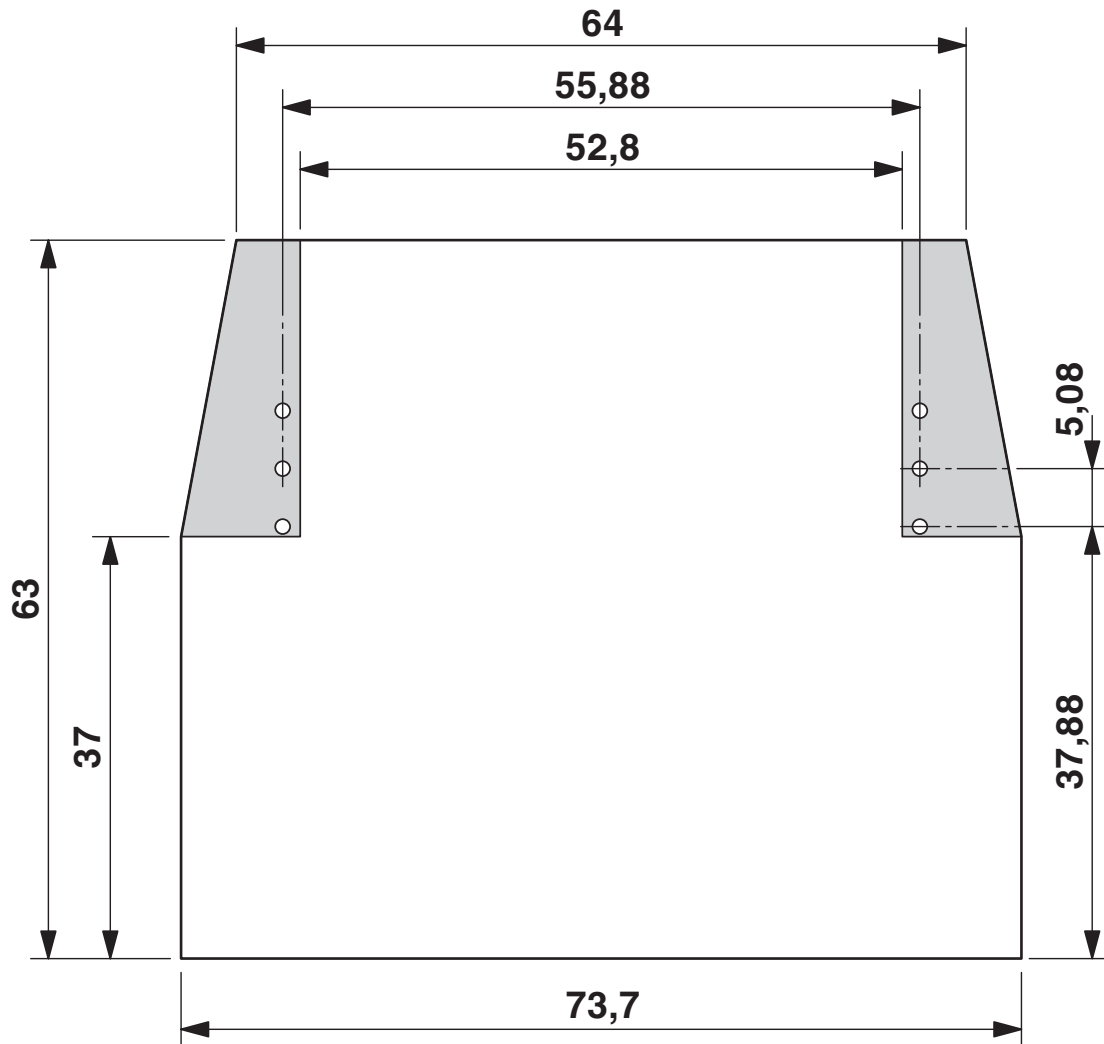
Ambient temperature (operation)	-40 °C ... 105 °C
---------------------------------	-------------------

## Mounting

Mounting type	DIN rail mounting
Pin layout	Linear pinning

Drawings

Dimensional drawing



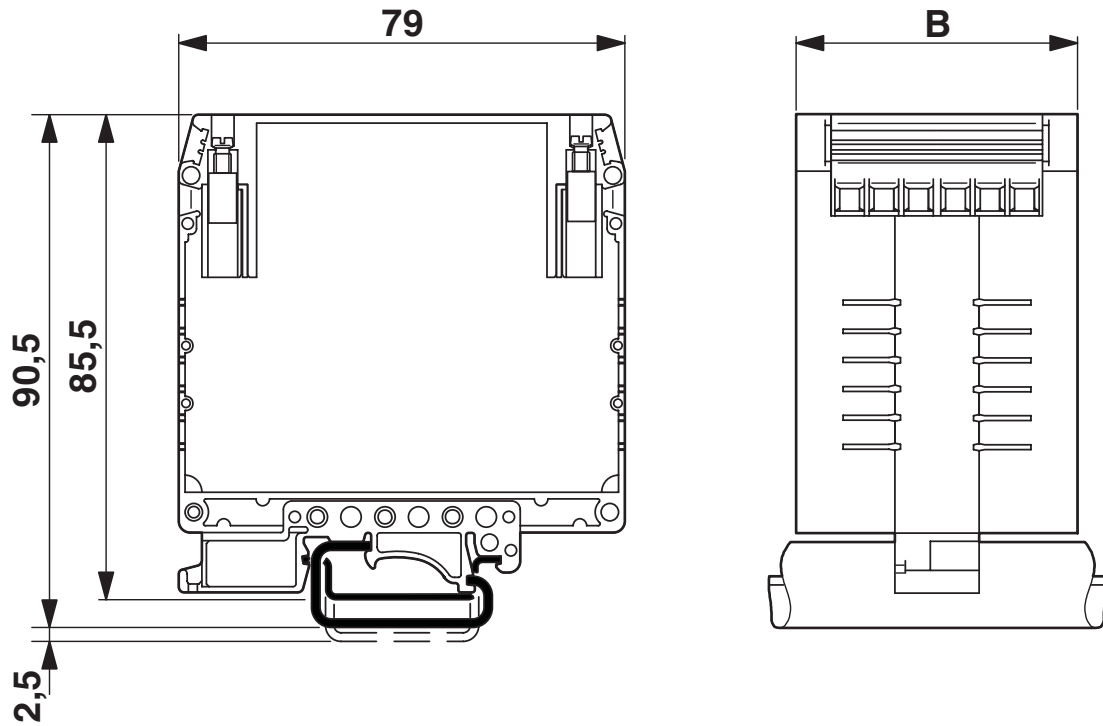
# UEGM 40/2 - Electronics housing

2792028

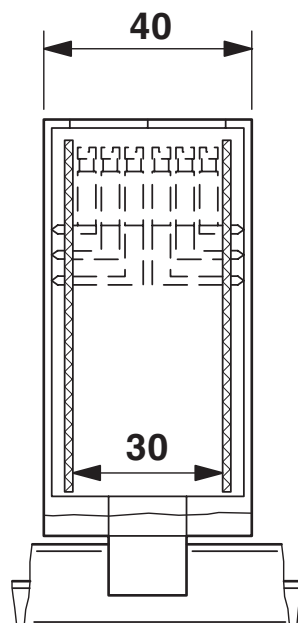
<https://www.phoenixcontact.com/us/products/2792028>



Dimensional drawing



Dimensional drawing



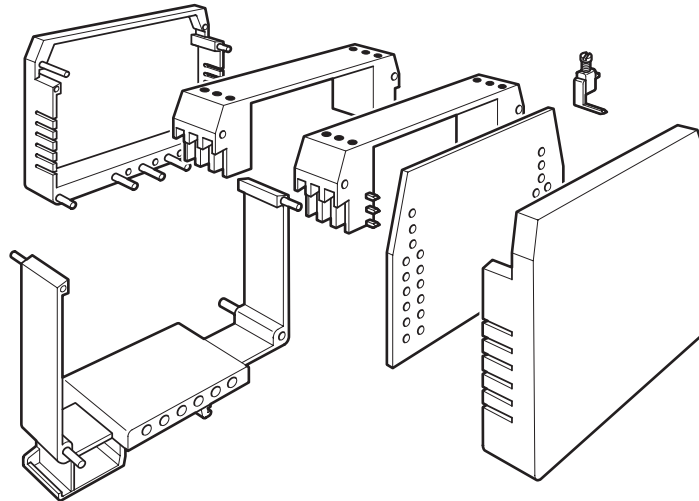
# UEGM 40/2 - Electronics housing

2792028

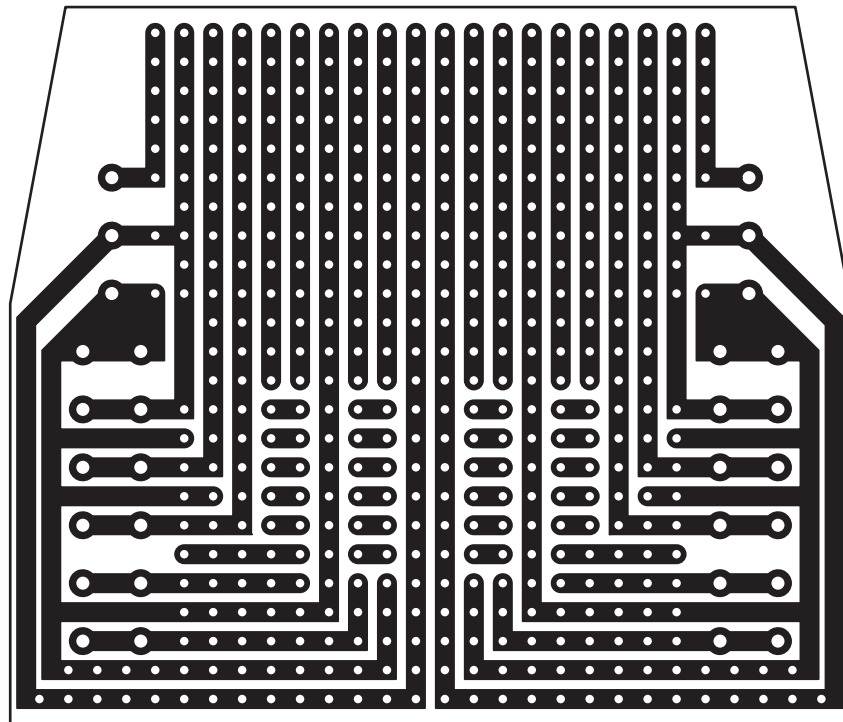
<https://www.phoenixcontact.com/us/products/2792028>



Exploded view



Schematic diagram



# UEGM 40/2 - Electronics housing




2792028

<https://www.phoenixcontact.com/us/products/2792028>

## Approvals

To download certificates, visit the product detail page: <https://www.phoenixcontact.com/us/products/2792028>

 <b>cULus Recognized</b> Approval ID: E60425-19770427	Nominal voltage $U_N$	Nominal current $I_N$	Cross section AWG	Cross section $\text{mm}^2$
	300 V	10 A	30 - 12	-

# UEGM 40/2 - Electronics housing

2792028

<https://www.phoenixcontact.com/us/products/2792028>



## Classifications

### ECLASS

ECLASS-11.0	27182702
ECLASS-13.0	27190501

### ETIM

ETIM 9.0	EC001031
----------	----------

### UNSPSC

UNSPSC 21.0	31261500
-------------	----------



## Environmental product compliance

### EU RoHS

Fulfills EU RoHS substance requirements	Yes, No exemptions
---	--------------------

### China RoHS

Environment friendly use period (EFUP)	EFUP-50
	An article-related China RoHS declaration table can be found in the download area for the respective article under "Manufacturer declaration". For all articles with EFUP-E, no China RoHS declaration table issued and required.

### EU REACH SVHC

REACH candidate substance (CAS No.)	No substance above 0.1 wt%
-------------------------------------	----------------------------