



**AMPLIMITE**

TE Internal #: 205201-5

Socket Contact, Gold, Snap-In Contact Retention, Size 20 Contact Size, 24 – 20 AWG Wire Size, .2 – .6 mm<sup>2</sup> Wire Size, Crimp, Copper Alloy, Signal

[View on TE.com >](#)

Connectors > Contacts > Connector Contacts > D-Sub Conn Contacts: Socket, Copper Alloy, Signal, Size 20



Contact Type: **Socket**

Contact Mating Area Plating Material: **Gold**

Contact Retention Type Within Housing: **Snap-In**

Contact Size: **Size 20**

Wire Size: **24 – 20 AWG**

[All D-Sub Conn Contacts: Socket, Copper Alloy, Signal, Size 20 \(5\)](#)

**Features**

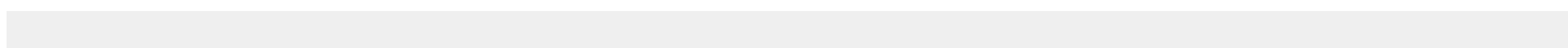
**Contact Features**

	30 µin
Contact Underplating Material	Nickel
PCB Contact Termination Area Plating Material	Gold Flash
Contact Type	Socket
Contact Mating Area Plating Material	Gold
Contact Size	Size 20
Contact Base Material	Copper Alloy
Contact Current Rating (Max)	2 A

**Termination Features**

Termination Method to Wire & Cable	Crimp
Product Terminates To	Wire & Cable

**Mechanical Attachment**





Wire Insulation Support	Without
-------------------------	---------

Contact Retention Type Within Housing	Snap-In
---------------------------------------	---------

### Dimensions

	.068 in
--	---------

Wire Size	.2 – .6 mm <sup>2</sup>
-----------	-------------------------

### Usage Conditions

Operating Temperature Range	-55 – 105 °C[-67 – 221 °F]
-----------------------------	----------------------------

### Operation/Application

Circuit Application	Signal
---------------------	--------

### Identification Marking

Contact Color Code	Red
--------------------	-----

### Packaging Features

Packaging Quantity	1000
--------------------	------

Packaging Method	Loose Piece
------------------	-------------

### Product Compliance

[For compliance documentation, visit the product page on TE.com>](#)

EU RoHS Directive 2011/65/EU	Compliant
------------------------------	-----------

EU ELV Directive 2000/53/EC	Compliant
-----------------------------	-----------

China RoHS 2 Directive MIIT Order No 32, 2016	No Restricted Materials Above Threshold
---	---

EU REACH Regulation (EC) No. 1907/2006	Current ECHA Candidate List: JUNE 2024 (241) Candidate List Declared Against: JUNE 2024 (241) Does not contain REACH SVHC
--	---

Halogen Content	Low Halogen - Br, Cl, F, I < 900 ppm per homogenous material. Also BFR/CFR/PVC Free
-----------------	---

Solder Process Capability	Not applicable for solder process capability
---------------------------	--

#### Product Compliance Disclaimer

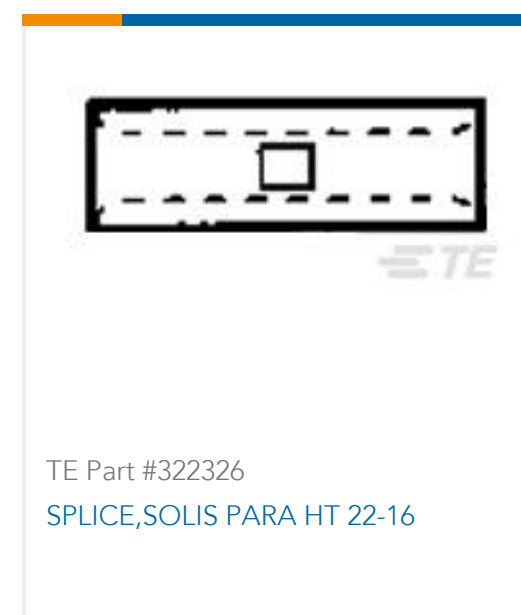
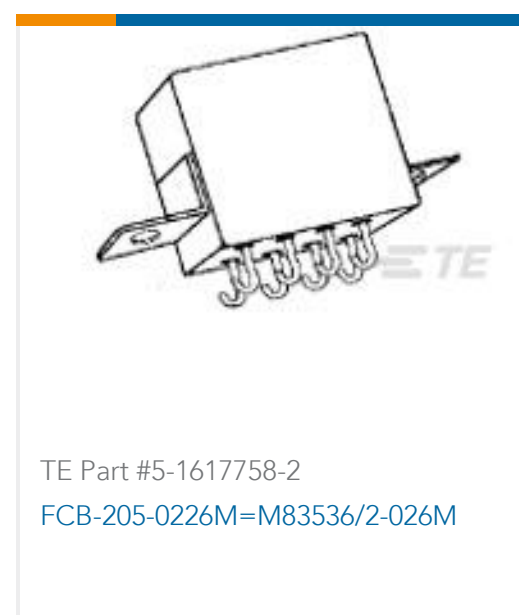
This information is provided based on reasonable inquiry of our suppliers and represents our current actual knowledge based on the information they provided. This information is subject to change. The part numbers that TE has identified as EU RoHS compliant have a maximum concentration of 0.1% by weight in homogenous materials for lead, hexavalent chromium, mercury, PBB, PBDE, DBP, BBP, DEHP, DIBP, and 0.01% for cadmium, or qualify for an exemption to these limits as defined in the Annexes of Directive 2011/65/EU (RoHS2). Finished electrical and electronic equipment products will be CE marked as required by Directive 2011/65/EU. Components may not be CE marked. Additionally, the part numbers that TE has identified as EU ELV compliant have a maximum concentration of 0.1% by weight in homogenous materials for lead, hexavalent chromium, and mercury, and 0.01% for cadmium, or qualify for an exemption to these limits

as defined in the Annexes of Directive 2000/53/EC (ELV). Regarding the REACH Regulation, the information TE provides on SVHC in articles for this part number is based on the latest European Chemicals Agency (ECHA) 'Guidance on requirements for substances in articles' posted at this URL: <https://echa.europa.eu/guidance-documents/guidance-on-reach>

## Compatible Parts



## Customers Also Bought



## Documents

**Product Drawings**  
SOCKET CONT. 20 DF

English



---

### CAD Files

#### 3D PDF

3D

#### Customer View Model

[ENG\\_CVM\\_CVM\\_205201-5\\_CG.2d\\_dxf.zip](#)

English

#### Customer View Model

[ENG\\_CVM\\_CVM\\_205201-5\\_CG.3d\\_igs.zip](#)

English

#### Customer View Model

[ENG\\_CVM\\_CVM\\_205201-5\\_CG.3d\\_stp.zip](#)

English

By downloading the CAD file I accept and agree to the [Terms and Conditions](#) of use.

---

### Datasheets & Catalog Pages

#### Signal Contacts

English

---

### Product Specifications

#### Application Specification

English

#### Application Specification

English

---

### Instruction Sheets

#### Instruction Sheet (U.S.)

English