

SSRMP-480D16R ✓ ACTIVE

Potter & Brumfield SSRMP Mini-Puck

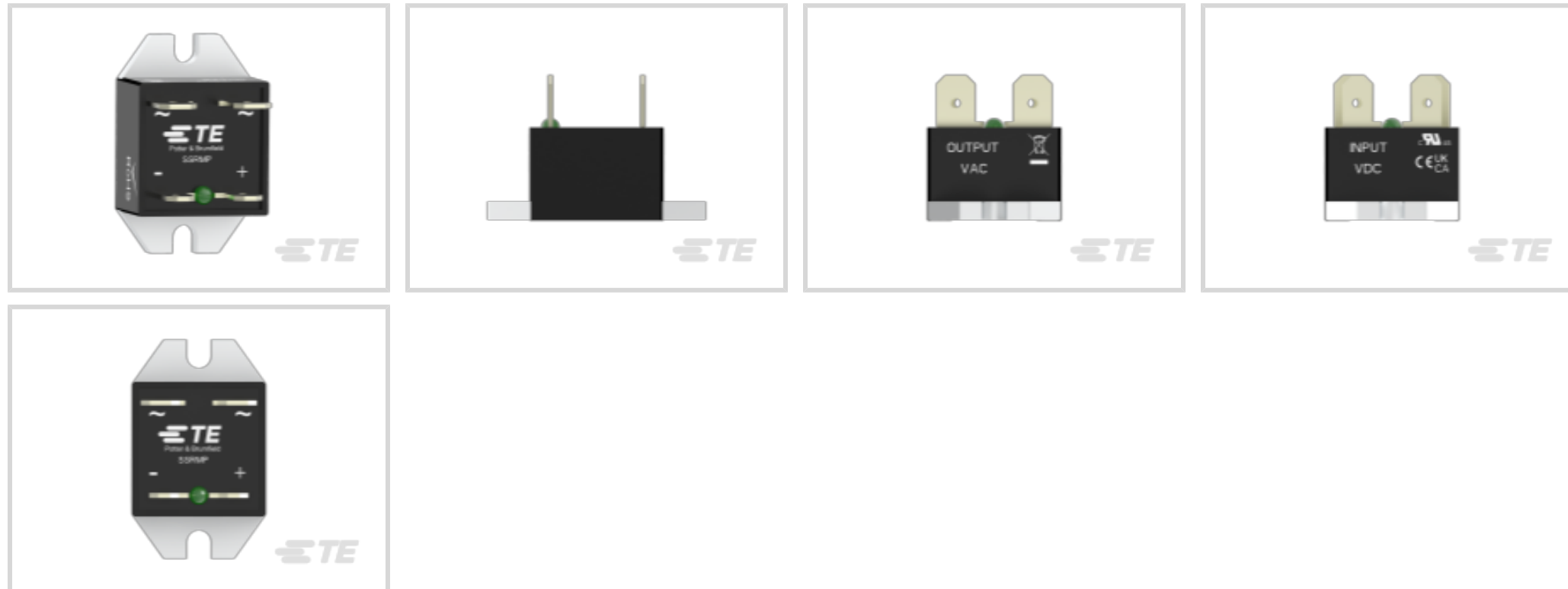
TE Internal #: 1-2323802-2

DC Input Solid State Relay, 1 Form A SPST-NO, 4 – 32 VDC Input, 48 – 480 Vrms Output, AC Output, Panel, Black, Potter & Brumfield SSRMP Mini-Puck

[View on TE.com >](#)



Relays & Contactors > Solid State Relays



Contact Arrangement: 1 Form A SPST-NO

Input Current Type: DC

Input Voltage: 4 – 32 VDC

Output Voltage Rating: 48 – 480 Vrms

Output Switching: Random

Features

Configuration Features

Contact Arrangement	1 Form A SPST-NO
---------------------	------------------

Electrical Characteristics

Input Voltage	4 – 32 VDC
Output Voltage Rating	48 – 480 Vrms

Body Features

Primary Product Color	Black
Product Weight	18.3 g[.65 oz]

Termination Features

Relay Connection Type	Terminals
Terminal Configuration	Quick Connect Terminals

Mechanical Attachment

Product Mounting Feature Type	Flange with Mounting Slots
Product Mount Type	Panel

Dimensions

Product Length	35.5 mm[1.39 in]
Product Width	21.8 mm[.858 in]
Product Height	23.5 mm[.925 in]

Usage Conditions

Operating Temperature Range	-30 – 80 °C[-22 – 176 °F]
-----------------------------	---------------------------

Operation/Application

Input Current Type	DC
Output Switching	Random
Output Current Type	AC

Product Compliance

For compliance documentation, visit the product page on [TE.com](#)>

EU RoHS Directive 2011/65/EU	Compliant
EU ELV Directive 2000/53/EC	Compliant
China RoHS 2 Directive MIIT Order No 32, 2016	No Restricted Materials Above Threshold
EU REACH Regulation (EC) No. 1907/2006	Current ECHA Candidate List: JUNE 2024 (241) Candidate List Declared Against: JUNE 2023 (235) Does not contain REACH SVHC
Halogen Content	Low Halogen - Br, Cl, F, I < 900 ppm per homogenous material. Also BFR/CFR/PVC Free
Solder Process Capability	Not reviewed for solder process capability

Product Compliance Disclaimer

This information is provided based on reasonable inquiry of our suppliers and represents our current actual knowledge based on the information they provided. This information is subject to change. The part numbers that TE has identified as EU RoHS compliant have a maximum concentration of 0.1% by weight in homogenous materials for lead, hexavalent chromium, mercury, PBB, PBDE, DBP, BBP, DEHP, DIBP, and 0.01% for cadmium, or qualify for an exemption to these limits as defined in the Annexes of Directive 2011/65/EU (RoHS2). Finished electrical and electronic equipment products will be CE marked as required by Directive 2011/65/EU. Components may not be CE marked. Additionally, the part numbers that TE has identified as EU ELV compliant have a maximum concentration of 0.1% by weight in homogenous materials for lead, hexavalent chromium, and mercury, and 0.01% for cadmium, or qualify for an exemption to these limits as defined in the Annexes of Directive 2000/53/EC (ELV). Regarding the REACH Regulation, the information TE provides on SVHC in articles for this part number is based on the latest European Chemicals Agency (ECHA) 'Guidance on requirements for substances in articles' posted at this URL: <https://echa.europa.eu/guidance-documents/guidance-on-reach>

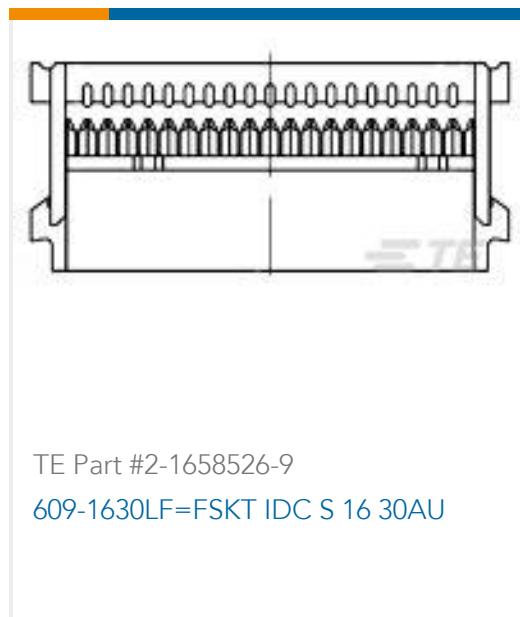
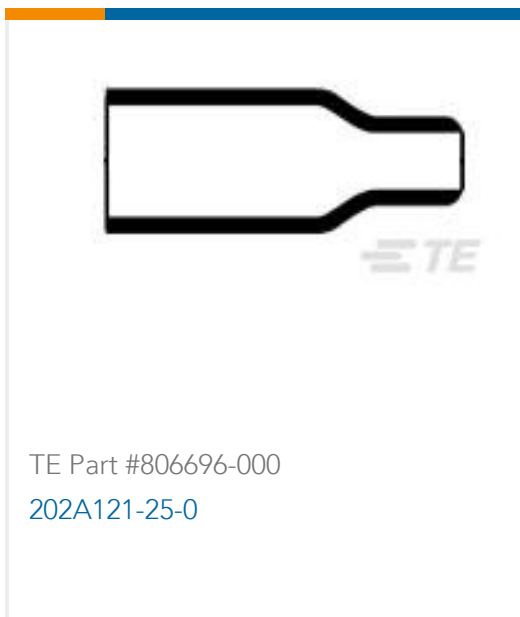
Compatible Parts



Also in the Series | **Potter & Brumfield SSRMP Mini-Puck**



Customers Also Bought





Documents

CAD Files

3D PDF

3D

Customer View Model

[ENG_CVM_CVM_1-2323802-2_A.2d_dxf.zip](#)

English

Customer View Model

[ENG_CVM_CVM_1-2323802-2_A.3d_igs.zip](#)

English

Customer View Model

[ENG_CVM_CVM_1-2323802-2_A.3d_stp.zip](#)

English

By downloading the CAD file I accept and agree to the [Terms and Conditions](#) of use.

Datasheets & Catalog Pages

Flyer - P&B Solid State Relay SSRMP Mini Puck Series

English

SSRMP_Datasheet

English

Agency Approvals

UKCA_CERT_N84_00006_C1

English