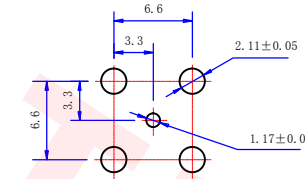
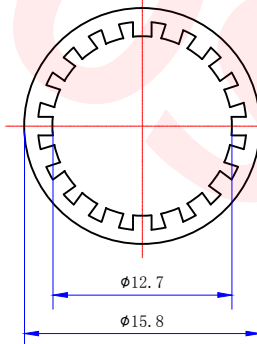
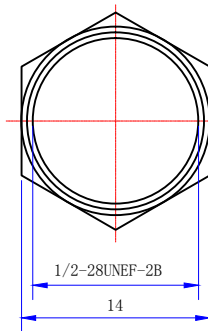
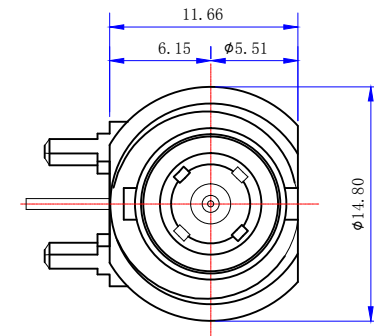
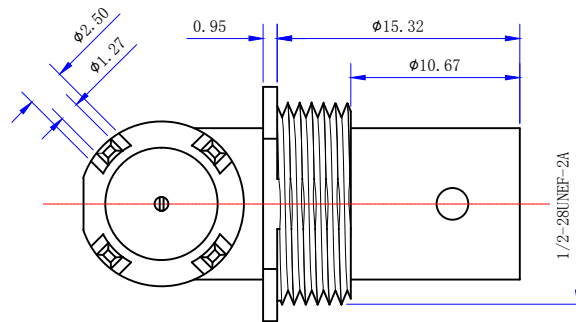
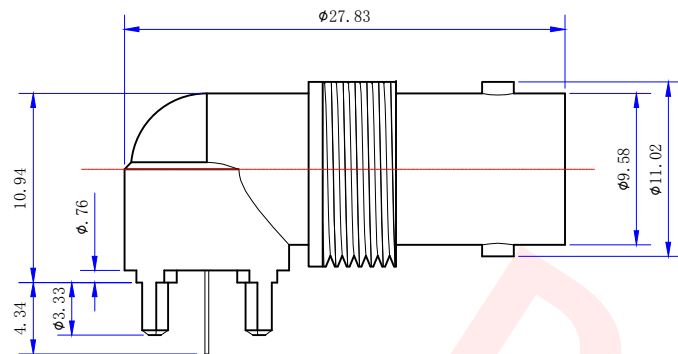
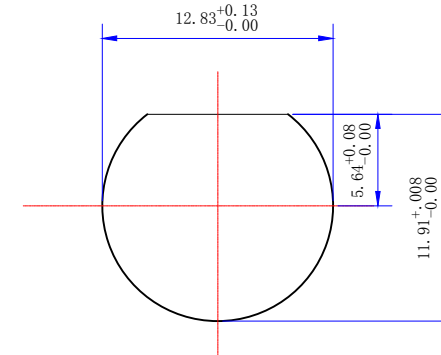




Product NO.		DOSIN-801-0083		
REV	DESCRIPTION	DWN	DATE	APPROVEN
A	First issue	JIM	2012/11/02	John kine



PCB HOLE CONFIGURATION  
RECOMMENDED PANEL CUTOUTS



### Specifications

Impedance: 50 Ohms

Frequency Range: DC~3G

VSWR: 1.3MAX

Working Voltage: 500V rms @ sea level

Insulation Resistance: 5000 Ohms min

Temperature Range: -55°C TO +155°C

Relative Temperature: ≤95%(40° C±2° C)

Drawings products are in line with ROHS standards

NOTE:

Tolerance

0-6	±0.15
6-30	±0.20
30-120	±0.5
Angular	±2°



Dosin Industrial(H.K)Co.Ltd

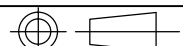
东莞市德索五金电子制品有限公司

Dosin Hardware Electronics Co.,Ltd

E-mail:dosin2005@163.com  
dosin2005@dosing-china.com  
Web:http://www.dosinconn.com  
TEL:(0086)769-81153906  
FAX:(0086)769-81875836

DRAWN 2012/11/10  
Zelin. Zhang

View



Name: BNC CONNECTOR DNN

CHECKED

UNIT

MM

SIZE A Product NO. DOSIN-801-0083 REV B

APPROVALS John 12/04.2012

SCALE

1:1

DateTime 2012/11/02 CAD FILE D/company drawings/BD SHEET: 1 OF 1

3	BODY	ZINC	NICKEL	1
2	INSULATOR	POM	WHITE	1
1	PIN	BRASS	GOLD	1
NO	DESCRIPTION	MATERIAL	FINISH	QTY