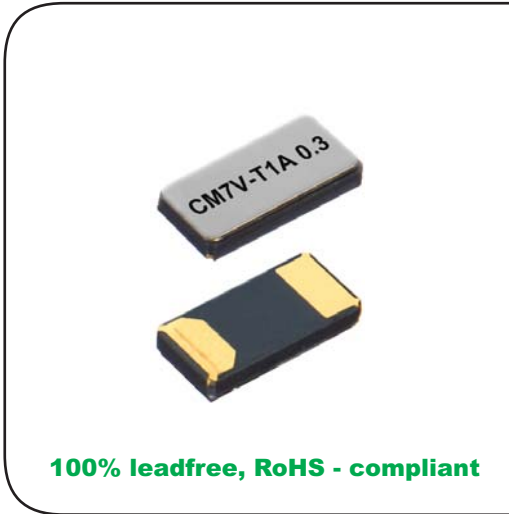
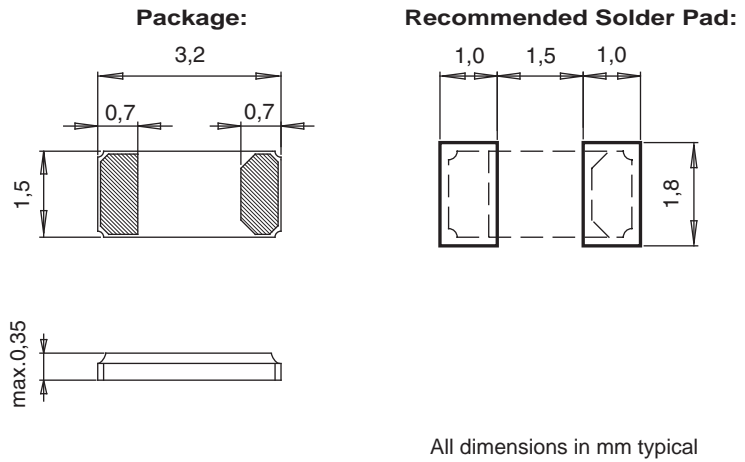


# CM7V-T1A 0.3

## Tuning Fork Crystal 32.768 kHz



### DIMENSIONS



**Lowest profile SMT ceramic pack.**  
**Ultra low profile: 0.35 mm height**  
**SMD-package in Tape and Reel**  
**Ind. and Ext. temperature ranges**  
**High stability**  
**Low aging**  
**Low power consumption**  
**High shock and vibration resistance**

### DESCRIPTION:

This SMD ceramic package has been specially designed for ultra low profile telecom and smart-card applications. A special crystal manufacturing process is used to achieve improved electrical characteristics and a miniaturized blank size.

For pick-and-place equipment, the parts are available in 8 mm tape:

- 7" (178 mm) reel with 1'000 crystals
- 7" (178 mm) reel with 3'000 crystals
- 13" (330 mm) reel with 14'000 crystals

### ELECTRICAL CHARACTERISTICS AT 25°C:

Nominal Frequency	<sup>1)</sup> F <sub>L</sub>	32.768	kHz
Load capacitance	<sup>2)</sup> C <sub>L</sub>	7.0 / 9.0 / 12.5	pF
Frequency tolerance	<sup>3)</sup> ΔF/F	+/-20	ppm
		+/-100	ppm
Series resistance typ./max.	R <sub>S</sub>	45 / 60	kΩ
Motional capacitance typ.	C <sub>1</sub>	3.5	fF
Static capacitance typ.	C <sub>0</sub>	1.4	pF
Drive level max.	P	0.5	μW
Insulation resistance min.	R <sub>i</sub>	500	MΩ
Aging first year max.	ΔF/F	+/-3	ppm
Turnover temperature	T <sub>0</sub>	25 +/-5	°C
Frequency vs. temperature	ΔF/F <sub>0</sub>	-0.035 ppm/°C <sup>2</sup> (T - T <sub>0</sub> ) <sup>2</sup> +/-10%	ppm

- 1) Other frequencies on request.
- 2) Other load capacitances on request.
- 3) Tighter and wider frequency tolerances on request.

**STANDARD FREQUENCIES:**

<b>Frequency kHz</b>
32.768
Other frequencies on request

**ENVIRONMENTAL  
CHARACTERISTICS:**

		<b>Conditions</b>	<b>Max. Dev.</b>
Storage temperature range		-55 to +125°C	
TA Operating temperature range		-40 to +85°C	
Shock resistance	$\Delta F/F$	5000 g, 0.3 ms, 1/2 sine	+/-5 ppm
Vibration resistance	$\Delta F/F$	20 g / 10–2000 Hz	+/-5 ppm

**TERMINATIONS AND  
PROCESSING:**

<b>Type</b>	<b>Termination</b>	<b>Processing</b>
CM7V-T1A 0.3	For SMD mounting Au plated pads	Reflow soldering 260°C / 20 s max.

**PRODUCT DESCRIPTION AND  
ORDERING INFORMATION:**

**CM7V-T1A 0.3** 32.768kHz 12.5pF +/-20ppm TA QC

**Frequency  $F_0$**  \_\_\_\_\_

**$C_L$  Load Capacitance**  
7.0 pF  
9.0 pF  
**12.5 pF** \_\_\_\_\_

**Frequency tolerance**  
**+/- 20 ppm**  
+/- 100 ppm \_\_\_\_\_

**Temperature Range**  
**TA = -40 to 85°C (Standard)** \_\_\_\_\_

**Optional:**  
if not defined,  
,Standard' will apply

**Qualification**  
**QC = Commercial (Standard)** \_\_\_\_\_

A unique part number will be generated for each product specification, i.e:  
 20xxxx-MC01                      1'000 pcs (in 8mm tape on 7" reel)  
 20xxxx-MC03                      3'000 pcs (in 8mm tape on 7" reel)  
 20xxxx-PC14                      14'000 pcs (in 8mm tape on 13" reel)  
 Please contact us.

All specifications subject to change without notice.



Micro Crystal AG  
Mühlestrasse 14  
CH-2540 Grenchen  
Switzerland

Tel. +41 32 655 82 82  
Fax +41 32 655 82 83  
sales@microcrystal.com  
www.microcrystal.com

# Mouser Electronics

Authorized Distributor

Click to View Pricing, Inventory, Delivery & Lifecycle Information:

## Micro Crystal:

[202958-MG01](#) [202532-MG01](#) [202969-MG01](#) [CM7V-T1A-0.3-32.768kHz-7pF-20PPM-TA-QC](#) [CM7V-T1A-0.3-32.768kHz-9pF-20PPM-TA-QC](#) [CM7VT1A-0.3-32.768kHz-12.5pF-20PPM-TA-QC](#)