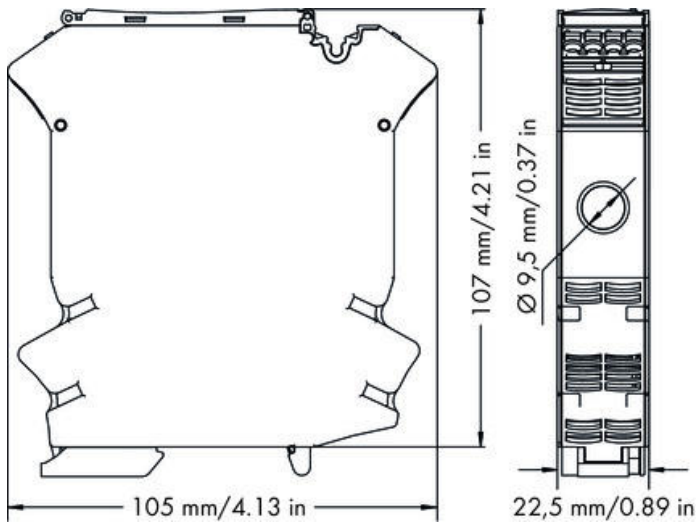
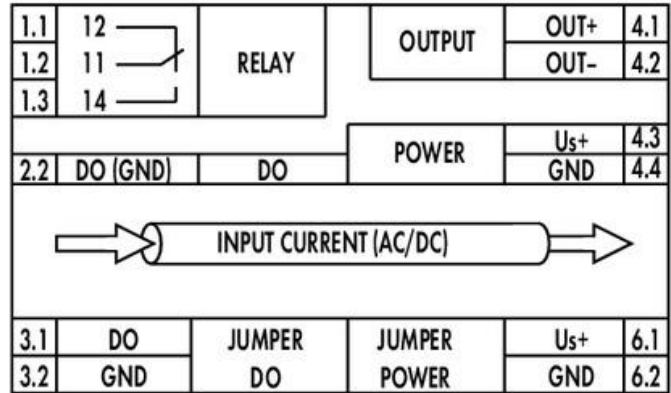
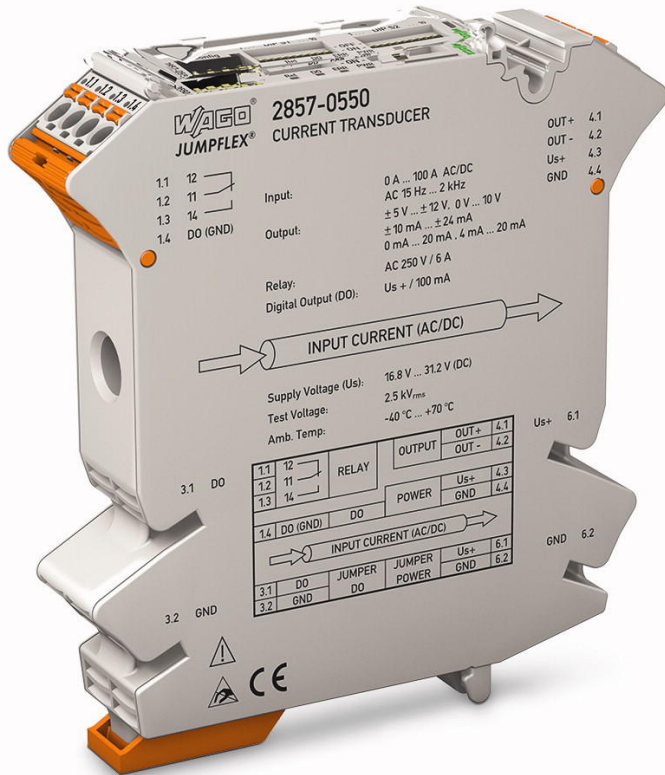


Data sheet | Item number: 2857-550



Current signal conditioner; Current input signal; Current and voltage output signal; Digital and relay output; Configuration via software; Supply voltage: 24 VDC; 22.5 mm module width

www.wago.com/2857-550



Item description

Short description:

The 2857-550 Current Signal Conditioner measures AC/DC currents up to 100 A, while converting the measured current into an analog standard signal at the output.

Features:

- Both digital signal output and relay with changeover contact react to configured measuring range limits (switching ON/OFF delay and threshold value switch function configurable with up to two threshold values).
- Clipping capability provides analog signal limitation to output end values.
- Adjustable software filter
- Input/Output response simulation via configuration display
- Safe 3-way isolation with 4 kV test voltage acc. to EN 61140

Note:

(*Additional setting options via interface configuration software or interface configuration app)

Data

Technical Data

Configuration

Configuration options

DIP switches
Interface configuration software
Interface configuration app
Configuration display

Input

Input signal type	Current
Input signal voltage	(IN 1)
Input signal, current	0.5 ... 100AAC; -100 ... 100ADC
Frequency range	15 ... 1000 Hz
Max. input current	100 A AC/DC
Response threshold	500 mA (AC); 250 mA (DC)
Resolution	10 mA

Output

Output signal type	Current Voltage
Output signal voltage	±5 V; 0 ... 5 V; 1 ... 5 V; ±10 V; 0 ... 10 V; 2 ... 10 V
Output signal current	±10 mA; 0 ... 10 mA; 2 ... 10 mA; ±20 mA; 0 ... 20 mA; 4 ... 20 mA
Load impedance (output/voltage)	≥ 1 kΩ
Load impedance (output/current)	≤ 600 Ω

Output – Digital

Max. continuous current (DO)	100 mA (no internal restriction)
Number of switching thresholds (DO)	1 or 2 (adjustable)
Configurable rise/fall delay time (DO)	0 ... 60 s (via software)

Output – Relay

Number of changeover/switchover contacts	1
Contact material	AgNi (gold-plated)
Max. switching voltage	250 VAC
Limiting continuous current (relay; terminal block assembly)	6A ($\leq 60\text{ }^{\circ}\text{C}$); 3A (60 ... 70 $^{\circ}\text{C}$)
Dielectric strength open contact (AC, 1 min)	1 kV _{rms}
Pull-in time (typ.)	8 ms
Drop-out time (typ.)	4 ms
Number of switching thresholds (relay)	1 or 2 (adjustable)
Configurable rise/fall delay time (relay)	0 ... 60 s (via software)

Signal processing

Measuring procedure	True RMS measurement (TRMS); Arithmetic mean value *
Max. operating frequency	3.3 kHz
Software filter, adjustable	moving mean value (filtering level: 30)
Step response	60 ms (DC; at software filter 3/default setting); 250 ms (AC)

Measurement error

Transmission error max.	$\leq 1\%$ (of the full scale value)
Temperature coefficient	$\leq 0.01\%$ /K

Power supply

Type of power supply	24 VDC
Nominal supply voltage U_S	24 VDC
Supply voltage range	$\pm 30\%$
Current consumption at supply voltage	$\leq 50\text{ mA}$ (+ I_{DO})

Safety and protection:

Test voltage (input/output/supply)	2.5 kV AC; 50 Hz; 1 min
Voltage for isolation test	4 kV AC; 50 Hz; 1 min
Degree of protection	IP20



Connection data

Connection technology	Push-in CAGE CLAMP®
WAGO terminal	picoMAX® 5.0
Solid conductor	0.2 ... 2.5 mm ² / 24 ... 12 AWG
Fine-stranded conductor	0.2 ... 2.5 mm ² / 24 ... 12 AWG
Strip length	9 ... 10 mm / 0.35 ... 0.39 Inch
Feedthrough for measurement conductor	Ø 9.5 mm

Geometrical Data

Width	22.5 mm / 0.886 Inch
Height from upper-edge of DIN-35 rail	107 mm / 4.213 Inch
Depth	105 mm / 4.134 Inch

Mechanical data

Type of mounting	DIN-35 rail
------------------	-------------

Material Data

Weight	102.939 g
--------	-----------

Environmental Requirements

Surrounding air (operating) temperature	-40 ... 70 °C
Surrounding air (storage) temperature	-40 ... 85 °C

Standards and specifications

Conformity marking	CE
EMC immunity to interference	EN 61000-6-2; EN 61326-2-3; EN 50121-3-2
EMC emission of interference	EN 61000-6-4; EN 61326-2-3; EN 50121-3-2
Standards/specifications	EN 61010-1

Commercial data

Country of origin	DE
GTIN	4050821676997
Product Group	6 (Interface Electronics)



Product family

JUMPFLEX Signal Conditioners

The modules offer numerous technical highlights and feature a common profile, allowing the same flexible push-in jumpers to be used across the entire JUMPFLEX® line. With its new JUMPFLEX® Signal Conditioners, WAGO is continuing to expand its existing JUMPFLEX® portfolio, offering its customers the best solutions from a single source.

[Show all products from the family.](#)

Subject to changes.