

2-channel analog input module

Item No.: 750-476/000-200



2-channel analog input module

Marking

RoHS ✓
Compliant

Business data

Supplier	WAGO
Item no.	750-476/000-200
GTIN / EAN	4045454393366
Content	1
Order amount	1
Customer item number	

Notes

Technical data

Miscellaneous

Conformity marking	CE
Connection technology (1)	CAGE CLAMP®
Solid sizes 1	0.08 ... 2.5 mm ² / 28 ... 14 AWG
Fine-stranded wires 1	0.08 ... 2.5 mm ² / 28 ... 14 AWG
Strip length 1	8 ... 9 mm / 0.31 ... 0.35 in
Fire load [MJ]	1.585 [MJ]
Weight [g]	51.42 [g]
Height from upper-edge of DIN-rail [mm]	64 [mm]
Height from upper-edge of DIN-rail	64 mm / 2.52 in
EMC emission of interference	acc. to EN 61000-6-4, marine applications

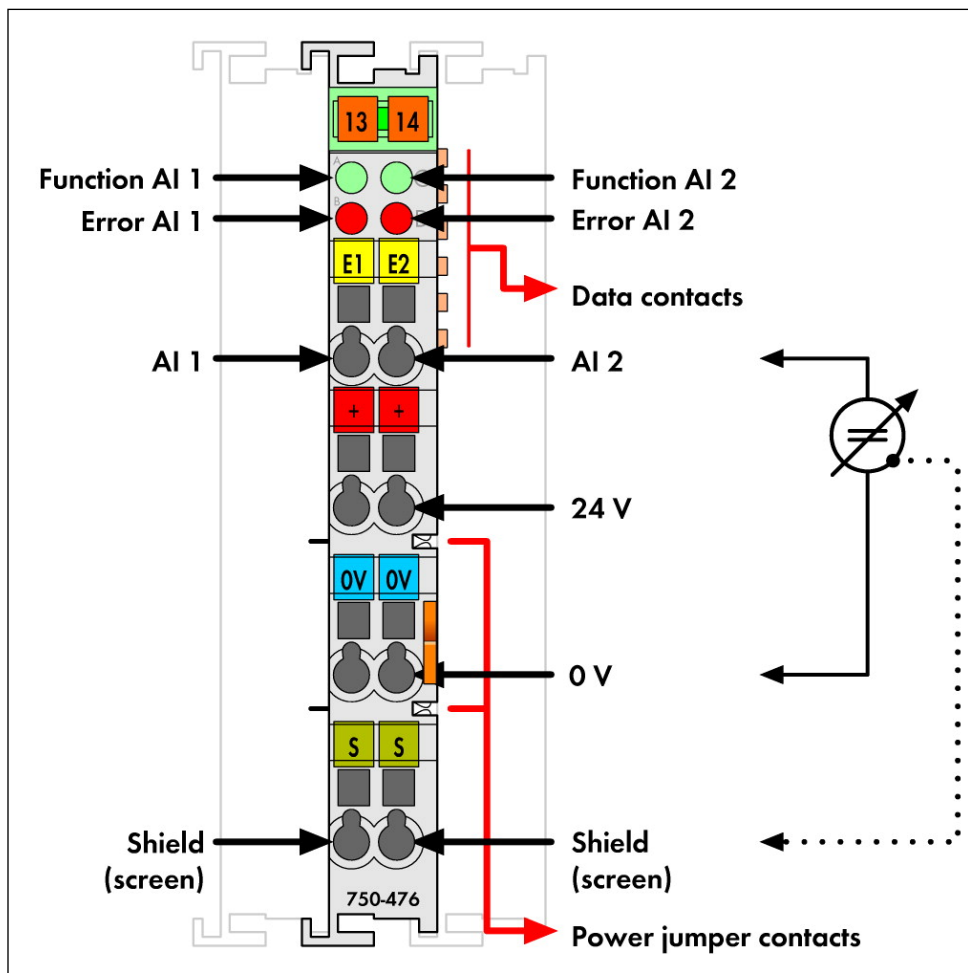
Technical data

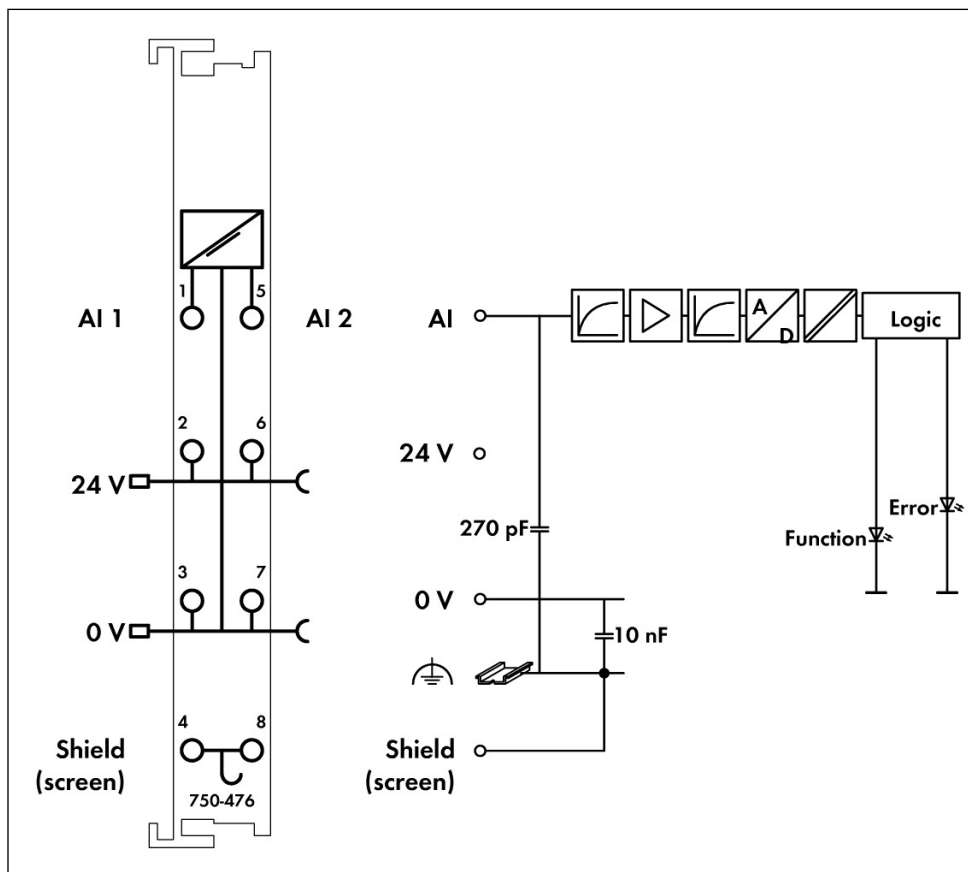
EMC immunity of interference

acc. to EN 61000-6-2, marine applications

Images & drawings







Address

WAGO Kontakttechnik GmbH & Co. KG

Hansastr. 27

32423 Minden

Telefon: 0571/887-0

Fax: 0571/887-169

<http://www.wago.com>

© WAGO Kontakttechnik GmbH & Co. KG

Technische Änderungen und Irrtümer vorbehalten.