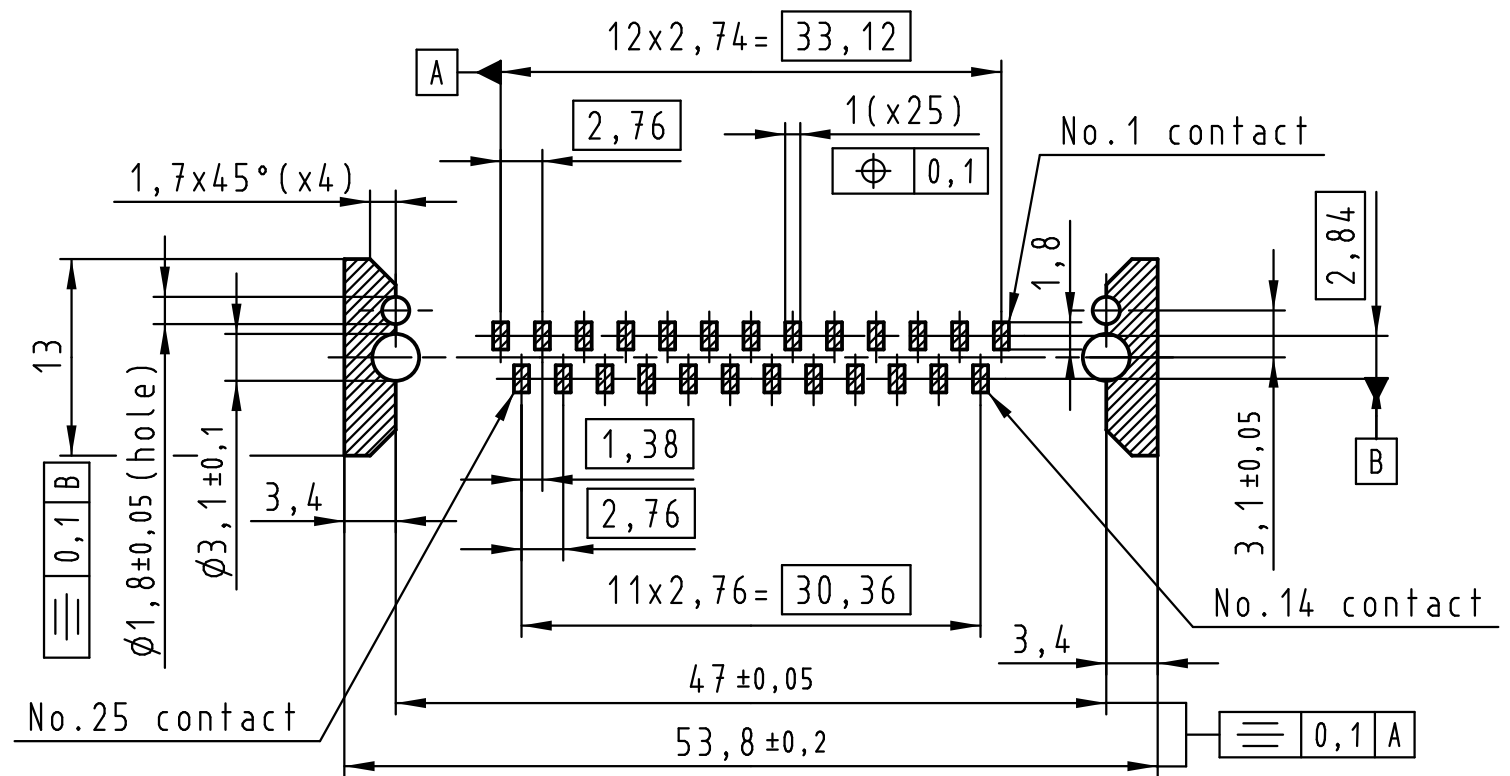
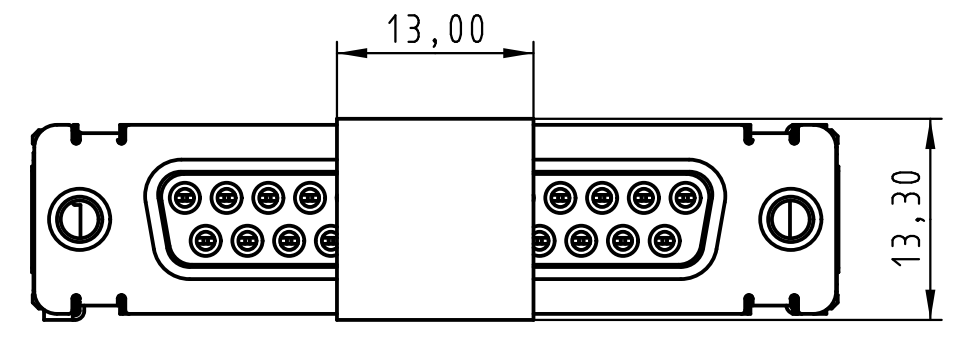
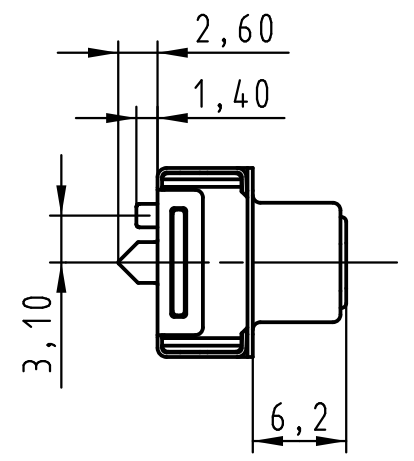
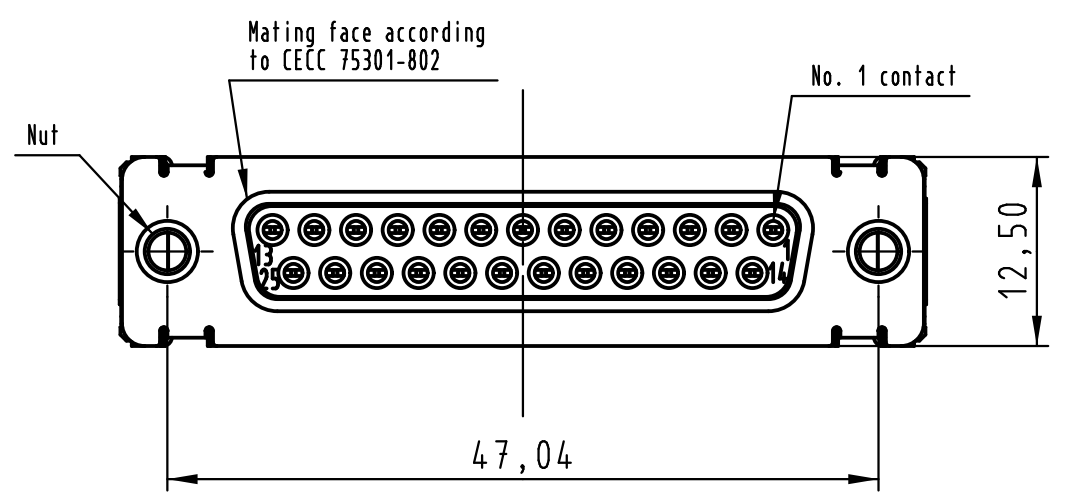
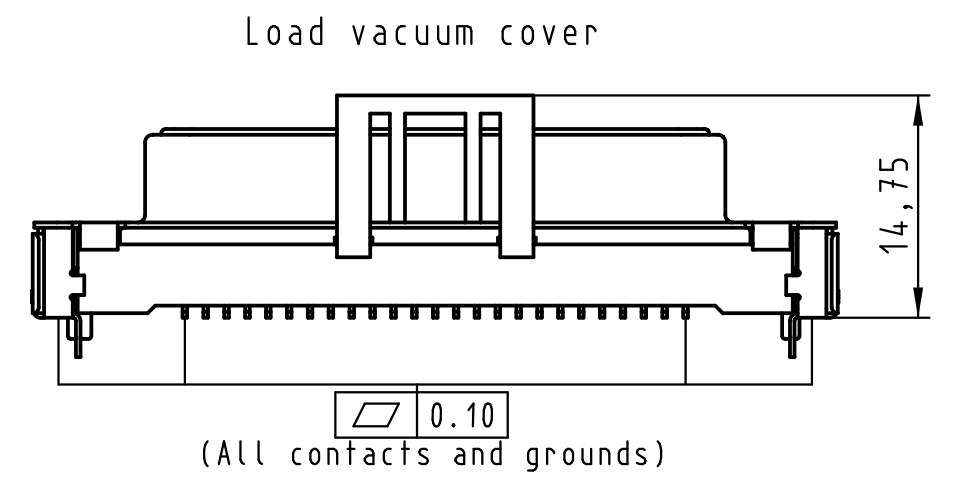
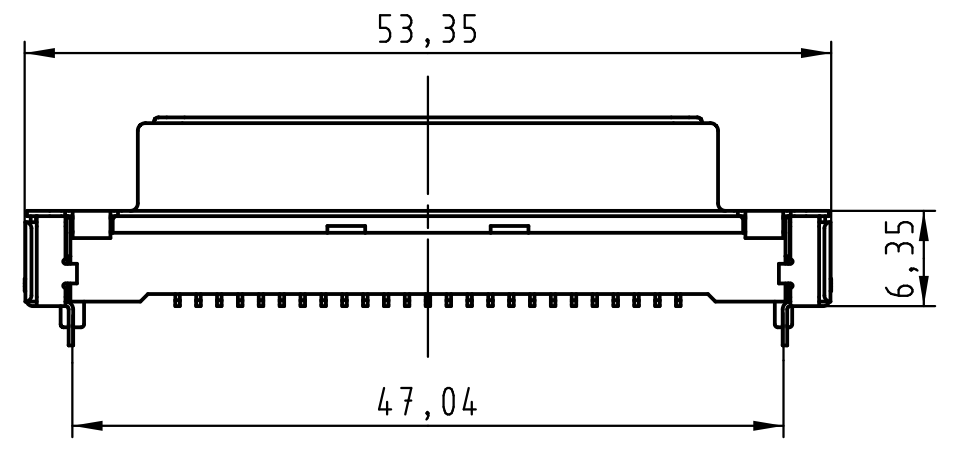


All rights reserved

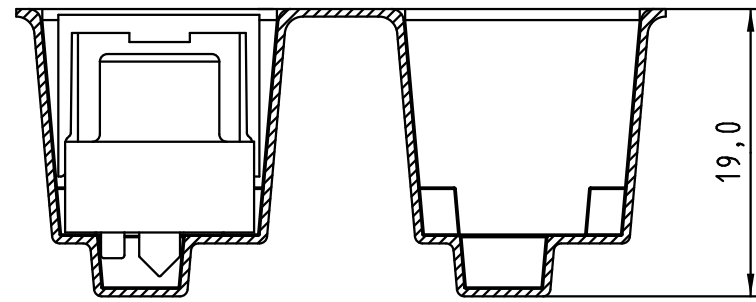


Max. Temperature: 260° during 10 seconds.

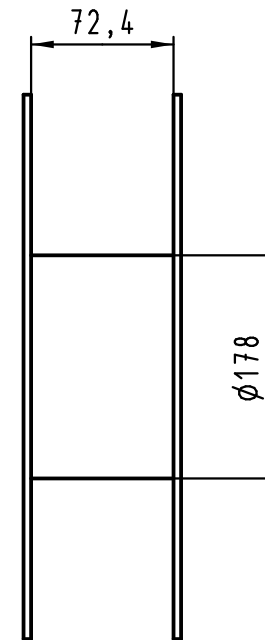
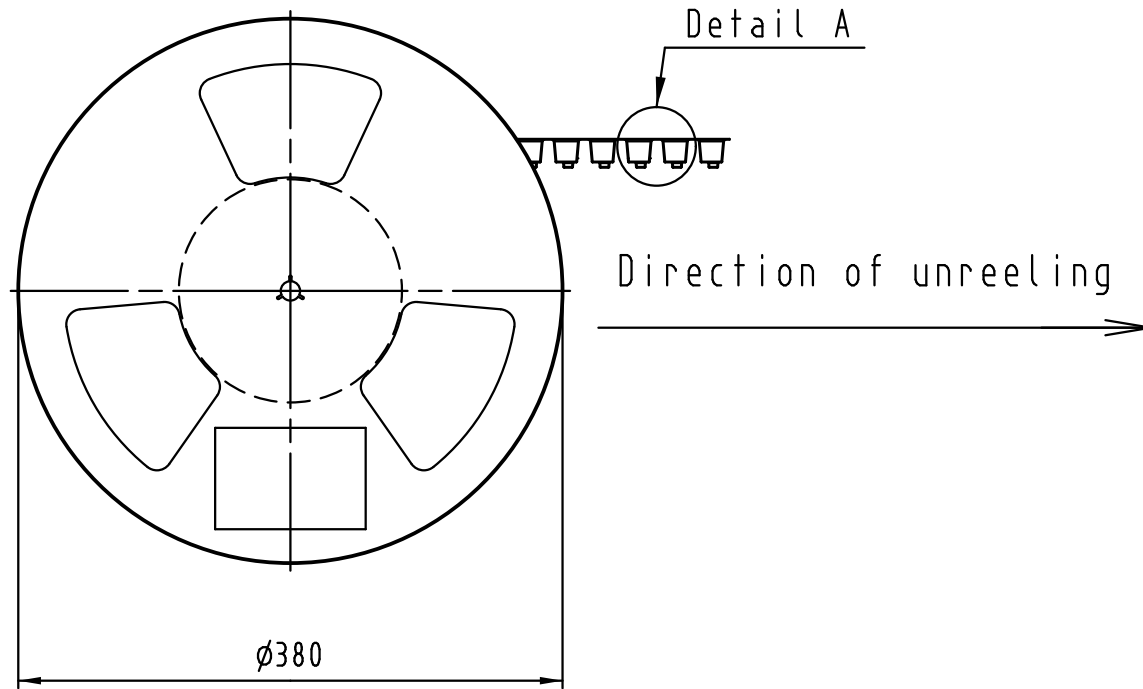
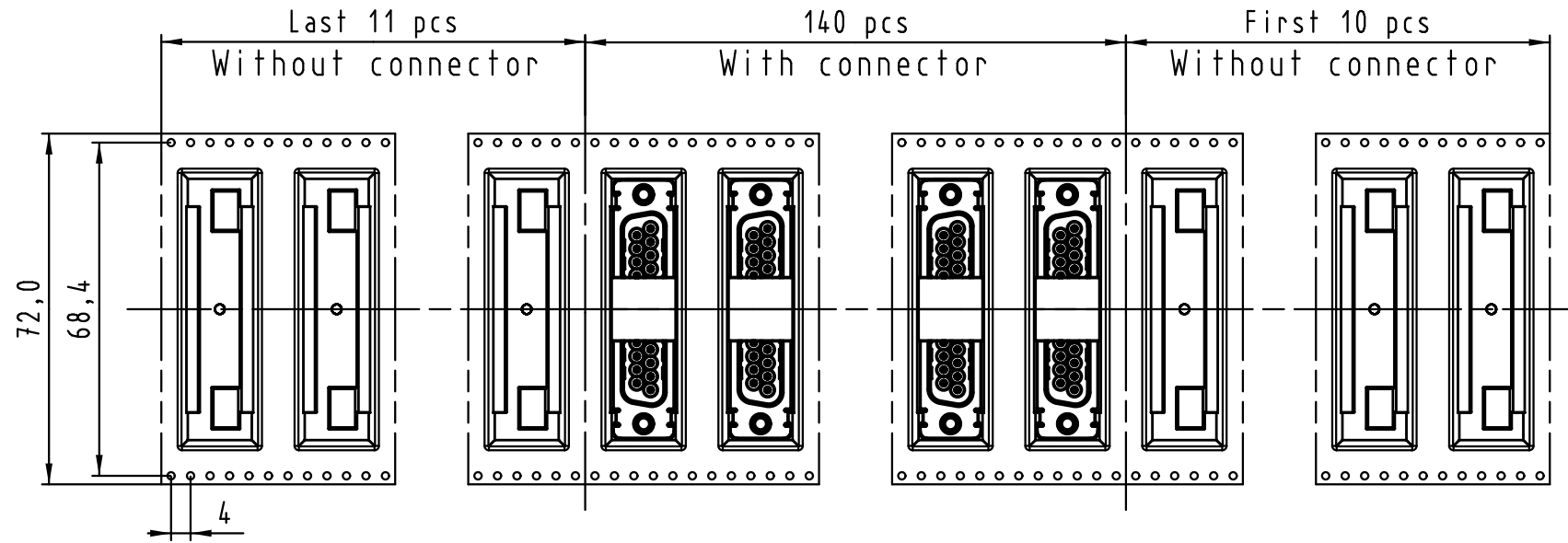
0955 355 3611 741	1	M3	Black insulator	Reel Packaging: 140 connectors (See details on page 2/2)
0955 355 3612 741	1	4-40 UNC		
0955 355 6611 741	2	M3		
0955 355 6612 741	2	4-40 UNC		
0955 355 7611 741	3	M3		
0955 355 7612 741	3	4-40 UNC		
Part number	PL	Nut	Index designation	

All Dimensions in mm Original Size DIN A 3	Techn. Character.			Free size tolerances	
		Dat.	Name	2:1	D-Sub SMT, 25 poles Female, Straight with nuts and ground pins
		Detail.	25-Oct-11 Johnson.S		
		Insp.	17-Nov-11 Steven.W		
	Stand.	17-Nov-11 Steven.W			
EC04070	17-Nov-11	Johnson.S	Zhuhai HARTING Limited		TB 09 55 355 x61x
Mod.	Dat.	Name			Page 1/2

PCB layout, component side



Detail A



See TB 09 55 355 x61x folio 1/2 for connector dimensions and PCB layout

Packaging in accordance with EIA 481-2.

0955 355 3611 741	1	M3	Black insulator	Reel Packaging: 140 connectors
0955 355 3612 741	1	4-40 UNC		
0955 355 6611 741	2	M3		
0955 355 6612 741	2	4-40 UNC		
0955 355 7611 741	3	M3		
0955 355 7612 741	3	4-40 UNC		
Part number	PL	Nut	Index designation	

All Dimensions in mm Original Size DIN A 3	Techn. Character.			Free size tolerances	
		Dat.	Name	D-Sub SMT, 25 poles Female, Straight with nuts and ground pins	
		Detail.	25-Oct-11 Johnson.S		
		Insp.	17-Nov-11 Steven.W		
	Stand.	17-Nov-11 Steven.W			
EC04070	17-Nov-11	Johnson.S	Zhuhai HARTING Limited		TB 09 55 355 x61x
Mod.	Dat.	Name			Sub.

All rights reserved

Mouser Electronics

Authorized Distributor

Click to View Pricing, Inventory, Delivery & Lifecycle Information:

HARTING:

[09553556611741](#) [09553556612741](#) [09553557612741](#) [09553557611741](#)