

60017-3 ✓ ACTIVE

### SHUR-PLUG 156

TE Internal #: 60017-3

Shur-Plug, Mating Pin Diameter 3.96 mm [.156 in], 20 – 16 AWG

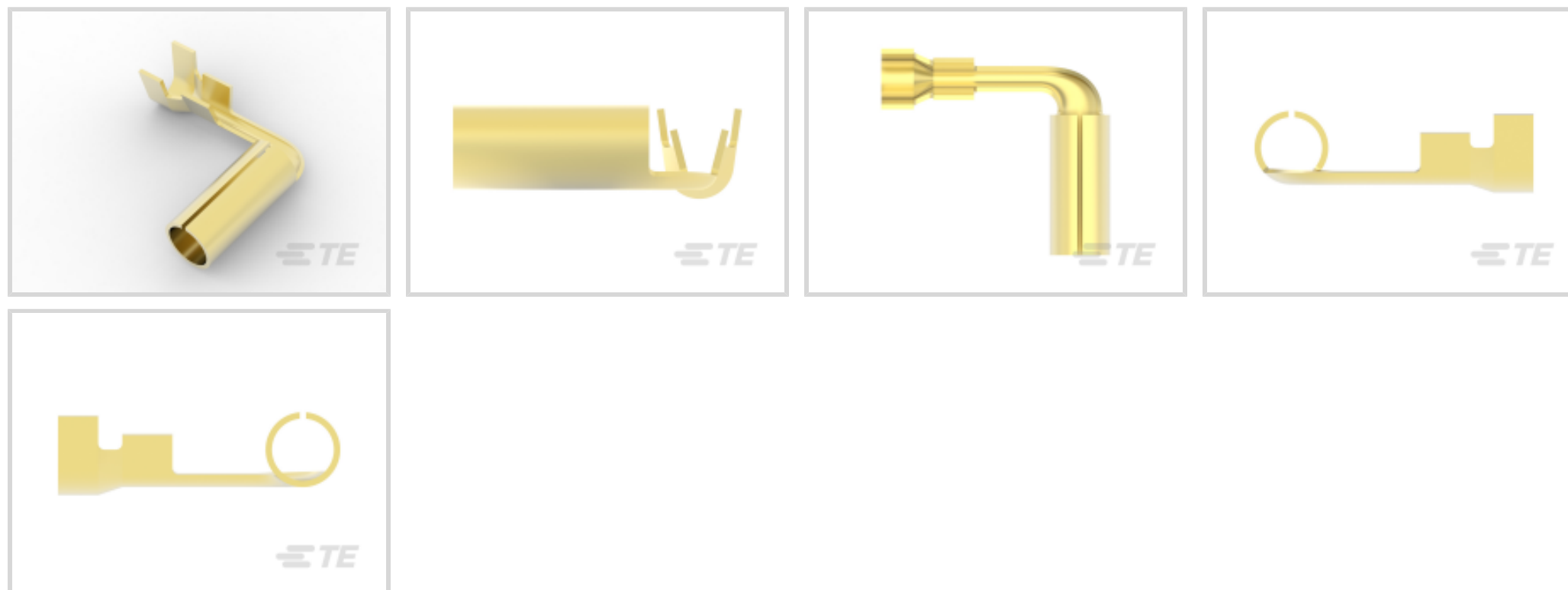
Wire Size, .5 – 1.3 mm<sup>2</sup> Wire Size, SHUR-PLUG 156, Crimp Wire

Pins, Tabs & Ferrules

[View on TE.com >](#)



Terminals & Splices > Crimp Wire Pins, Tabs & Ferrules



Crimp Wire Terminal Type: **Shur-Plug**

Mating Pin Diameter: **3.96 mm [.156 in]**

Compatible Insulation Diameter Range: **2.54 – 3.56 mm, 3.56 mm [.1 – .14 in, .14 in]**

Wire Size: **.5 – 1.3 mm<sup>2</sup>**

## Features

### Product Type Features

Compatible With Discrete Wire Type

Solid, Stranded

### Configuration Features

Compatible With Wire & Cable Type

Discrete Wire

### Contact Features

Crimp Wire Terminal Type

Shur-Plug

Mating Pin Diameter

3.96 mm [.156 in]

Barrel Type

Open

Terminal Plating Material

Unplated

Terminal Orientation

Right Angle

### Mechanical Attachment

Wire Insulation Support

With

### Dimensions

Compatible Insulation Diameter Range

2.54 – 3.56 mm, 3.56 mm [.1 – .14 in][.14 in]

Wire Size

1021 – 2582 CMA



Barrel Inside Diameter	1.27 mm, 3.04 mm [.05 in][.12 in]
Terminal Material Thickness	.39 mm [.016 in]
Overall Product Length	15.75 mm [.62 in]

### Usage Conditions

Insulation Option	Uninsulated
Operating Temperature Range	-40 – 85 °C [-40 – 185 °F]

### Packaging Features

Packaging Quantity	5000
Packaging Method	Reel

### Product Compliance

[For compliance documentation, visit the product page on TE.com>](#)

EU RoHS Directive 2011/65/EU	Compliant
EU ELV Directive 2000/53/EC	Compliant
China RoHS 2 Directive MIIT Order No 32, 2016	No Restricted Materials Above Threshold
EU REACH Regulation (EC) No. 1907/2006	Current ECHA Candidate List: JUNE 2024 (241) Candidate List Declared Against: JUNE 2024 (241) Does not contain REACH SVHC
Halogen Content	Low Halogen - Br, Cl, F, I < 900 ppm per homogenous material. Also BFR/CFR/PVC Free
Solder Process Capability	Not applicable for solder process capability

#### Product Compliance Disclaimer

This information is provided based on reasonable inquiry of our suppliers and represents our current actual knowledge based on the information they provided. This information is subject to change. The part numbers that TE has identified as EU RoHS compliant have a maximum concentration of 0.1% by weight in homogenous materials for lead, hexavalent chromium, mercury, PBB, PBDE, DBP, BBP, DEHP, DIBP, and 0.01% for cadmium, or qualify for an exemption to these limits as defined in the Annexes of Directive 2011/65/EU (RoHS2). Finished electrical and electronic equipment products will be CE marked as required by Directive 2011/65/EU. Components may not be CE marked. Additionally, the part numbers that TE has identified as EU ELV compliant have a maximum concentration of 0.1% by weight in homogenous materials for lead, hexavalent chromium, and mercury, and 0.01% for cadmium, or qualify for an exemption to these limits as defined in the Annexes of Directive 2000/53/EC (ELV). Regarding the REACH Regulation, the information TE provides on SVHC in articles for this part number is based on the latest European Chemicals Agency (ECHA) 'Guidance on requirements for substances in articles' posted at this URL: <https://echa.europa.eu/guidance-documents/guidance-on-reach>

### Compatible Parts




TE Part # 61388-1  
SHUR PLUG 156 20-16 AWG PTPBR



TE Part # 170012-2  
SHUR PLUG REC 20-16 MM2 0.32 X 13.97 BR



TE Part # 42142-1  
SHUR PLUG TERMINAL 18-14 AWG TPBR



TE Part # 42581-2  
SHUR PLUG 156 RECEPTACLE 22-18 AWG TPBR



TE Part # 60766-1  
SHUR PLUG 156 18-14 AWG BR



TE Part # 42700-1  
SHUR PLUG 180 RECEPTACLE 20-16 AWG BR



TE Part # 42749-1  
SHUR PLUG 180 REC 20-16 AWG BR



TE Part # 505038-1  
SHUR PLUG 180 CRIMP TAB 20-16 AWG BR



TE Part # 42142-2  
SHUR PLUG TERMINAL 18-14 AWG BR



TE Part # 2837967-1  
OCEAN-2.0-APPLICATOR-S-090F155O-RSM



TE Part # 2837967-2  
OCEAN-2.0-APPLICATOR-S-090F155O-RSA




TE Part # 7-2837967-7  
OCEAN\_2.0\_SPARE\_PART\_KIT-090F155O

Also in the Series | SHUR-PLUG 156



Crimp Wire Pins, Tabs & Ferrules(29)



Special Purpose Terminals(1)

Customers Also Bought



TE Part #1742999-1  
250 FASTON,FLAG,REC.,18-14 AWG, BR



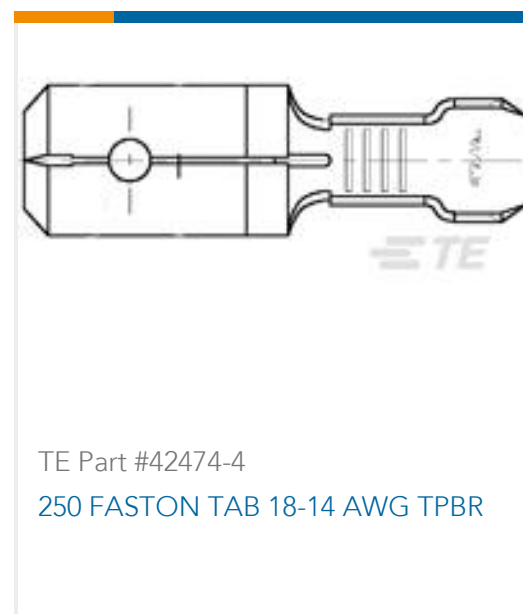
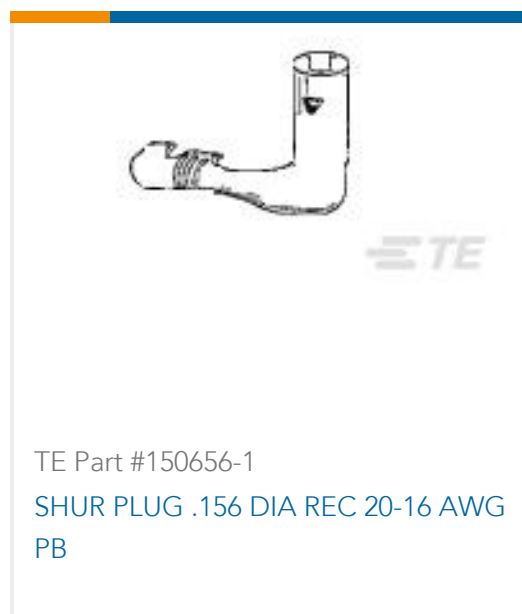
TE Part #60577-1  
110 FASTON REC 22-18 AWG TPBR



TE Part #1-1734742-8  
.5 FPC VT ZIF Type-A 18 CONT



TE Part #1825910-3  
FSM2JAH=6MM TACT SWITCH, HIGH TEMP



## Documents

### Product Drawings

[RIGHT ANGLE SHUR PLUG REC 20-16 0.41 BR](#)

English

### CAD Files

[3D PDF](#)

3D

Customer View Model

[ENG\\_CVM\\_CVM\\_60017-3\\_W.2d\\_dxf.zip](#)

English

Customer View Model

[ENG\\_CVM\\_CVM\\_60017-3\\_W.3d\\_igs.zip](#)

English

Customer View Model

[ENG\\_CVM\\_CVM\\_60017-3\\_W.3d\\_stp.zip](#)

English

By downloading the CAD file I accept and agree to the [Terms and Conditions](#) of use.

### Product Specifications

[Application Specification](#)

English