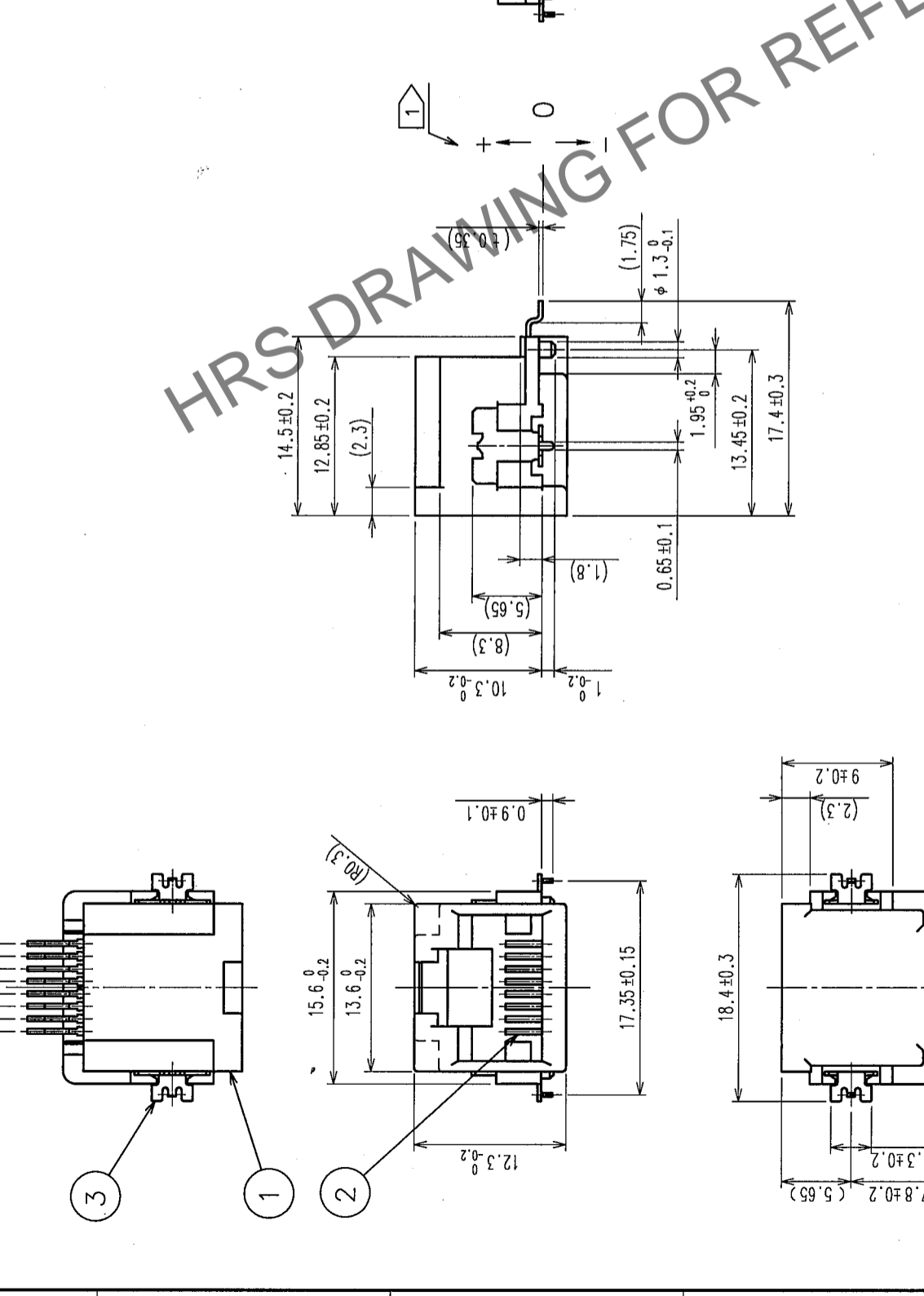
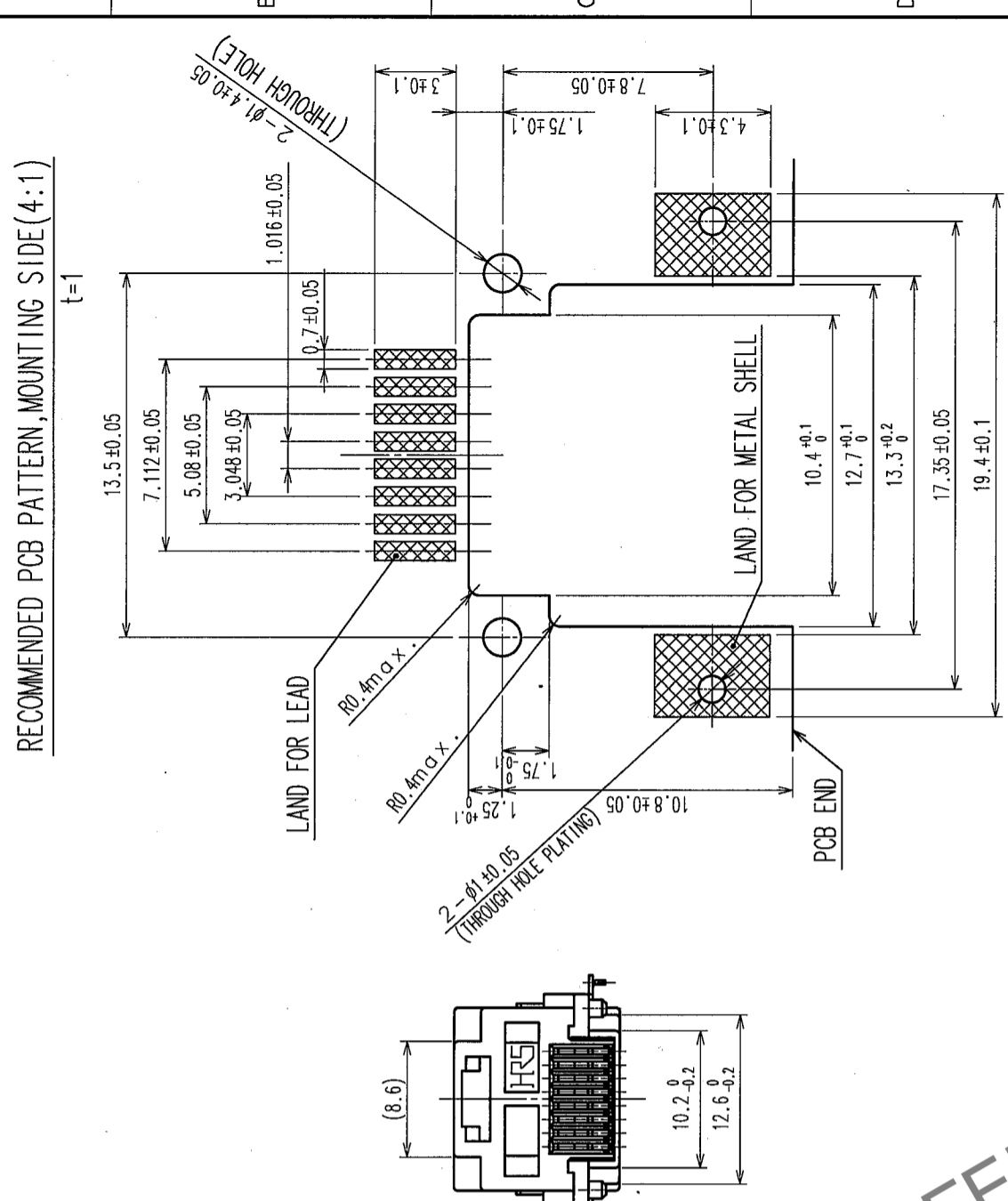
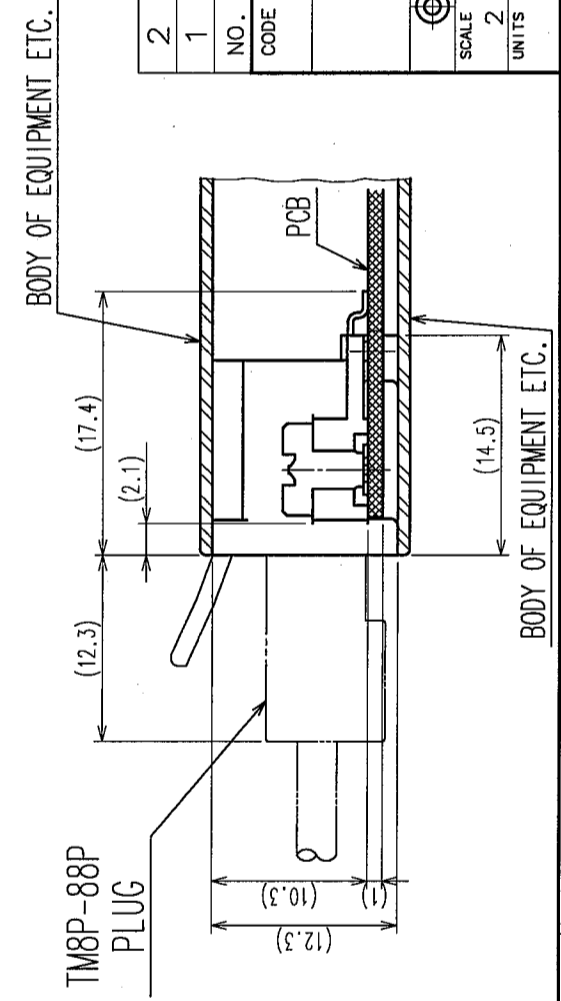


COUNT	DESCRIPTION OF REVISIONS	BY	CHKD	DATE	COUNT	DESCRIPTION OF REVISIONS	BY	CHKD	DATE
△					△				
△					△				
△					△				

COUNT	DESCRIPTION OF REVISIONS	BY	CHKD	DATE	COUNT	DESCRIPTION OF REVISIONS	BY	CHKD	DATE
△					△				
△					△				
△					△				



SET MOUNTED EXAMPLE



NOTE 1 THE CO-PLANARITY OF LEADS AND METAL SHELLS SHALL BE $0^{+0.05}_{-0.1}$.

2	PHOSPHOR BRONZE	SELECTIVE GOLD PLATING 1.27 μm
1	PPS	(BLACK) UL94V-0
NO.	MATERIAL	FINISH, REMARKS
CODE NO. (OLD)		

DESIGNED	CHECKED	APPROVED	RELEASED
DRAWN			
M. Stone			
T. Yamaguchi			
Y. Enami			
M. Ueda			
06.1.17	06.1.17	06.1.17	06.01.17
PART NO. TM18R-TO-88(50)			
DRAWING NO. EDC3-122138-01			
SCALE 2 : 1			
UNITS mm			
CODE NO. CL222-2883-9-50			
HIROSE ELECTRIC CO., LTD			

TO	Q1
----	----