

## Chip Attenuator

Type: **EXB 14AT**  
**EXB 24AT**



### Features

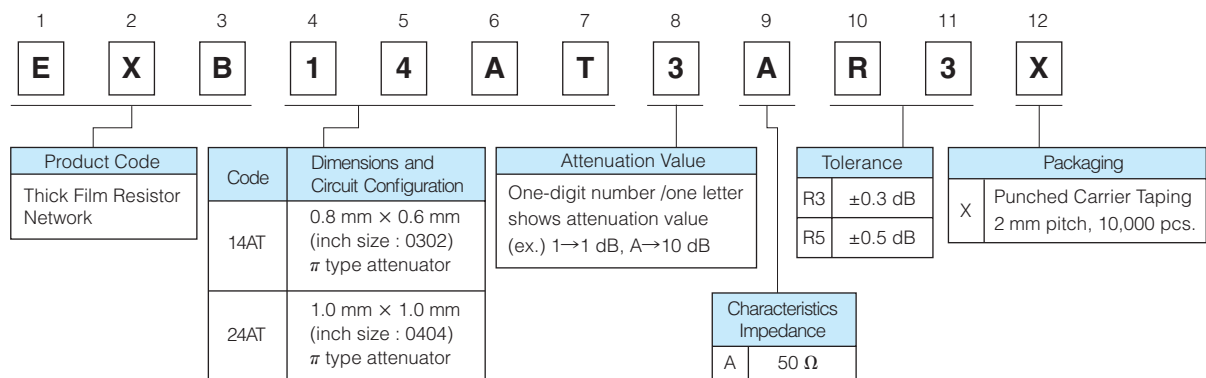
- Unbalanced  $\pi$  type attenuator circuit in one chip  
EXB14AT (0.8 mm  $\times$  0.6 mm), EXB24AT (1.0 mm  $\times$  1.0 mm)
- Reduced mounting area :  
EXB14AT : About 60 % smaller than the area of an attenuator circuit consisting of three 0603 chip resistors, almost equal to the area of three 0402 chip resistors  
EXB24AT : About 50 % smaller than the area of an attenuator circuit consisting of three 1005 chip resistors, almost equal to the area of three 0603 chip resistors
- Mounting cost reduction : (Only 1 chip placed as compared to 3)
- Attenuation : 1 dB to 10 dB
- RoHS compliant

### Recommended Applications

- Attenuation / level control / impedance matching of high frequency  
(communication signalling equipment cellular phones(GSM, CDMA, PDC, etc.), PHS, PDAs)

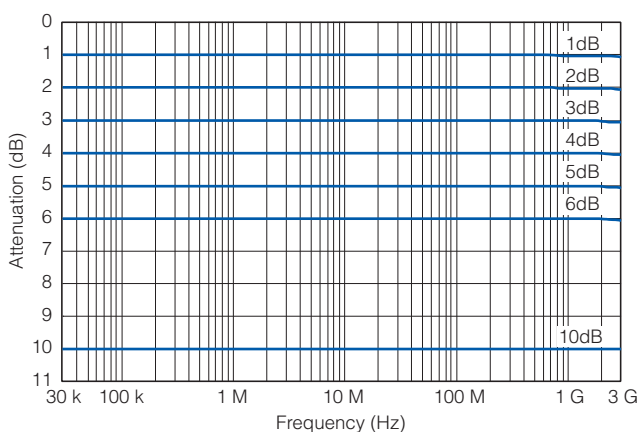
■ **As for Packaging Methods, Land Pattern, Soldering Conditions and Safety Precautions,**  
Please see Data Files

### Explanation of Part Numbers

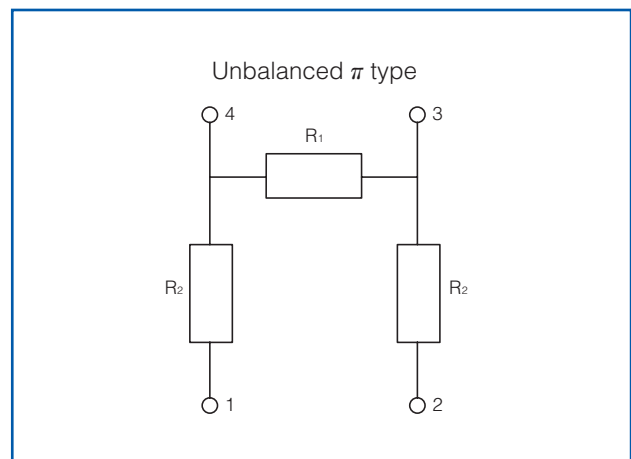


### Attenuation-Frequency Characteristics

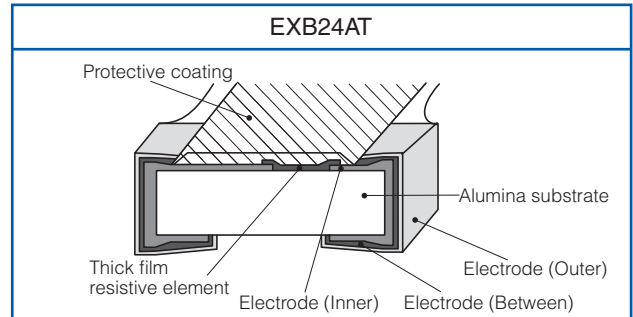
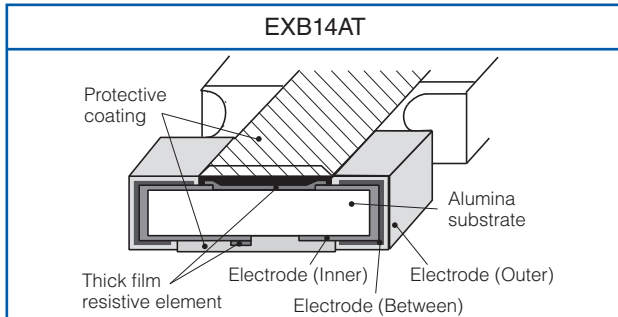
(EXB14AT, EXB24AT)



### Circuit Configuration



## Construction



## Dimensions in mm (not to scale)

**EXB14AT**

Dimensions (mm)	L	W	T	A	B	C	P (typical value)
	0.80 <sup>+0.10</sup>	0.60 <sup>+0.10</sup>	0.35 <sup>+0.10</sup>	0.35 <sup>+0.10</sup>	0.15 <sup>+0.10</sup>	0.15 <sup>+0.10</sup>	0.50

<Marking Configuration>  
 The bar marking for recognizing terminal direction is located on the side of terminal 3, 4.  
 Mass (Weight) [1000 pcs.] : 0.7 g

**EXB24AT**

Dimensions (mm)	L	W	T	A	B	C	P (typical value)
	1.00 <sup>+0.10</sup>	1.00 <sup>+0.10</sup>	0.35 <sup>+0.10</sup>	0.40 <sup>+0.10</sup>	0.15 <sup>+0.10</sup>	0.25 <sup>+0.10</sup>	0.65

<Marking Configuration>  
 The bar marking for recognizing terminal direction is located on the side of terminal 4.  
 Mass (Weight) [1000 pcs.] : 1.1 g

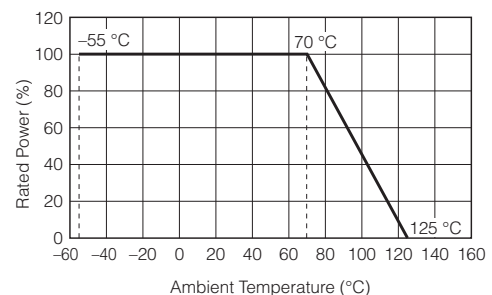
## Ratings

Part No.	EXB14AT, EXB24AT
Attenuation Value	1 dB, 2 dB, 3 dB, 4 dB, 5 dB, 6 dB, 10 dB*
Attenuation Value Tolerance	1 dB, 2 dB, 3 dB, 4 dB, 5 dB : ±0.3 dB 6 dB, 10 dB : ±0.5 dB
Characteristic Impedance	50 Ω
Power Rating	0.04 W /package
Frequency Range at 70 °C	DC to 3.0 GHz
VSWR (Voltage Standing Wave Ratio)	1.3 max.
Number of Resistors	3 resistors
Number of Terminals	4 terminals
Category Temperature Range	-55 °C to +125 °C

\* Please inquire about the other Attenuator value

### Power Derating Curve

For resistors operated in ambient temperatures above 70 °C, power rating shall be derated in accordance with the figure on the right.



# Mouser Electronics

Authorized Distributor

Click to View Pricing, Inventory, Delivery & Lifecycle Information:

## Panasonic:

[EXB-24ATAAR5X](#) [EXB-24ATJA2RX](#) [EXB-24AT3AR3X](#) [EXB-24AT6AR5X](#) [EXB-24AT2AR3X](#) [EXB-24AT5AR3X](#)  
[EXB-24AT1AR3X](#) [EXB-24AB00R8X](#) [EXB-24AB6C1RX](#) [EXB-24AT4AR5X](#) [EXB-24AT4AR3X](#) [EXB-24ATLA2RX](#) [EXB-](#)  
[24ATFA1RX](#) [EXB-24ATGA2RX](#) [EXB-24AT9AR5X](#) [EXB-24AT0AR3X](#)