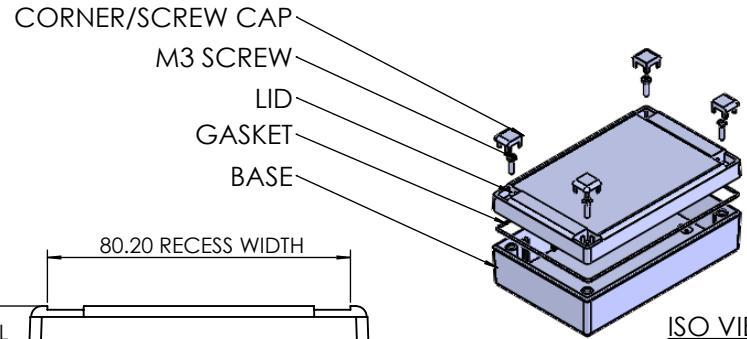
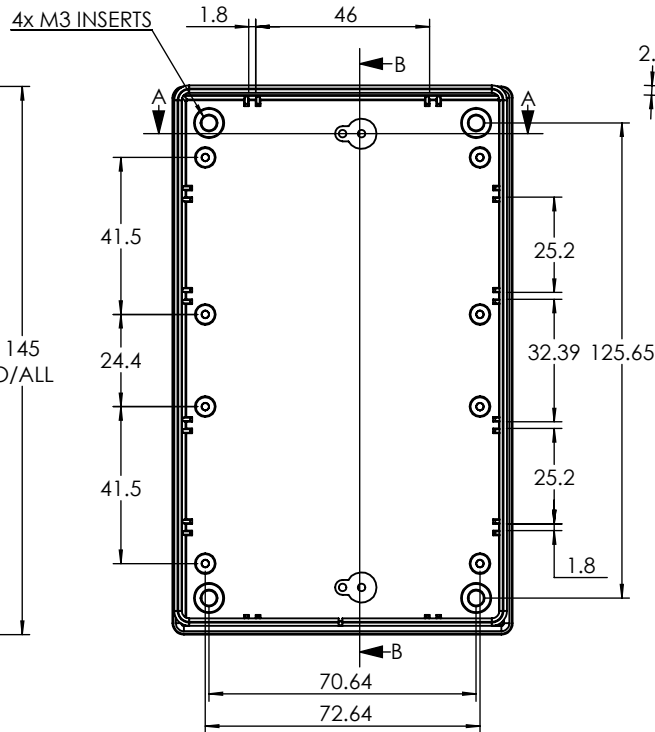
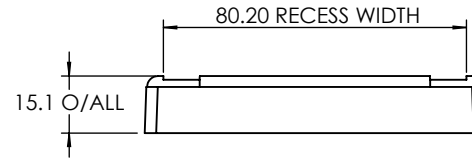


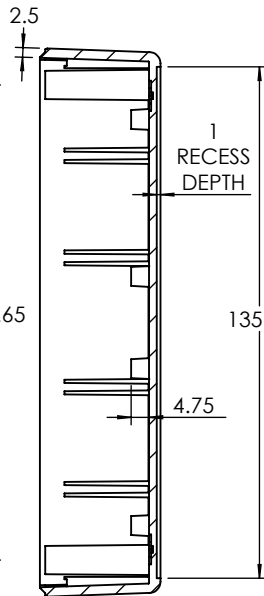
SECTION A-A



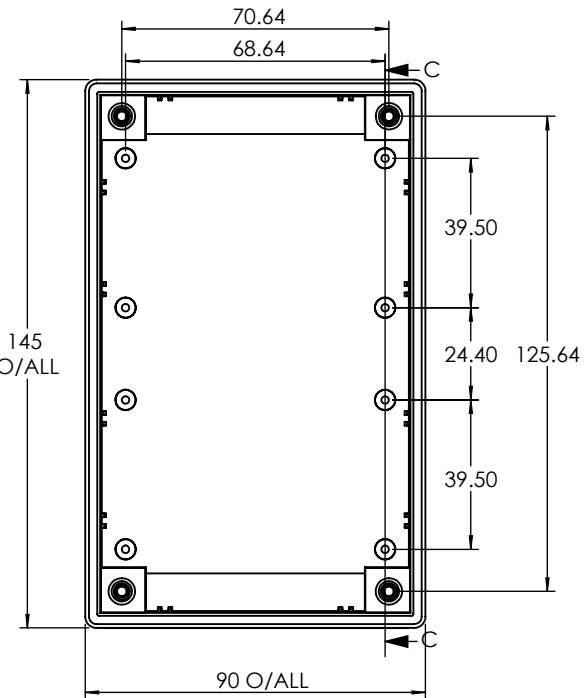
ISO VIEW
1:5



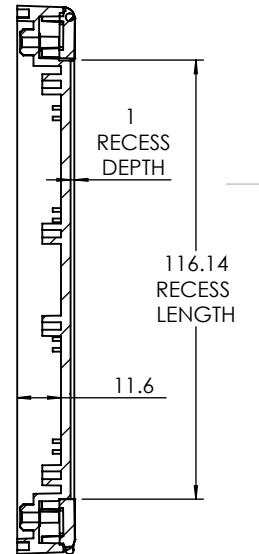
BASE



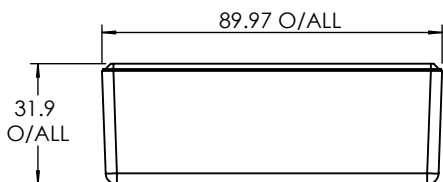
SECTION B-B



LID



SECTION C-C



CAMDENBOSS
ELECTRONICS & ENCLOSURES

JAMES CARTER RD, MILDENHALL, SUFFOLK. IP28 7DE
TEL: 01638 716101 FAX: 01638 716554
EMAIL: Sales@CamdenBoss.com
WEB: www.CamdenBoss.com

UNLESS OTHERWISE SPECIFIED:
DIMENSIONS ARE IN MILLIMETERS

GENERAL TOLERANCES +/- 0.2

FINISH: LIGHT SPARK

MATERIAL: UL - 94 HB ABS

DO NOT SCALE DRAWING

REVISION: ○

TITLE: ASSEMBLY DRG FOR RECESS DESIGNER CASE SIZE 6 GREY

DRAWN	NAME	SIGNED	DATE
LEWIS LETCHFORD	LL		15/04/2014
CHKD	-	-	-

PROJECTION:

DWG NO. CRDCERG06

SCALE: 1:2

SHEET 1 OF 1

A4