



MEAS

TE Internal #: 10184000-01

TE Internal Description: Sleep Tracking Sensor

[View on TE.com >](#)

Sensors > Piezo Film Sensors



Piezo Film Sensor Type: **Element**

Sensor Options: **Strips**

Features

Product Type Features

Piezo Film Sensor Type	Element
------------------------	---------

Other

Sensor Options	Strips
----------------	--------

Product Compliance

[For compliance documentation, visit the product page on TE.com>](#)

EU RoHS Directive 2011/65/EU	Compliant
EU ELV Directive 2000/53/EC	Compliant
China RoHS 2 Directive MIIT Order No 32, 2016	No Restricted Materials Above Threshold
EU REACH Regulation (EC) No. 1907/2006	Current ECHA Candidate List: JUNE 2024 (241) Candidate List Declared Against: JAN 2024 (240) Does not contain REACH SVHC
Halogen Content	BFR/CFR/PVC Free, but Br/Cl >900 ppm in other sources.
Solder Process Capability	Not reviewed for solder process capability

Product Compliance Disclaimer

This information is provided based on reasonable inquiry of our suppliers and represents our current actual knowledge based on the information they provided. This information is subject to change. The part numbers that TE has identified as EU RoHS compliant have a maximum concentration of 0.1% by weight in homogenous materials for lead, hexavalent chromium, mercury, PBB, PBDE, DBP, BBP, DEHP, DIBP, and 0.01% for cadmium, or qualify for an exemption to these limits as defined in the Annexes of Directive 2011/65/EU (RoHS2). Finished electrical and electronic equipment products will be CE marked as required by Directive 2011/65/EU. Components may not be CE marked. Additionally, the part numbers that TE has identified as EU ELV compliant have a maximum concentration of 0.1% by weight in homogenous materials for lead, hexavalent chromium, and mercury, and 0.01% for cadmium, or qualify for an exemption to these limits as defined in the Annexes of Directive 2000/53/EC (ELV). Regarding the REACH Regulation, the information TE provides

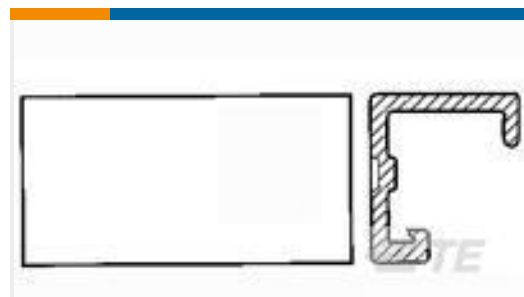
on SVHC in articles for this part number is based on the latest European Chemicals Agency (ECHA) 'Guidance on requirements for substances in articles' posted at this URL: <https://echa.europa.eu/guidance-documents/guidance-on-reach>

Compatible Parts



TE Part # 1005939-1
LDTC - Horizontal

Customers Also Bought



TE Part #640550-4
04P MTA100 COVER



TE Part #1-1355730-1
3pos MQS .63 header 90deg



TE Part #NB-PTCO-154
Pt1000, 2.0x2.3, Class T, PTFC102T1G0



TE Part #3-640428-3
03P MTA156 CONN ASSY 22AWG RED



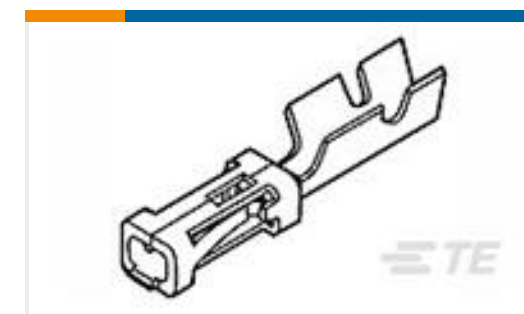
TE Part #7-1879494-3
CRGH0603 5% 1K0 0.2W



TE Part #4-2176326-9
CRGP 0603 100K 1%




TE Part #3-2176326-1
CRGP 0603 3K3 1%



TE Part #86016-5
MOD IV RECP LP



TE Part #1-2176467-3
TLRP 1206 1.0W R008 1% 75PPM 5K RL



TE Part #86-100G-U
NISO,LP,GAGE,LEADS

Documents

Product Drawings
Sleep Tracking Sensor
English



CAD Files

3D PDF

3D

Customer View Model

[ENG_CVM_CVM_10184000-01_A0.2d_dxf.zip](#)

English

Customer View Model

[ENG_CVM_CVM_10184000-01_A0.3d_igs.zip](#)

English

Customer View Model

[ENG_CVM_CVM_10184000-01_A0.3d_stp.zip](#)

English

By downloading the CAD file I accept and agree to the [Terms and Conditions](#) of use.

Datasheets & Catalog Pages

SLEEP MONITOR STRIP

English

Product Specifications

Manuals & User Guides

English