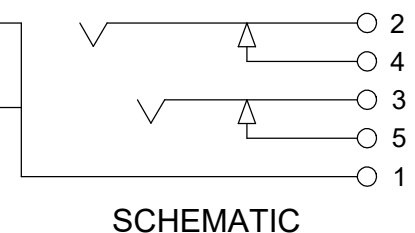
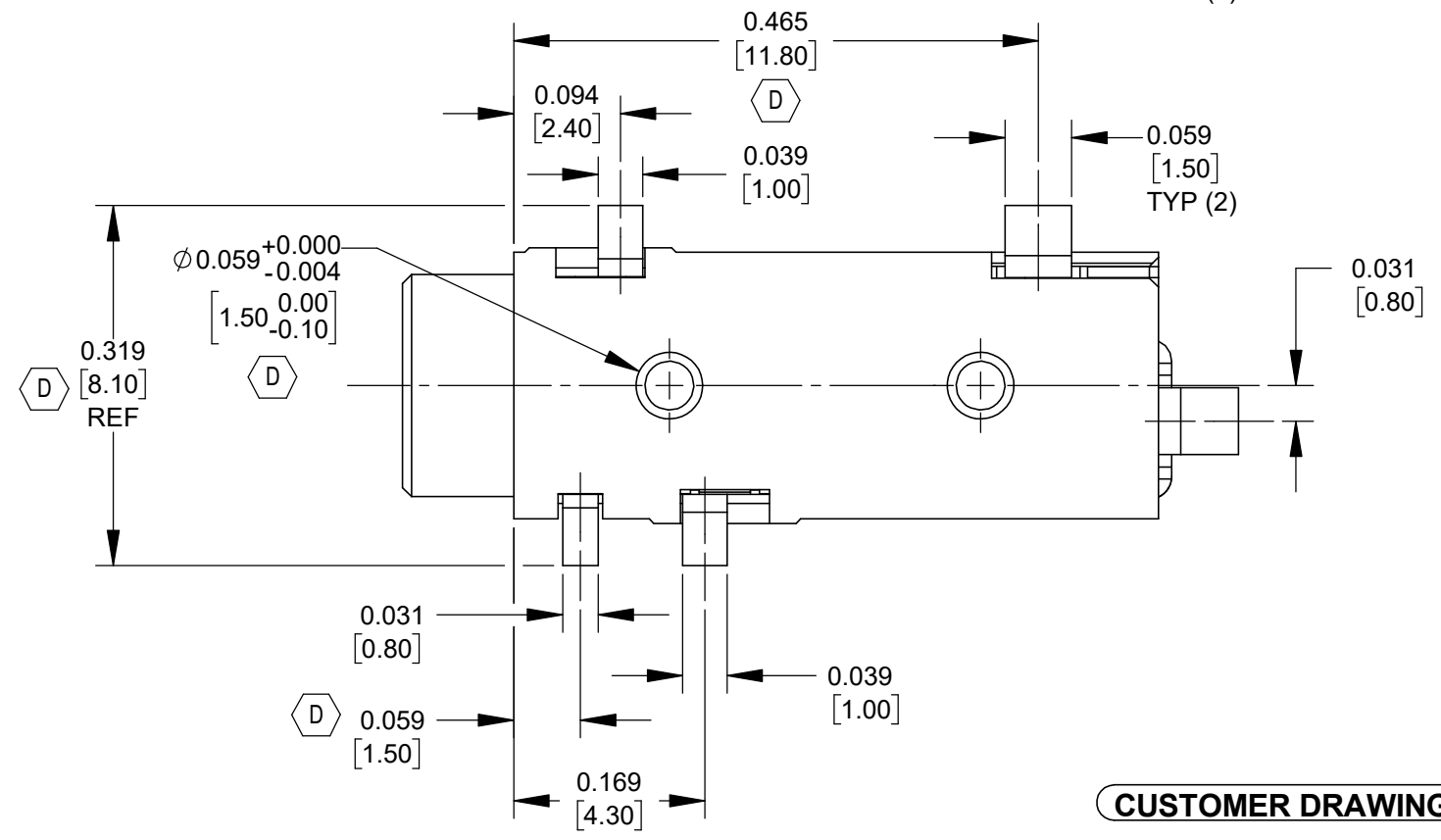
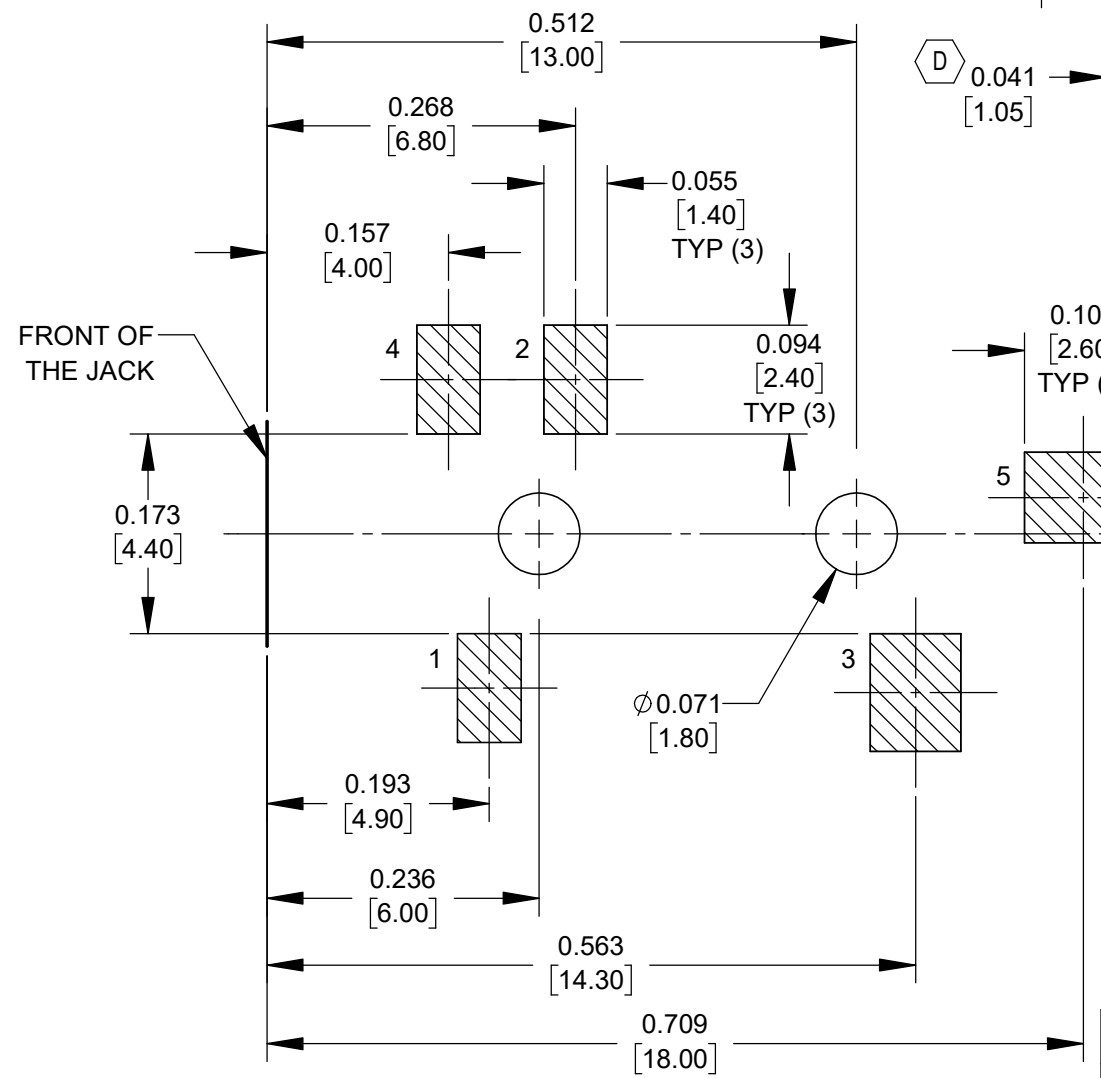
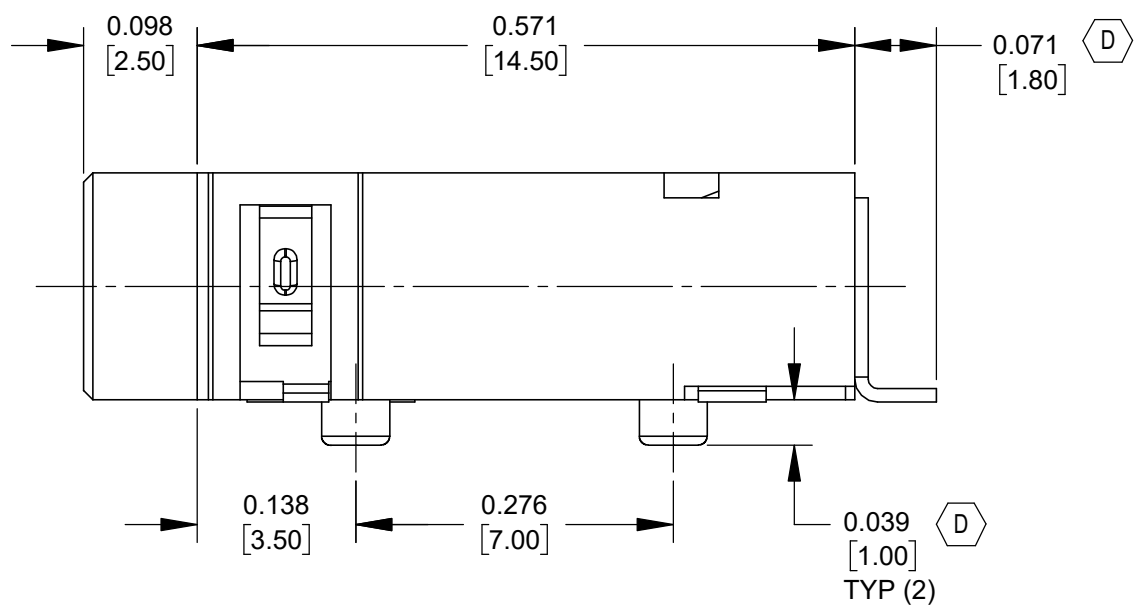
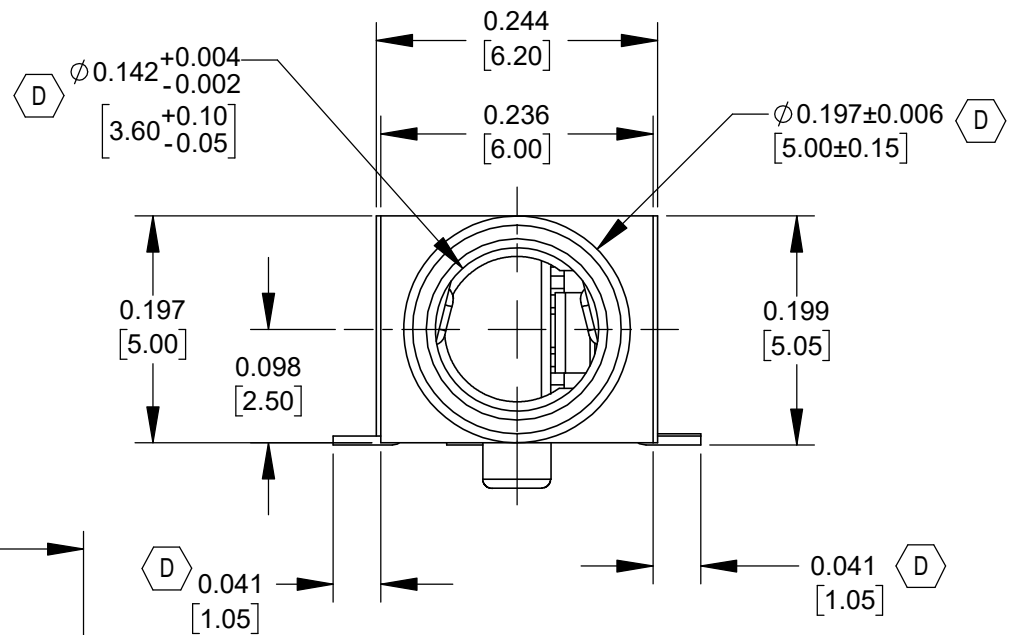


**NOTES:**

1. ALL DIMENSIONS ARE REFERENCE.
2. MATERIALS:  
HOUSING - THERMOPLASTIC, BLACK  
TERMINALS - COPPER ALLOY, GOLD FLASH
3. SUPPLIED ON TAPE AND REEL, SEE SHEET 2.
4. THIS PRODUCT IS RoHS COMPLIANT.



**PCB LAYOUT COMPONENT SIDE**  
TOLERANCE:  $\pm 0.002$  [ $\pm 0.05$ ]

**CUSTOMER DRAWING**

REV	ECO NUMBER	DATE	BY	APVD
D	28625	09-28-23	PC	TJK
C	27337	7-30-14	TO	TJK
B	26972	6-20-12	TO	TJK
A	25182	1-13-06	JL	GG

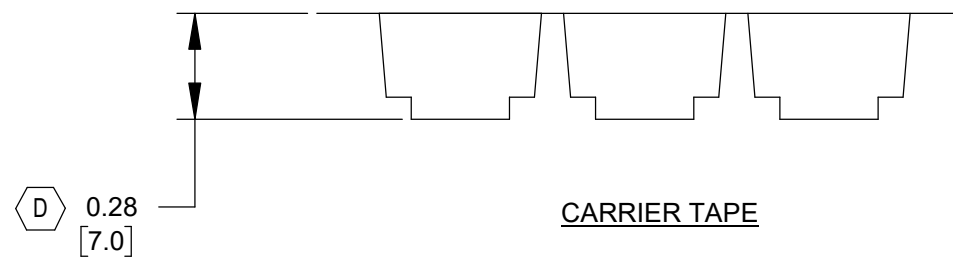
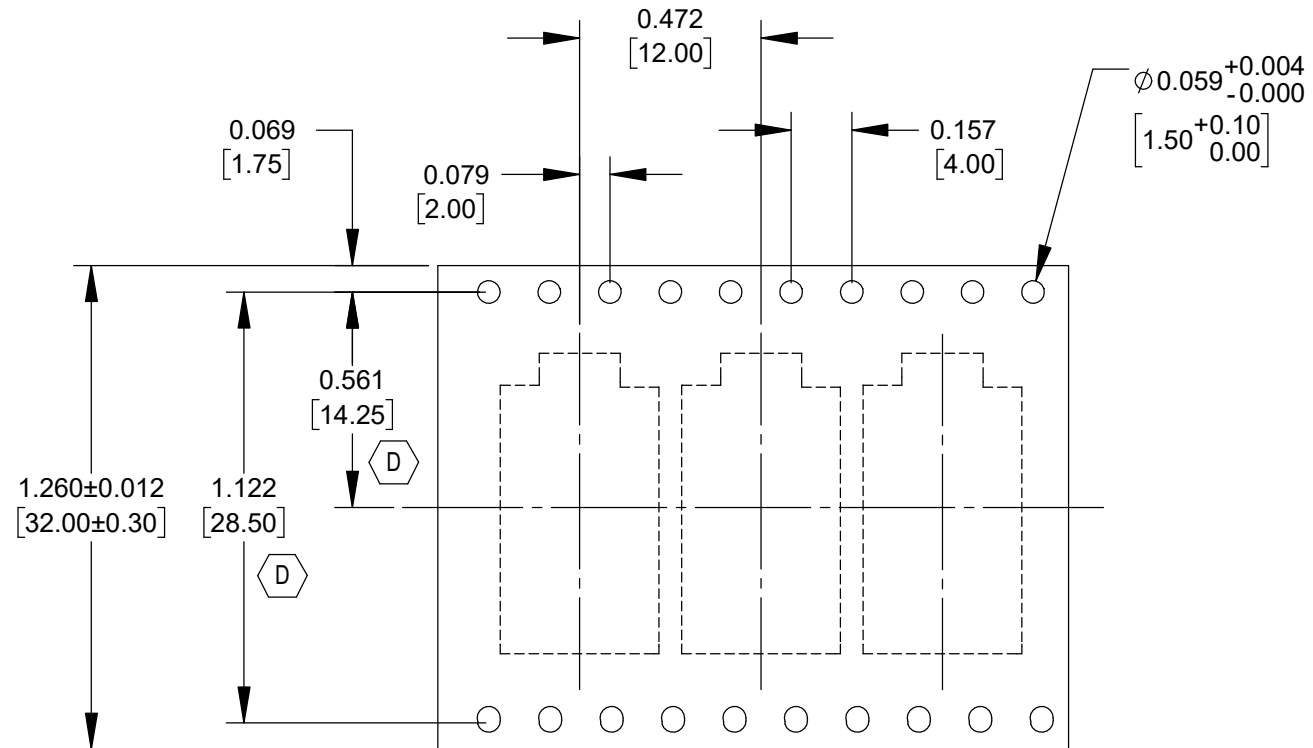
**UNLESS OTHERWISE SPECIFIED**  
1. ALL DIMENSIONS IN INCHES [mm]  
- TWO PLACE DECIMALS  $\pm 0.02$  [0.5]  
- THREE PLACE DECIMALS  $\pm 0.005$  [0.13]

**DO NOT SCALE DRAWING**

THIS DRAWING DESCRIBES A DESIGN CONSIDERED PROPRIETARY IN NATURE, DEVELOPED AND MANUFACTURED BY SWITCHCRAFT INC. AND IS RELEASED ON A CONFIDENTIAL BASIS FOR IDENTIFICATION PURPOSES ONLY.										
SIZE	WIDTH	MULT	LBS/M	TEMPER						
FINISH SPEC No.					MATERIAL SPEC No.					
FIRST USED ON					SCALE 6:1					
DATE DRAWN	BY	CHKD	APVD							
13-Jan-06	JL	GG	GG							
			1-13-06	1-13-06						
NAME 3.5MM PHONE JACK SURFACE MOUNT, RoHS								PART No. 35RASMT4BHNTRX		REV D

**A: CARRIER SIZE**

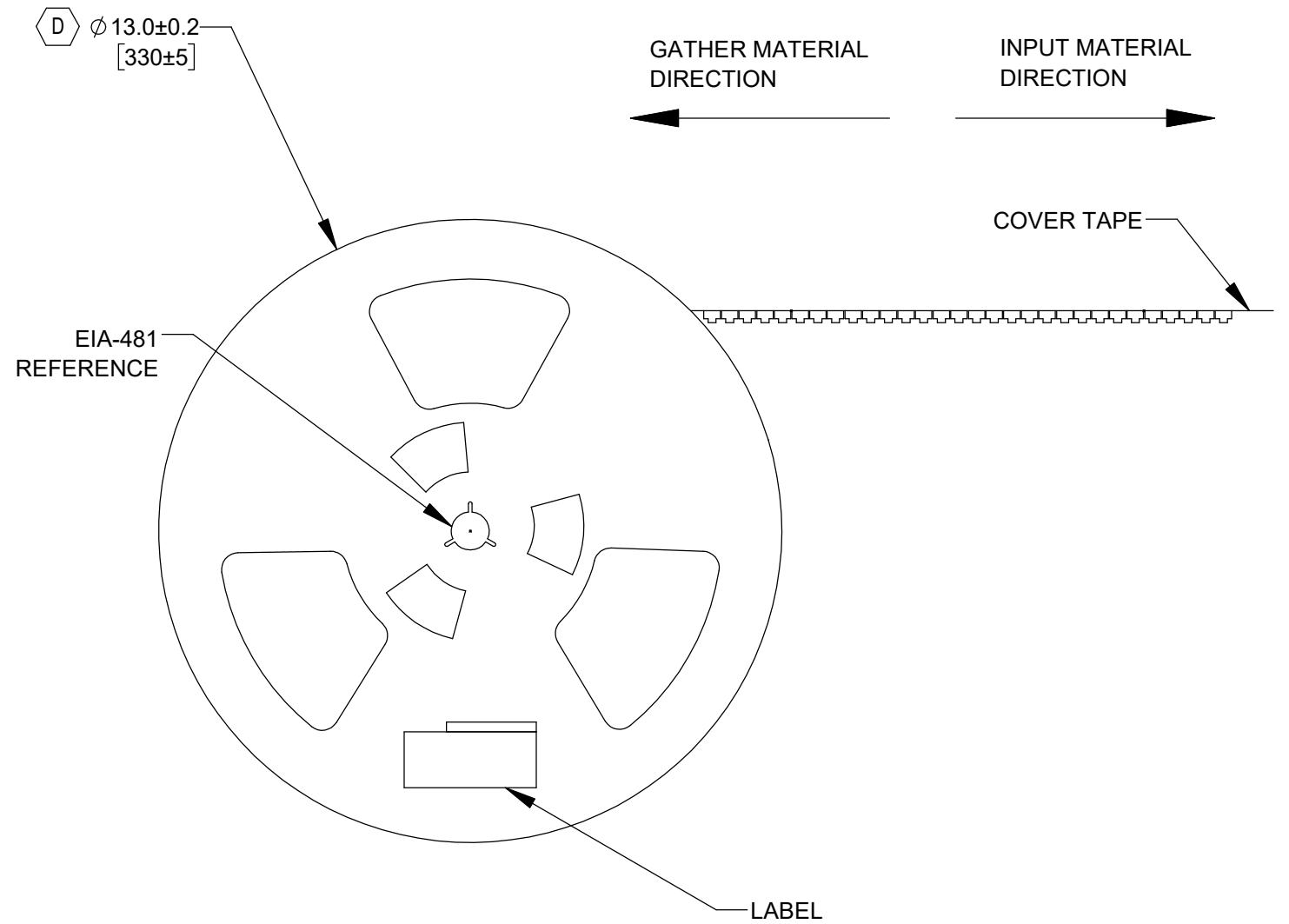
- 1. DETAIL SIZE REFERENCES: EIA-481
- 2. SPECIFICATIONS: 32 MM X 12 MM



CARRIER TAPE

**B: REEL SIZE**

- D 1. QUANTITY: 700 PCS/REEL
- 2. MATERIAL: THERMOPLASTIC
- D 3. 8 EMPTY AT START OF REEL



CUSTOMER DRAWING

SCALE NONE	Switchcraft®	
DATE DRAWN 13-Jan-06		
DRAWN BY JL	PART No. 35RASMT4BHNTRX	REV D