

60440-1 ✓ ACTIVE

TE Internal #: 60440-1

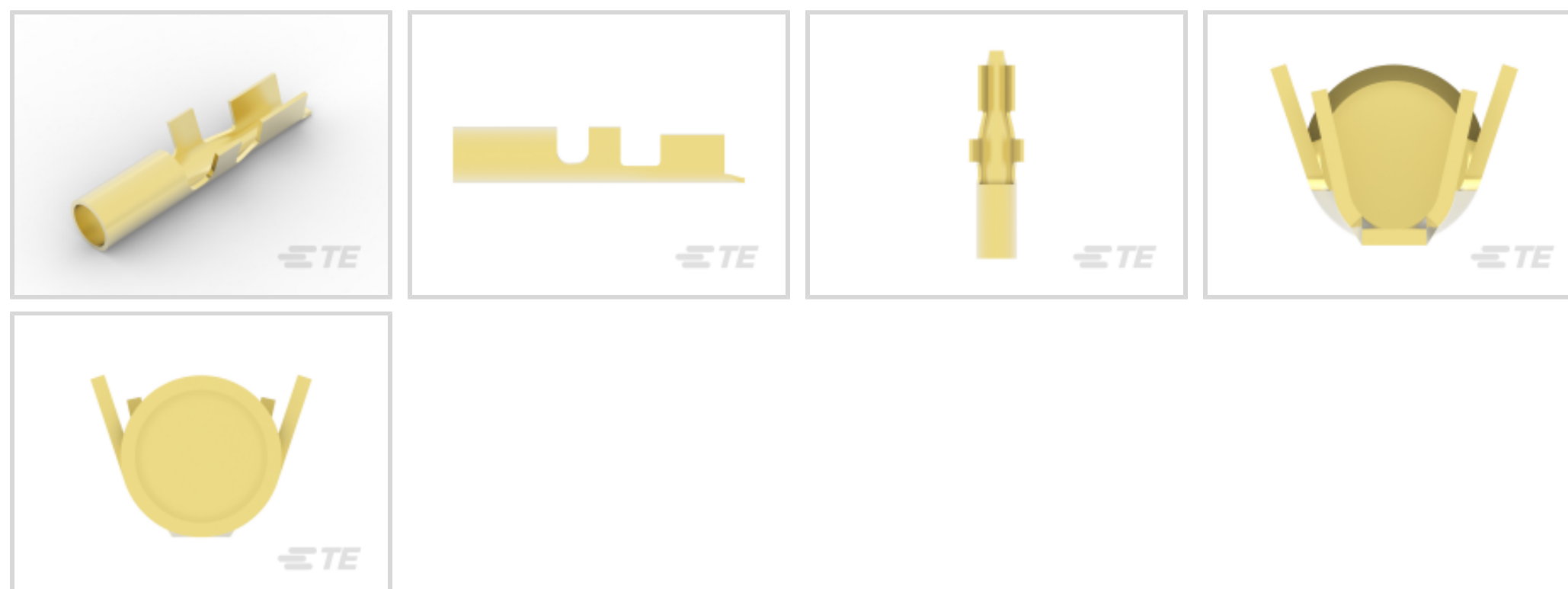
Receptacle, Mating Pin Diameter 2.36 mm [.093 in], 22 – 18 AWG

Wire Size, .3 – .8 mm² Wire Size, Crimp Wire Pins, Tabs & Ferrules

[View on TE.com >](#)



Terminals & Splices > Crimp Wire Pins, Tabs & Ferrules



Crimp Wire Terminal Type: **Receptacle**

Mating Pin Diameter: **2.36 mm [.093 in]**

Wire Size: **642 – 1624 CMA**

Features

Product Type Features

| | |
|------------------------------------|-----------------|
| Compatible With Discrete Wire Type | Solid, Stranded |
|------------------------------------|-----------------|

Configuration Features

| | |
|-----------------------------------|---------------|
| Compatible With Wire & Cable Type | Discrete Wire |
|-----------------------------------|---------------|

Contact Features

| | |
|---------------------------|-------------------|
| Crimp Wire Terminal Type | Receptacle |
| Mating Pin Diameter | 2.36 mm [.093 in] |
| Barrel Type | Open |
| Terminal Plating Material | Unplated |
| Terminal Orientation | Straight |

Mechanical Attachment

| | |
|-------------------------|---------|
| Wire Insulation Support | Without |
|-------------------------|---------|

Dimensions

| | |
|-----------------------------|------------------------------------|
| Wire Size | 642 – 1624 CMA |
| Barrel Inside Diameter | 1.39 mm, 2.28 mm [.055 in][.09 in] |
| Terminal Material Thickness | .24 mm [.01 in] |
| Overall Product Length | 13.46 mm [.53 in] |

Usage Conditions

| | |
|-----------------------------|---------------------------|
| Insulation Option | Uninsulated |
| Operating Temperature Range | -40 – 85 °C[-40 – 185 °F] |

Packaging Features

| | |
|--------------------|-------|
| Packaging Quantity | 20000 |
| Packaging Method | Reel |

Product Compliance

[For compliance documentation, visit the product page on TE.com>](#)

| | |
|---|---|
| EU RoHS Directive 2011/65/EU | Compliant |
| EU ELV Directive 2000/53/EC | Compliant |
| China RoHS 2 Directive MIIT Order No 32, 2016 | No Restricted Materials Above Threshold |
| EU REACH Regulation (EC) No. 1907/2006 | Current ECHA Candidate List: JUNE 2024 (241) Candidate List Declared Against: JUNE 2024 (241) Does not contain REACH SVHC |
| Halogen Content | Low Halogen - Br, Cl, F, I < 900 ppm per homogenous material. Also BFR/CFR/PVC Free |
| Solder Process Capability | Not applicable for solder process capability |

Product Compliance Disclaimer

This information is provided based on reasonable inquiry of our suppliers and represents our current actual knowledge based on the information they provided. This information is subject to change. The part numbers that TE has identified as EU RoHS compliant have a maximum concentration of 0.1% by weight in homogenous materials for lead, hexavalent chromium, mercury, PBB, PBDE, DBP, BBP, DEHP, DIBP, and 0.01% for cadmium, or qualify for an exemption to these limits as defined in the Annexes of Directive 2011/65/EU (RoHS2). Finished electrical and electronic equipment products will be CE marked as required by Directive 2011/65/EU. Components may not be CE marked. Additionally, the part numbers that TE has identified as EU ELV compliant have a maximum concentration of 0.1% by weight in homogenous materials for lead, hexavalent chromium, and mercury, and 0.01% for cadmium, or qualify for an exemption to these limits as defined in the Annexes of Directive 2000/53/EC (ELV). Regarding the REACH Regulation, the information TE provides on SVHC in articles for this part number is based on the latest European Chemicals Agency (ECHA) 'Guidance on requirements for substances in articles' posted at this URL: <https://echa.europa.eu/guidance-documents/guidance-on-reach>

Compatible Parts




TE Part # 63381-1
PIN .125 TERMINAL REC 22-18 AWG BR



TE Part # 41854
PIN 093 (2.36 MM) REC 22-18 AWG TPBR



TE Part # 42827-2
PIN .093 RECEPTACLE 24-18 AWG TPBR



TE Part # 170073-5
PIN WITH LANCE .093 REC 24-20 PRE-TPBR



TE Part # 62820-1
PIN 093 CRIMP TAB 22-16 AWG PTPBR



TE Part # 170073-2
PIN WITH LANCE .093 REC 24-20 POST-TPBR



TE Part # 1742350-1
PIN 2.08 DIA 22-18AWG TPBR



TE Part # 62402-1
PIN .106 REC 22-18 AWG (OR) 22AWG PTPBR



TE Part # 62505-1
PIN 130 22-18 AWG .0157 X 1.020 BR



TE Part # 160784-3
REC.FOR 2,5 DIA PIN

Customers Also Bought



TE Part #206485-1
CPC PLUG ASSEMBLY SIZE 11-9



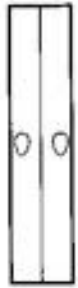
TE Part #66399-4
Pin and Socket Contacts, Type III, LP



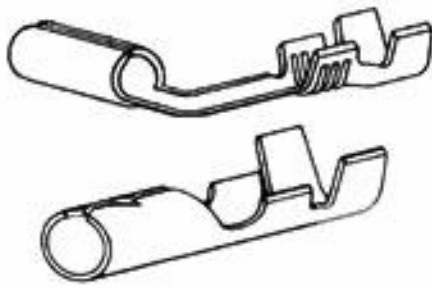
TE Part #66261-1
MALE CONTACT ASSY. (L.P.)



TE Part #485043-2
SPLICE 4000-9000 .020 TPBR



TE Part #31818
SPLICE, SOLIS, BUTT, 22-16 COMM 22-18MIL



TE Part #42581-2
SHUR PLUG 156 RECEPTACLE 22-18 AWG TPBR



TE Part #63130-3
SPLICE REC. 1500-5000 .020 TPBR



TE Part #350015-2
.093 PIN RECPT 22-18 PTPPHBRZ



Documents

Product Drawings

[PIN 093 RECEPTACLE 22-18 AWG BR](#)

English

CAD Files

[3D PDF](#)

3D

[Customer View Model](#)

[ENG_CVM_CVM_60440-1_G_c-60440-1-g.2d_dxf.zip](#)

English

[Customer View Model](#)

[ENG_CVM_CVM_60440-1_G_c-60440-1-g.3d_igs.zip](#)

English

[Customer View Model](#)

[ENG_CVM_CVM_60440-1_G_c-60440-1-g.3d_stp.zip](#)

English

By downloading the CAD file I accept and agree to the [Terms and Conditions](#) of use.

Product Specifications

[Application Specification](#)

English

[Pin Receptacle Contact With Closed Seam](#)

English