




Product information RKMCQ 3

Industrial Connecting Solutions: Circular Connectors: M8 - M12 Connectors: M8 Connectors: Attachable M8 Connectors: female connector: with threaded joint - with Quick connection: RKMCQ 3

<http://www.e-catalog.beldensolutions.com/link/57078-24228-256281-256292-256303-250396-250398-250402-250514/en/conf/ui/state>

Name	RKMCQ 3
	
	Straight cable socket, unassembled, strain relief by means of clamping cage
Delivery informations	
Availability	available
Product description	
Description	Straight cable socket, unassembled, strain relief by means of clamping cage
Type	RKMCQ 3
Order No.	933 366-100
Type of contact	female
Number of contacts	3
Cable gland	M 9.5 x 1
Standard	IEC 61076-2-101 (Ed. 1)/ IEC 60947-5-2
Housing Color	black
Technical data	
Rated voltage	AC/DC 60 V
Rated current	3 A (2 A at 0.14 mm ²)
Type of termination	pin penetration
Suitable cables	diameter 4 mm to 5 mm / 0.14 mm ² to 0.34 mm ²
Core insulation of connecting leads	PVC, PETP, diameter 1.0 mm to 1.55 mm
Material	
Contact material	Cu Sn
Contact surface material	Au
Contact bearer material	PA
Housing material	PA
Coupling nut material	Zn Al/Ni
O-Ring	Viton / NBR
Environmental conditions	
Protection class (IEC 60529)	IP 67
Pollution severity	3
Temperature range	-25 °C to +70 °C
Inflammability class	
Housing	94 V-2
Contact bearer	94 V-2
Packing unit	
Packaging unit	100 pieces



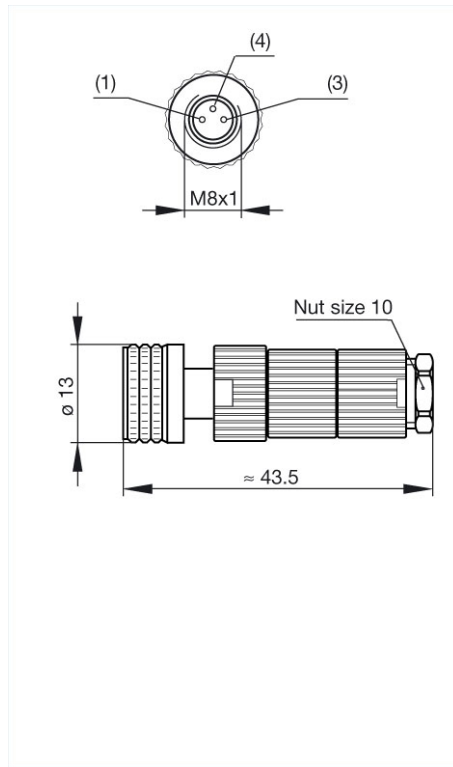
HIRSCHMANN

A BELDEN BRAND

Industrial Connecting Solutions: Circular Connectors: M8 - M12 Connectors: M8 Connectors: Attachable M8 Connectors: female connector: with threaded joint - with Quick connection: RKMCC 3
<http://www.e-catalog.beldensolutions.com/link/57078-24228-256281-256292-256303-250396-250398-250402-250514/en/conf/ui/state>

Picture

Drawing



Belden Deutschland GmbH
Im Gewerbepark 2
58579 Schalksmühle
Germany
Phone: +49 7127/14-1806
E-Mail: icos-sales@belden.com

The information published in the websites has been compiled as carefully as possible. It is subject to alteration without notice in technical as well as in price-related/commercial respect. The complete information and data were available on user documentation. Mandatory information can only be obtained by a concrete query.