

Features

- Supply Voltage: 1.8 V to 5.5 V
- Low Supply Current: 600 nA Maximum per channel
- Offset Voltage: ± 1.5 mV Maximum
- Offset Voltage Temperature Drift: $0.4 \mu\text{V}/^\circ\text{C}$
- Low Input Bias Current: 30pA at -40°C to 85°C
- Input Common-Mode Voltage Range Includes Ground
- Rail-to-Rail Input and Output
- Bandwidth: 10 kHz
- -40°C to 125°C Operation Range

Applications

- Current Sensing
- Threshold Detectors/Discriminators
- Low Power Filters
- Handsets and Mobile Accessories
- Wireless Remote Sensors, Active RFID Readers
- Gas/Oxygen/Environment Sensors
- Battery or Solar Powered Devices
- Sensor Network Powered by Energy Scavenging

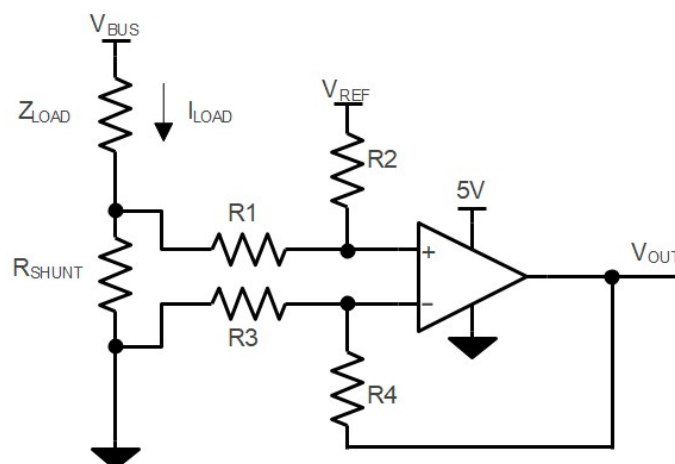
Description

The TP211x series is an ultra-low power, precision CMOS operational amplifier that provides a constant 10-kHz bandwidth and a 10-mV/ μs slew rate with a maximum quiescent current of only 600 nA per amplifier. The ground-sensing input common-mode range, which guarantees a 1.5-mV V_{OS} and an ultra-low $0.4\text{-}\mu\text{V}/^\circ\text{C}$ V_{OS} TC, enables an accurate and stable measurement for both the high-side and low-side current sensing.

The TP211x series has a carefully designed CMOS input stage that outperforms competitors with a typically 0.1-fA I_B . This ultra-low input current significantly reduces I_B and I_{OS} errors introduced in the giga- Ω resistance, high-impedance photodiode, and charge sense situations. The TP211x series is unity gain stable with a 1,000-nF capacitive load. It can operate from a single-supply voltage of +1.8 V to +5.5 V or a dual-supply voltage of ± 0.9 V to ± 2.75 V, and features ground-sensing inputs and the rail-to-rail output.

The combined features make the TP211x series ideally suited for a variety of 2-cell NiCd/Alkaline battery or single-Li+ battery-powered portable applications. Potential applications include low-frequency signal conditioning, mobile accessories, wireless remote sensing, vibration monitors, ECGs, pulse monitors, glucose meters, smoke and fire detectors, and backup battery sensors.

Typical Application Circuit



$$V_{OUT} = (I_{LOAD} \times R_{SHUNT}) \times (R_2 / R_1) + V_{REF}$$

$$\text{When } R_3 = R_1, R_2 = R_4, R_{SHUNT} \ll R_1$$

Table of Contents

Features	1
Applications	1
Description	1
Typical Application Circuit	1
Revision History	3
Pin Configuration and Functions	4
Specifications	7
Absolute Maximum Ratings ⁽¹⁾	7
ESD, Electrostatic Discharge Protection.....	7
Thermal Information.....	7
Electrical Characteristics.....	8
Typical Performance Characteristics.....	10
Detailed Description	14
Overview.....	14
Functional Block Diagram.....	14
Application and Implementation	15
Application Information.....	15
Tape and Reel Information	18
Package Outline Dimensions	20
SOT353(SC70-5).....	20
SOT23-5.....	21
SOP8.....	22
MSOP8.....	23
SOP14.....	24
TSSOP14.....	25
DFN2X2-8-E.....	26
Order Information	27
IMPORTANT NOTICE AND DISCLAIMER	28

Revision History

Date	Revision	Notes
2014-01-01	Rev.A.0	Initial version
2018-12-31	Rev.A.1	Updated with new format Updated Datasheet Limit Corrected the Mark of TP2111-CR: B1C -> B1T
2024-04-11	Rev.A.2	Added the maximum IB at -40°C to 85°C Added new P/N: TP2112-DFGR-S Upgraded format of the datasheet to the latest version

Pin Configuration and Functions

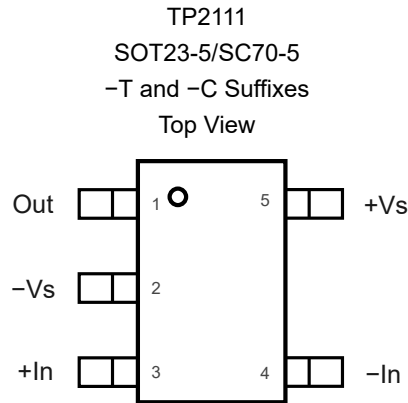
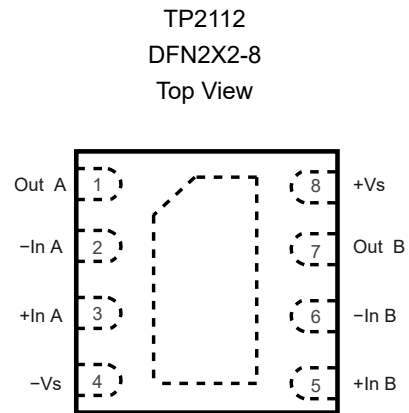
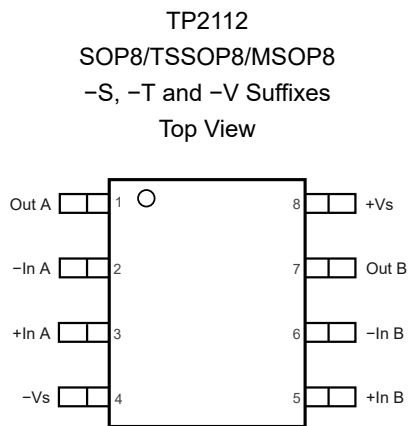


Table 1. Pin Functions: TP2111

Pin No.	Name	I/O	Description
1	Out	O	Output
2	-Vs	Power Supply	Negative power supply
3	+In	I	Noninverting input
4	-In	I	Inverting input
5	+Vs	Power Supply	Positive power supply


Table 2. Pin Functions: TP2112

Pin No.	Name	I/O	Description
1	Out A	O	Output
2	-In A	I	Inverting input
3	+In A	I	Noninverting input
4	-Vs	Power Supply	Negative power supply
5	+In B	I	Noninverting input
6	-In B	I	Inverting input
7	Out B	O	Output
8	+Vs	Power Supply	Positive power supply

TP2114
SOP14/TSSOP14
-S and -T Suffixes
Top View

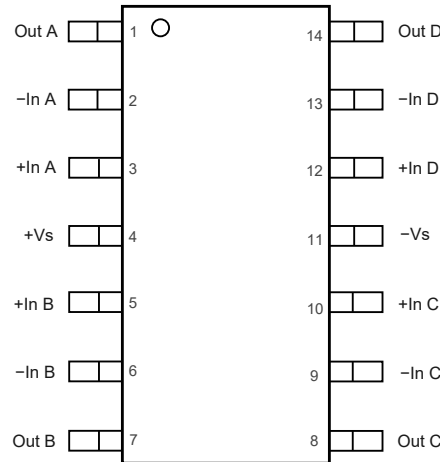


Table 3. Pin Functions: TP2114

Pin No.	Name	I/O	Description
1	Out A	O	Output
2	-In A	I	Inverting input
3	+In A	I	Noninverting input
4	+Vs	Power Supply	Positive power supply
5	+In B	I	Noninverting input
6	-In B	I	Inverting input
7	Out B	O	Output
8	Out C	O	Output
9	-In C	I	Inverting input
10	+In C	I	Noninverting input
11	-Vs	Power Supply	Negative power supply
12	+In D	I	Noninverting input
13	-In D	I	Inverting input
14	Out D	O	Output

Specifications

Absolute Maximum Ratings ⁽¹⁾

Parameter	Min	Max	Unit
Supply Voltage: (+V _S) – (–V _S)		6	V
Input Voltage	(–V _S) – 0.3	(+V _S) + 0.3	V
Differential Input Voltage	–6	+6	V
Input Current: +I _N , –I _N ⁽²⁾	–10	+10	mA
Output Short-Circuit Duration ⁽³⁾		Infinite	
T _J Maximum Operating Junction Temperature		150	°C
T _A Operating Temperature Range	–40	125	°C
T _{STG} Storage Temperature Range	–65	150	°C
T _L Lead Temperature (Soldering, 10 sec)		260	°C

(1) Stresses beyond those listed under Absolute Maximum Ratings may cause permanent damage to the device. Exposure to any Absolute Maximum Rating condition for extended periods may affect device reliability and lifetime.

(2) The inputs are protected by ESD-protection diodes to the negative power supply. If the input extends more than 300 mV beyond the negative power supply, the input current should be limited to less than 10 mA.

(3) A heat sink may be required to keep the junction temperature below the absolute maximum. This depends on the power supply voltage and how many amplifiers are shorted. The thermal resistance varies with the amount of PC board metal connected to the package. The specified values are for short traces connected to the leads.

ESD, Electrostatic Discharge Protection

Symbol	Parameter	Condition	Minimum Level	Unit
HBM	Human Body Model ESD	ANSI/ESDA/JEDEC JS-001 ⁽¹⁾	6	kV
CDM	Charged Device Model ESD	ANSI/ESDA/JEDEC JS-002 ⁽²⁾	2	kV

(1) JEDEC document JEP155 states that 500-V HBM allows safe manufacturing with a standard ESD control process.

(2) JEDEC document JEP157 states that 250-V CDM allows safe manufacturing with a standard ESD control process.

Thermal Information

Package Type	θ _{JA}	θ _{JC}	Unit
SC70-5	400		°C/W
SOT23-5	250	81	°C/W
SOP8	158	43	°C/W
MSOP8	210	45	°C/W
SOP14	120	36	°C/W
TSSOP14	180	35	°C/W

Electrical Characteristics

All test conditions: $V_S = 5\text{ V}$, $T_A = 25^\circ\text{C}$, $R_L = 100\text{ k}\Omega$ to $V_S / 2$, unless otherwise noted.

Symbol	Parameter	Conditions	T_A	Min	Typ	Max	Unit
Power Supply							
V_S	Supply Voltage Range			1.8		5.5	V
I_Q	Quiescent Current per Amplifier	$V_S = 5\text{ V}$			500	600	nA
			-40°C to 125°C			900	nA
PSRR	Power Supply Rejection Ratio	$V_S = 1.8\text{ V}$ to 5.5 V		70	90		dB
Input Characteristics							
V_{OS}	Input Offset Voltage	$V_S = 5\text{ V}$, $V_{CM} = 2.5\text{ V}$		-1.5	0.1	1.5	mV
			-40°C to 125°C	-2.5		2.5	mV
$V_{OS\ TC}$	Input Offset Voltage Drift		-40°C to 125°C		0.4		$\mu\text{V}/^\circ\text{C}$
I_B	Input Bias Current				1		pA
			-40°C to 85°C		4	30 ⁽²⁾	pA
			-40°C to 125°C		10		pA
I_{OS}	Input Offset Current				1		pA
C_{IN}	Input Capacitance	Differential Mode			3		pF
		Common Mode			5		pF
A_v	Open-Loop Voltage Gain			80	120		dB
V_{CMR}	Common-Mode Input Voltage Range			(V-)		(V+)	V
CMRR	Common-Mode Rejection Ratio	$V_{CM} = 0\text{ V}$ to 3.5 V		78	110		dB
		$V_{CM} = 0\text{ V}$ to 5 V		60	80		dB
Output Characteristics							
V_{OH}	Output Voltage Swing from Positive Rail	$R_{LOAD} = 100\text{ k}\Omega$ to $V_S / 2$			10	30	mV
			-40°C to 125°C			50	mV
V_{OL}	Output Voltage Swing from Negative Rail	$R_{LOAD} = 100\text{ k}\Omega$ to $V_S / 2$			10	30	mV
			-40°C to 125°C			50	mV
I_{SC}	Output Short-Circuit Current				20		mA
AC Specifications							
GBW	Gain-Bandwidth Product				10		kHz
SR	Slew Rate	$G = 1, 2\text{-V}$ step			6		$\text{mV}/\mu\text{s}$

Symbol	Parameter	Conditions	T _A	Min	Typ	Max	Unit
t _s	Settling Time, 0.1%	G = 1, 2-V step			0.5		ms
	Settling Time, 0.01%				0.55		ms
PM	Phase Margin	R _L = 100 K, C _L = 60 pF			65		°
GM	Gain Margin	R _L = 100 K, C _L = 60 pF			10		dB
Noise Performance							
E _N	Input Voltage Noise	f = 0.1 Hz to 10 Hz			10		μV _{PP}
e _N	Input Voltage Noise Density	f = 1 kHz			265		nV/ √Hz

- (1) The input offset voltage is the average of the input-referred trip points. The input hysteresis is the difference between the input-referred trip points.
- (2) Provided by the bench test and design simulation.
- (3) The delay time is measured from the mid-point of the input to the mid-point of the output.

Typical Performance Characteristics

All test conditions: $V_S = 5\text{ V}$, $V_{CM} = 2.5\text{ V}$, $R_L = \text{Open}$, unless otherwise noted.

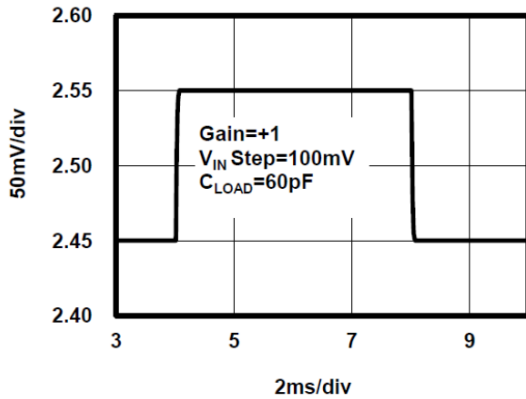


Figure 1. Small-Signal Step Response, 100-mV Step

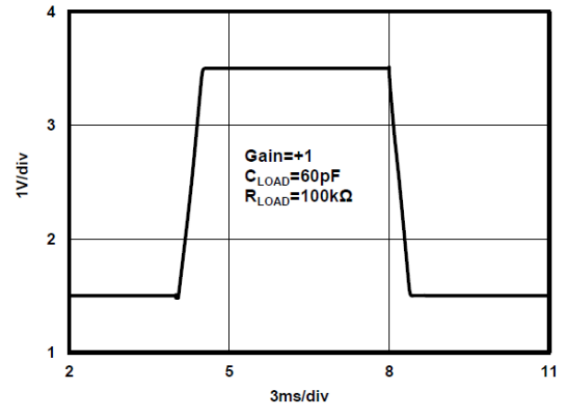


Figure 2. Large-Signal Step Response, 2-V Step

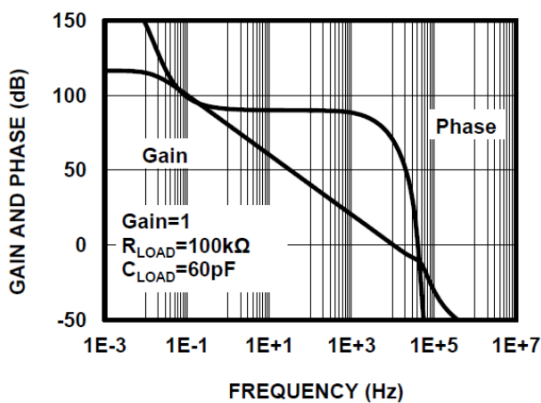


Figure 3. Open-Loop Gain and Phase

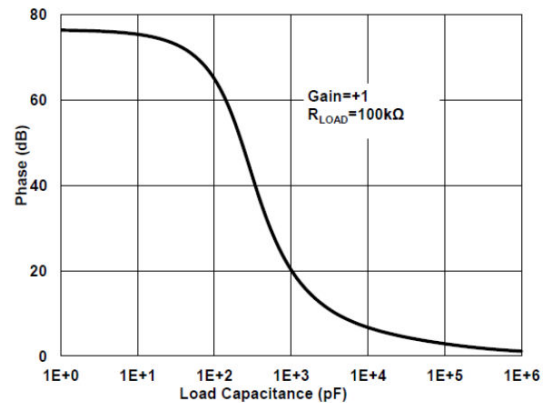


Figure 4. Phase Margin vs. C_{LOAD} (Stable for any C_{LOAD})

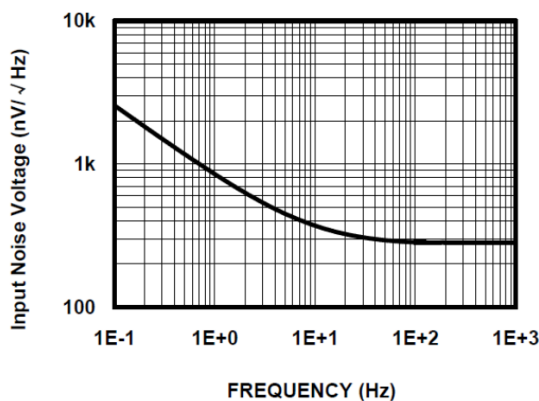


Figure 5. Input Voltage Noise Spectral Density

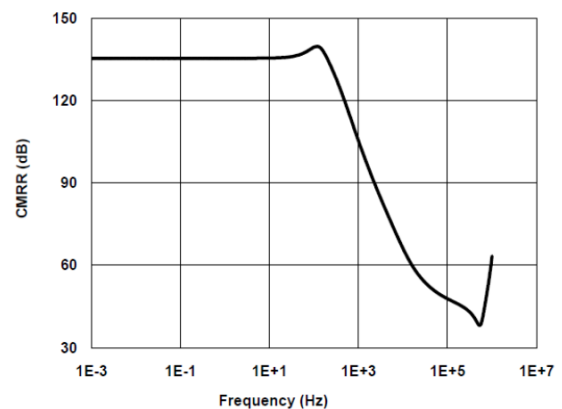


Figure 6. Common-Mode Rejection Ratio

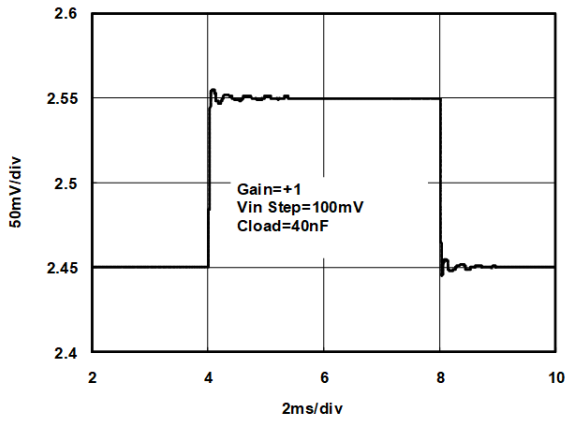


Figure 7. Over-Shoot Voltage, $C_{LOAD} = 40 \text{ nF}$, Gain = +1, $R_{FB} = 100 \text{ k}\Omega$

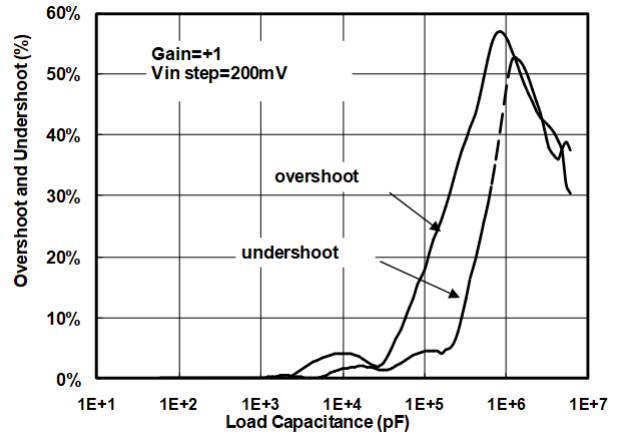


Figure 8. Over-Shoot % vs. C_{LOAD} , Gain = +1, $R_{FB} = 1 \text{ M}\Omega$

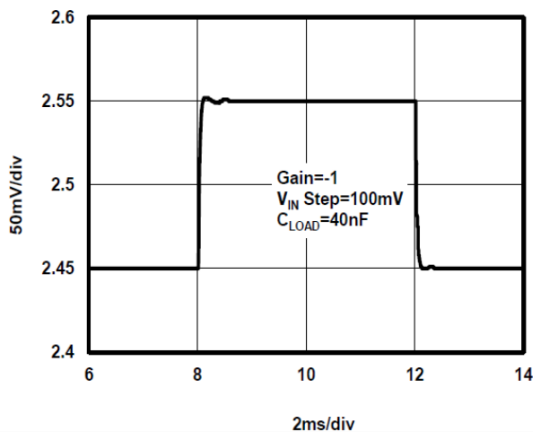


Figure 9. Over-Shoot Voltage, $C_{LOAD} = 40 \text{ nF}$, Gain = -1, $R_{FB} = 100 \text{ k}\Omega$

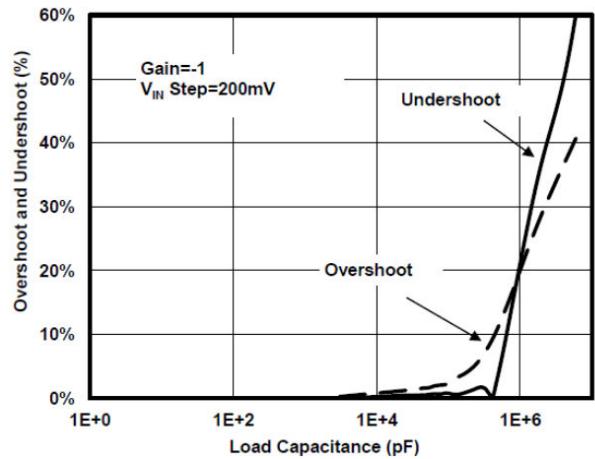


Figure 10. Over-Shoot % vs. C_{LOAD} , Gain = -1, $R_{FB} = 1 \text{ M}\Omega$

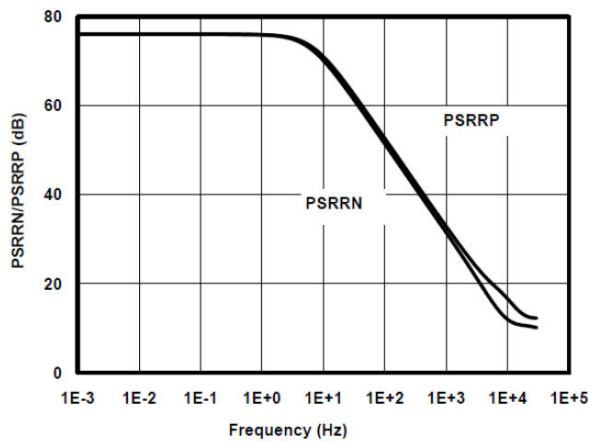


Figure 11. Power-Supply Rejection Ratio

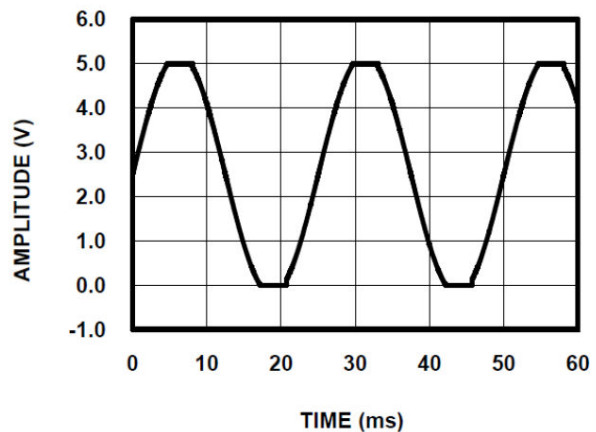


Figure 12. $V_{IN} = -0.2 \text{ V}$ to 5.2 V , No Phase Reversal

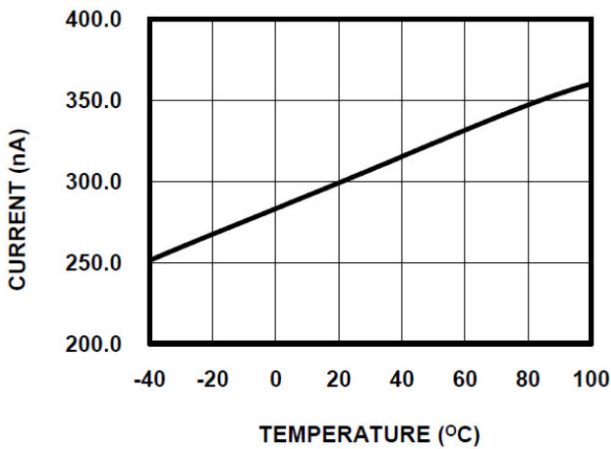


Figure 13. Quiescent Supply Current vs. Temperature

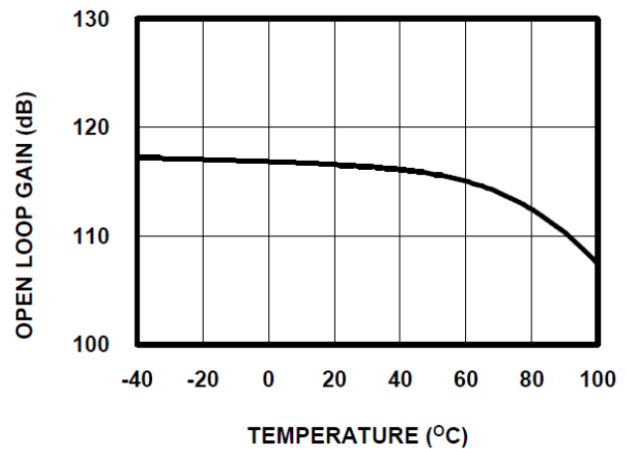


Figure 14. Open-Loop Gain vs. Temperature

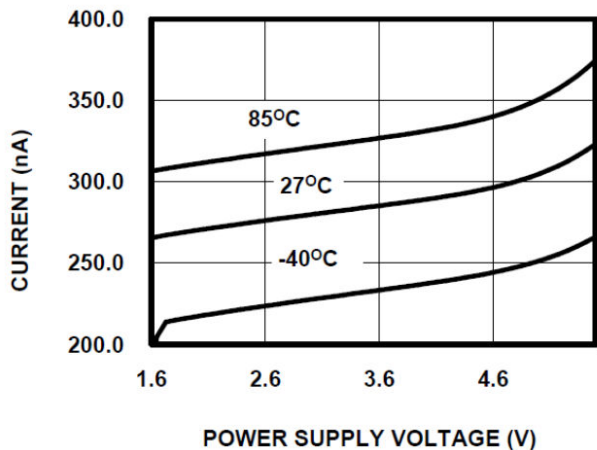


Figure 15. Quiescent Supply Current vs. Supply Voltage

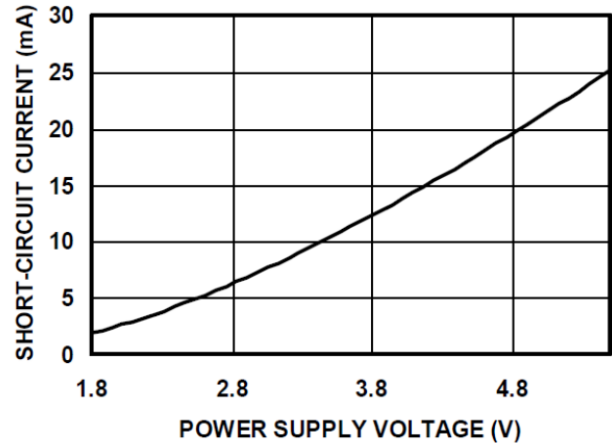


Figure 16. Short-Circuit Current vs. Supply Voltage

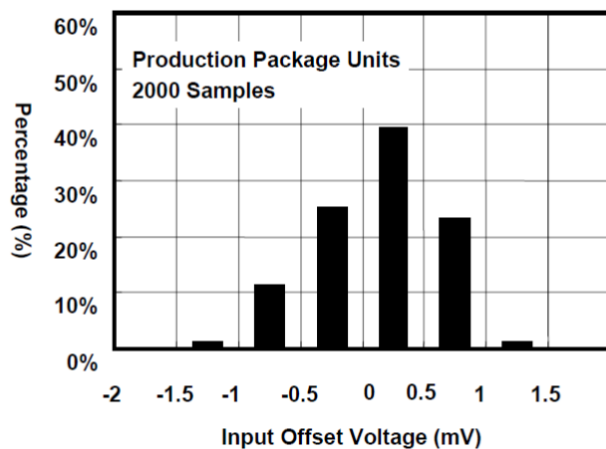


Figure 17. Input Offset Voltage Distribution

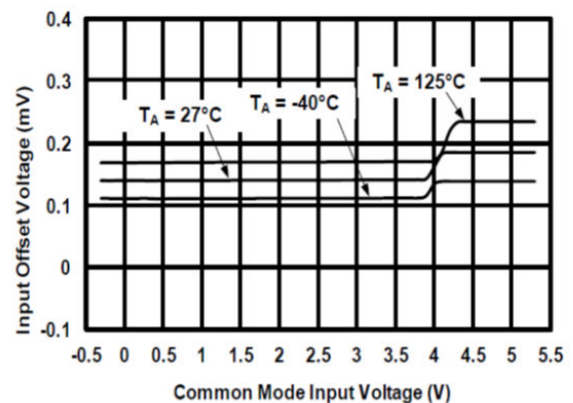


Figure 18. Input Offset Voltage vs. Common-Mode Input Voltage

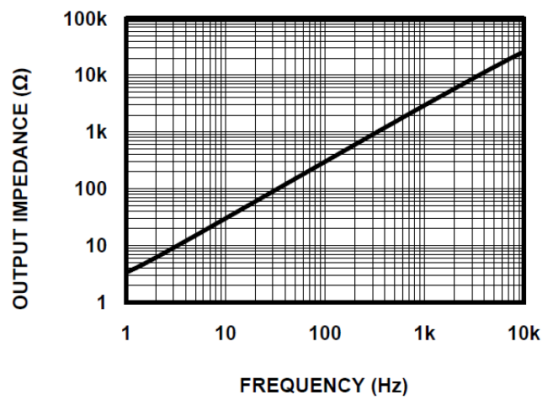


Figure 19. Closed-Loop Output Impedance vs. Frequency

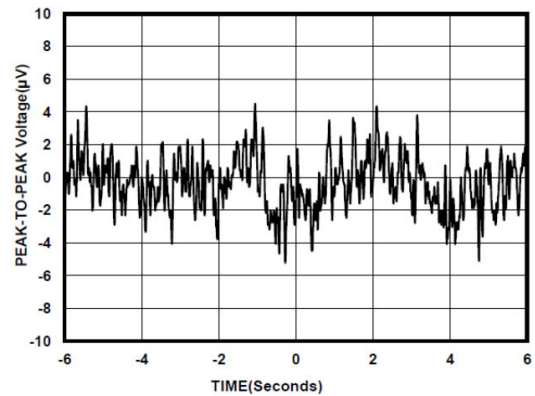


Figure 20. 0.1-Hz to 10-Hz Time Domain Output Voltage Noise

Detailed Description

Overview

The TP211x series is an ultra-low power, precision CMOS operational amplifier that provides a constant 10-kHz bandwidth and a 10-mV/ μ s slew rate with a maximum quiescent current of only 600 nA per amplifier. The ground-sensing input common-mode range, which guarantees a 1.5-mV V_{OS} and an ultra-low 0.4- μ V/ $^{\circ}$ C V_{OS} TC, enables an accurate and stable measurement for both the high-side and low-side current sensing.

Functional Block Diagram

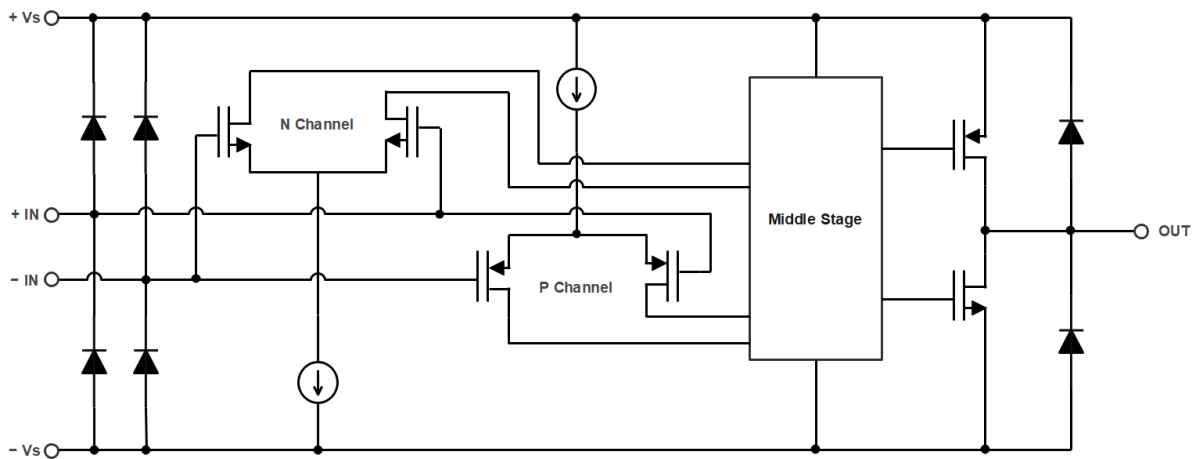


Figure 21. Functional Block Diagram

Application and Implementation

Note

Information in the following application sections is not part of the 3PEAK's component specification and 3PEAK does not warrant its accuracy or completeness. 3PEAK's customers are responsible for determining suitability of components for their purposes. Customers should validate and test their design implementation to confirm system functionality.

Application Information

Low Supply Voltage and Low Power Consumption

The TP211x family of operational amplifiers can operate with power supply voltages from 2.1 V to 6.0 V. Each amplifier draws a quiescent current of only 300 nA. The low supply voltage capability and low supply current are ideal for portable applications that require high capacitive load driving capability and constant wide bandwidth. The TP211x family is optimized for wide-bandwidth low-power applications. It has an industry-leading high GBWP to power ratio and is unity gain stable for any capacitive load. When the load capacitance increases, the increased capacitance at the output pushes the non-dominant pole to lower the frequency in the open-loop frequency response, lowering the phase and gain margin. Higher gain configurations tend to have better capacitive drive capability than lower gain configurations due to lower closed-loop bandwidth and higher phase margin.

Low Input Referred Noise

The TP211x family provides a low input referred noise density of 296 nV/ $\sqrt{\text{Hz}}$ at 1 kHz. The voltage noise grows slowly with the frequency in the wideband range, and the input voltage noise is typically 12 μV_{PP} at the frequency of 0.1 Hz to 10 Hz.

Low Input Offset Voltage

The TP211x family has a low offset voltage of 1.5 mV maximum which is essential for precision applications. The offset voltage is trimmed with a proprietary trim algorithm to ensure the low offset voltage for precision signal processing requirements.

Low Input Bias Current

The TP211x family is a CMOS OPA family and features a very low input bias current in the pA range. The low input bias current allows the amplifiers to be used in applications with high-resistance sources. Care must be taken to minimize the PCB surface leakage. See the [PCB Surface Leakage](#) section below for more details.

PCB Surface Leakage

In applications where the low input bias current is critical, the Printed Circuit Board (PCB) surface leakage effects need to be considered. The surface leakage is caused by humidity, dust, or other contamination on the board. Under low humidity conditions, a typical resistance between nearby traces is $10^{12} \Omega$. A 5-V difference would cause a 5-pA current to flow, which is greater than the input bias current of the TP211x series at +27°C (± 1 pA, typical). It is recommended to use the multi-layer PCB layout and route the $-IN$ and $+IN$ signal of the device under the PCB surface.

An effective way to reduce surface leakage is to use a guard ring around the sensitive pins (or traces). The guard ring is biased at the same voltage as the sensitive pin. An example of this type of layout is shown in [Figure 22](#) for inverting gain applications.

1. For noninverting gain and unity-gain buffers:
 - a. Connect the noninverting pin ($V_{\text{IN}+}$) to the input with a wire that does not touch the PCB surface.
 - b. Connect the guard ring to the inverting input pin ($V_{\text{IN}-}$). This biases the guard ring to the common-mode input voltage.
2. For inverting gain and transimpedance gain amplifiers (convert current to voltage, such as photo detectors):

- Connect the guard ring to the noninverting input pin (V_{IN+}). This biases the guard ring to the same reference voltage as the operational amplifier (e.g., $V_{DD} / 2$ or ground).
- Connect the inverting pin (V_{IN-}) to the input with a wire that does not touch the PCB surface.

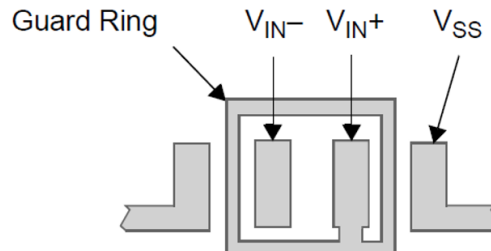


Figure 22. PCB Surface Leakage

Ground Sensing and Rail-to-Rail Output

The TP211x family has excellent output drive capability, delivering an output drive current of over 10 mA. The output stage is a rail-to-rail topology that is capable of swinging to within 10 mV of either rail. Since the inputs can go 300 mV beyond either rail, the operational amplifier can easily perform 'True Ground Sensing'.

The maximum output current is a function of the total supply voltage. As the supply voltage to the amplifier increases, the output current capability also increases. Attention must be paid to keeping the junction temperature of the IC below 150°C when the output is in continuous short-circuit. The output of the amplifier has reverse-biased ESD diodes connected to each supply. The output should not be forced more than 0.5 V beyond either supply, otherwise the current flows through these diodes.

ESD

The TP211x family has reverse-biased ESD protection diodes on all inputs and outputs. The input and output pins cannot be biased more than 300 mV beyond either supply rail.

Driving Large Capacitive Load

The TP211x family is designed to drive large capacitive loads. Refer to [Typical Performance Characteristics](#) for [Figure 4](#). As always, a larger load capacitance decreases the overall phase margin in a feedback system where internal frequency compensation is utilized. As the load capacitance increases, the phase margin of the feedback loop decreases, and the closed-loop bandwidth is reduced. This produces the gain peaking in the frequency response, with overshoot and ringing in the output step response. The unity-gain buffer ($G = +1$ V/V) is the most sensitive to large capacitive loads.

When driving large capacitive loads with the TP211x family (e.g., > 200 pF when $G = +1$ V/V), a small series resistor at the output (R_{ISO} in [Figure 23](#)) improves the phase margin and stability of the feedback loop by making the output load resistive at higher frequencies.

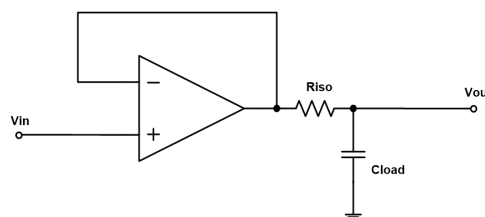


Figure 23. Driving Large Capacitive Load

Power Supply Layout and Bypass

The power supply pin (V_{DD} for single-supply) of the TP211x family should have a local bypass capacitor (i.e., 0.01 μF to 0.1 μF) within 2 mm for good high-frequency performance. It can also use a bulk capacitor (i.e., 1 μF or larger) within 100 mm to provide large and slow currents. This bulk capacitor can be shared with other analog parts.

The ground layout improves performance by decreasing the amount of the stray capacitance and noise at the inputs and outputs of the operational amplifier. To decrease the stray capacitance, minimize the PC board lengths and resistor leads, and place external components as close to the pins as possible.

Proper Board Layout

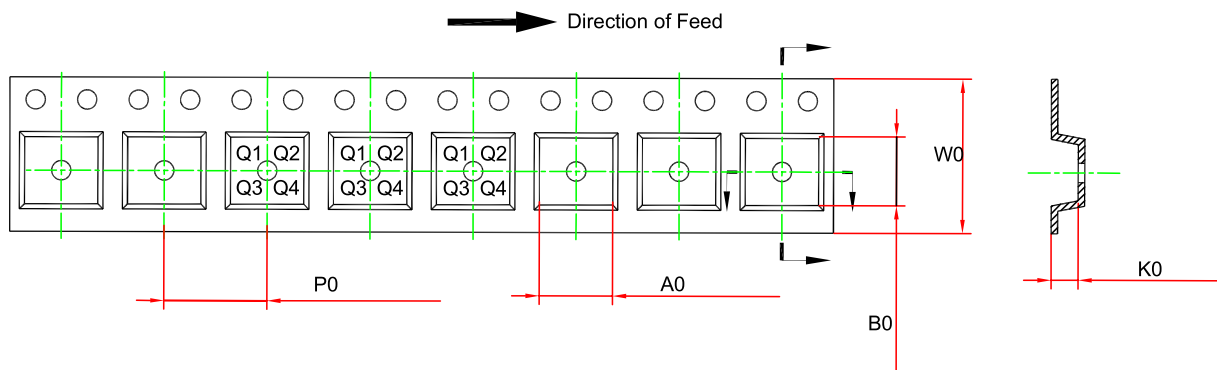
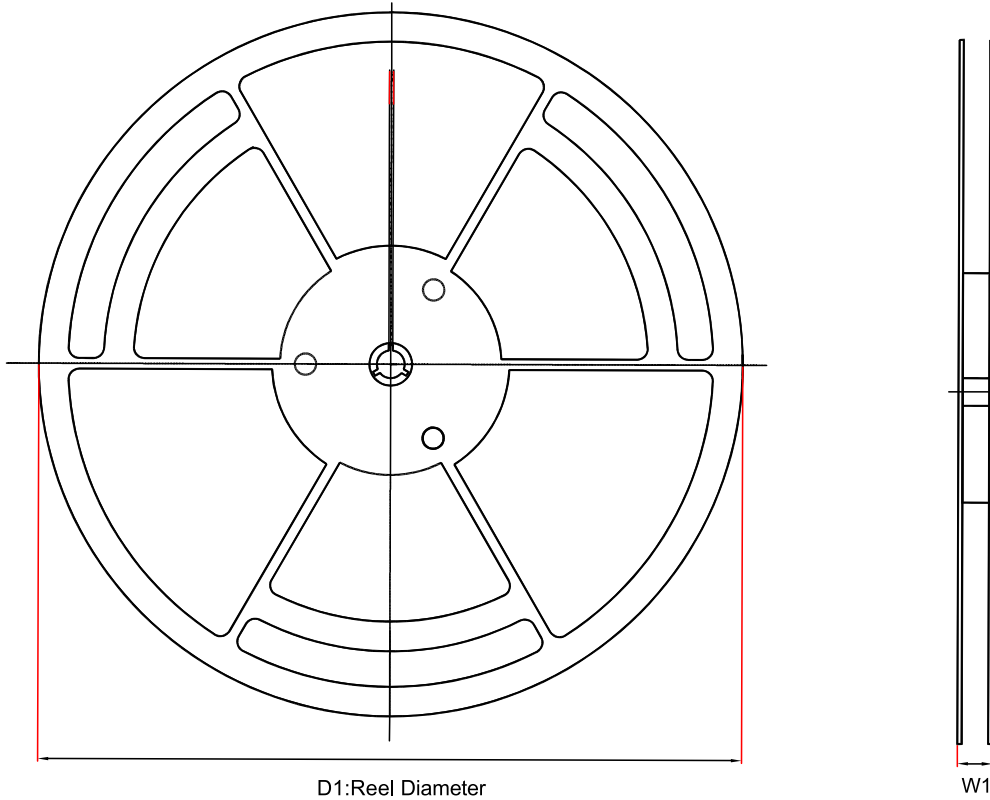
To ensure optimum performance at the PCB level, care must be taken in the design of the board layout. To avoid leakage currents, the surface of the board should be kept clean and free of moisture. The coating of the surface creates a barrier to the moisture accumulation and helps reduce the parasitic resistance on the board.

Keeping supply traces short and properly bypassing the power supplies can minimize power supply disturbances due to the output current variation, for example when driving an AC signal into a heavy load. Bypass capacitors should be connected as closely as possible to the supply pins of the device. The stray capacitance is a concern at the inputs and outputs of the amplifier. It is recommended that signal traces should be kept at least 5 mm from supply lines to minimize the coupling.

A variation in temperature across the PCB can cause a mismatch in the Seebeck voltages at solder joints and other points where dissimilar metals are in contact, resulting in thermal voltage errors. To minimize these thermocouple effects, orient the resistors, so heat sources can warm both ends equally. Input signal paths should contain matching numbers and types of components, where possible to match the numbers and types of thermocouple junctions. For example, dummy components such as zero-value resistors can be used to match real resistors in the opposite input path. Matching components should be in close proximity and oriented in the same manner. Ensure the leads are of equal length so that the thermal conduction is in equilibrium. Keep heat sources on the PCB as far away from amplifier input circuitry as is practical.

The use of a ground plane is highly recommended. A ground plane reduces the EMI noise and helps to maintain a constant temperature across the circuit board.

Tape and Reel Information

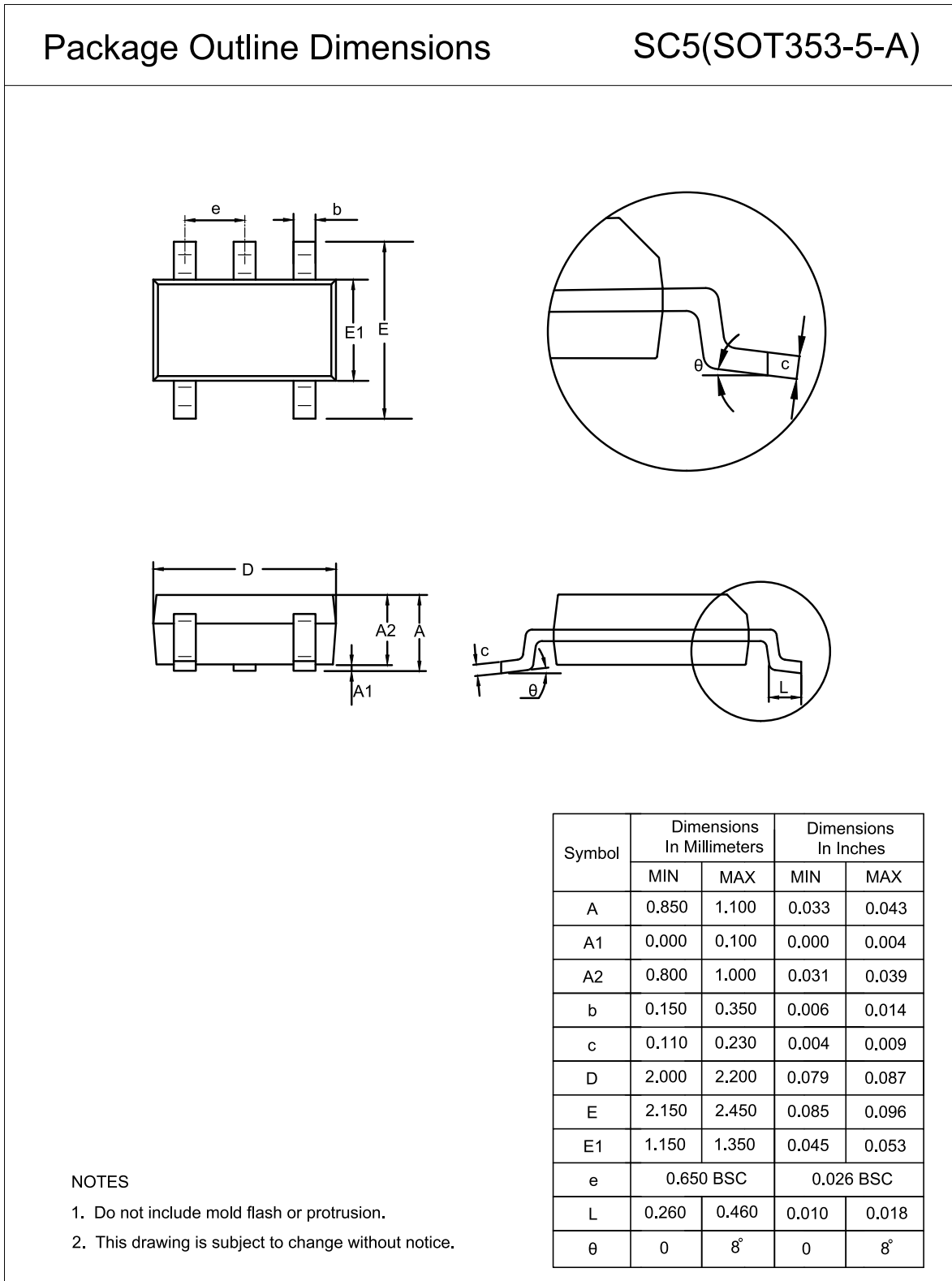


Order Number	Package	D1 (mm)	W1 (mm)	A0 (mm)	B0 (mm)	K0 (mm)	P0 (mm)	W0 (mm)	Pin1 Quadrant
TP2111-CR	SC70-5	178.0	12.1	2.4	2.5	1.2	4.0	8.0	Q3
TP2111-TR	SOT23-5	180.0	12.0	3.3	3.25	1.4	4.0	8.0	Q3
TP2112-SR	SOP8	330.0	17.6	6.5	5.4	2.0	8.0	12.0	Q1
TP2112-VR	MSOP8	330.0	17.6	5.3	3.4	1.3	8.0	12.0	Q1
TP2114-SR	SOP14	330.0	21.6	6.5	9.15	1.8	8.0	16.0	Q1
TP2114-TR	TSSOP14	330.0	17.6	6.8	5.5	1.3	8.0	12.0	Q1

Order Number	Package	D1 (mm)	W1 (mm)	A0 (mm)	B0 (mm)	K0 (mm)	P0 (mm)	W0 (mm)	Pin1 Quadrant
TP2112- DFGR-S	DFN2×2-8	180.0	12.5	2.2	2.2	0.7	4.0	8.0	Q1

Package Outline Dimensions

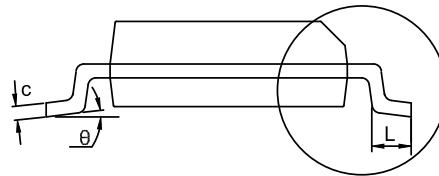
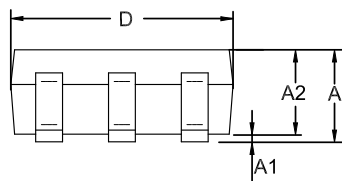
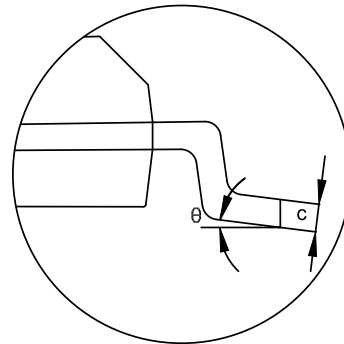
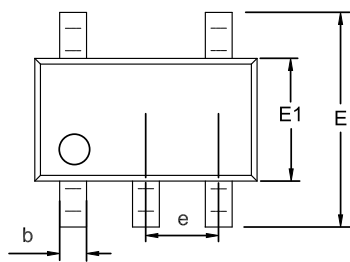
SOT353(SC70-5)



SOT23-5

Package Outline Dimensions

S5T(SOT23-5-A)



Symbol	Dimensions In Millimeters		Dimensions In Inches	
	MIN	MAX	MIN	MAX
A	1.050	1.250	0.041	0.049
A1	0.000	0.150	0.000	0.006
A2	1.000	1.200	0.039	0.047
b	0.280	0.500	0.011	0.020
c	0.100	0.230	0.004	0.009
D	2.820	3.020	0.111	0.119
E	2.600	3.000	0.102	0.118
E1	1.500	1.720	0.059	0.068
e	0.950 BSC		0.037 BSC	
L	0.300	0.600	0.012	0.024
θ	0	8°	0	8°

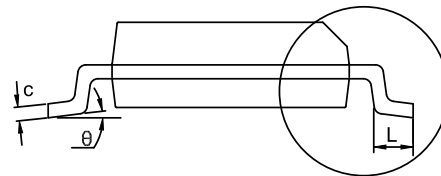
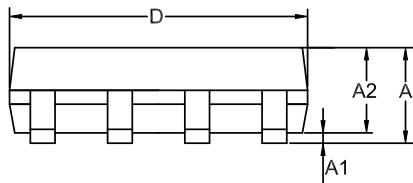
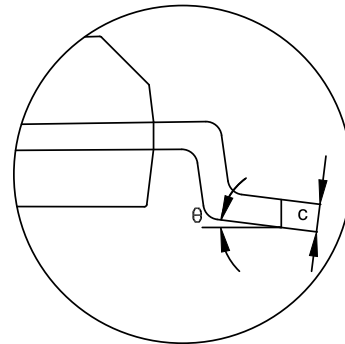
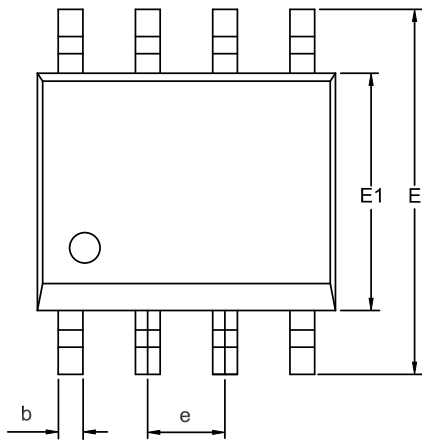
NOTES

1. Do not include mold flash or protrusion.
2. This drawing is subject to change without notice.

SOP8

Package Outline Dimensions

SO1(SOP-8-A)



Symbol	Dimensions In Millimeters		Dimensions In Inches	
	MIN	MAX	MIN	MAX
A	1.350	1.750	0.053	0.069
A1	0.050	0.250	0.002	0.010
A2	1.250	1.550	0.049	0.061
b	0.330	0.510	0.013	0.020
c	0.170	0.250	0.007	0.010
D	4.700	5.100	0.185	0.201
E	5.800	6.200	0.228	0.244
E1	3.800	4.000	0.150	0.157
e	1.270 BSC		0.050 BSC	
L	0.400	1.000	0.016	0.039
θ	0	8°	0	8°

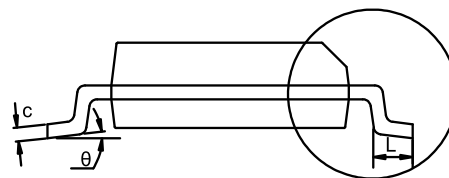
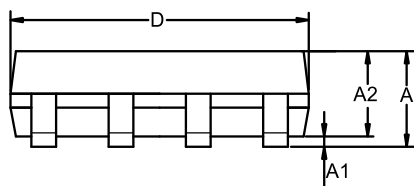
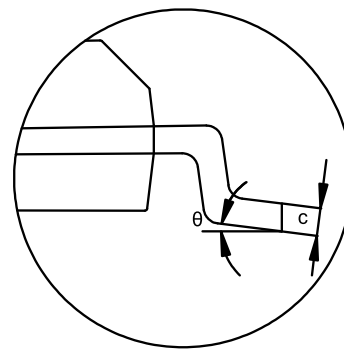
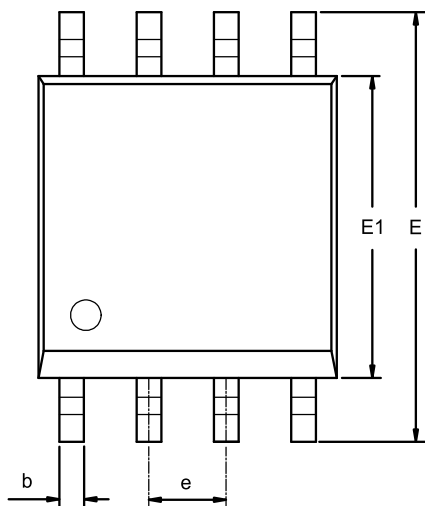
NOTES

1. Do not include mold flash or protrusion.
2. This drawing is subject to change without notice.

MSOP8

Package Outline Dimensions

VS1(MSOP-8-A)



Symbol	Dimensions In Millimeters		Dimensions In Inches	
	MIN	MAX	MIN	MAX
A	0.800	1.100	0.031	0.043
A1	0.020	0.150	0.001	0.006
A2	0.750	0.950	0.030	0.037
b	0.250	0.380	0.010	0.015
c	0.090	0.230	0.004	0.009
D	2.900	3.100	0.114	0.122
E	4.700	5.100	0.185	0.201
E1	2.900	3.100	0.114	0.122
e	0.650 BSC		0.026 BSC	
L	0.400	0.800	0.016	0.031
θ	0	8°	0	8°

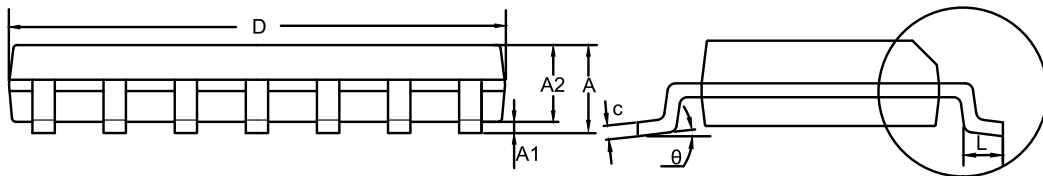
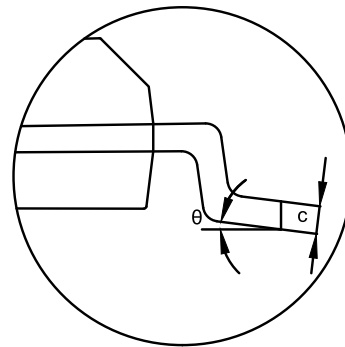
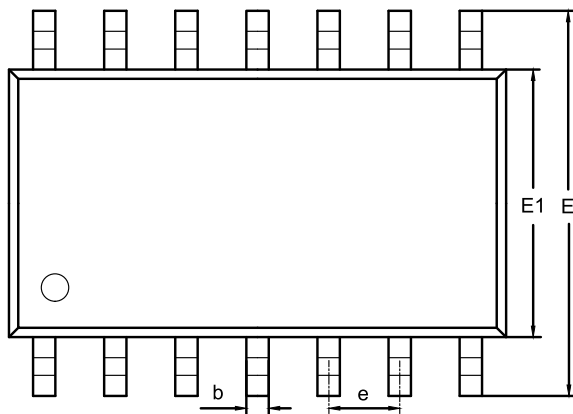
NOTES

1. Do not include mold flash or protrusion.
2. This drawing is subject to change without notice.

SOP14

Package Outline Dimensions

SO2(SOP-14-A)

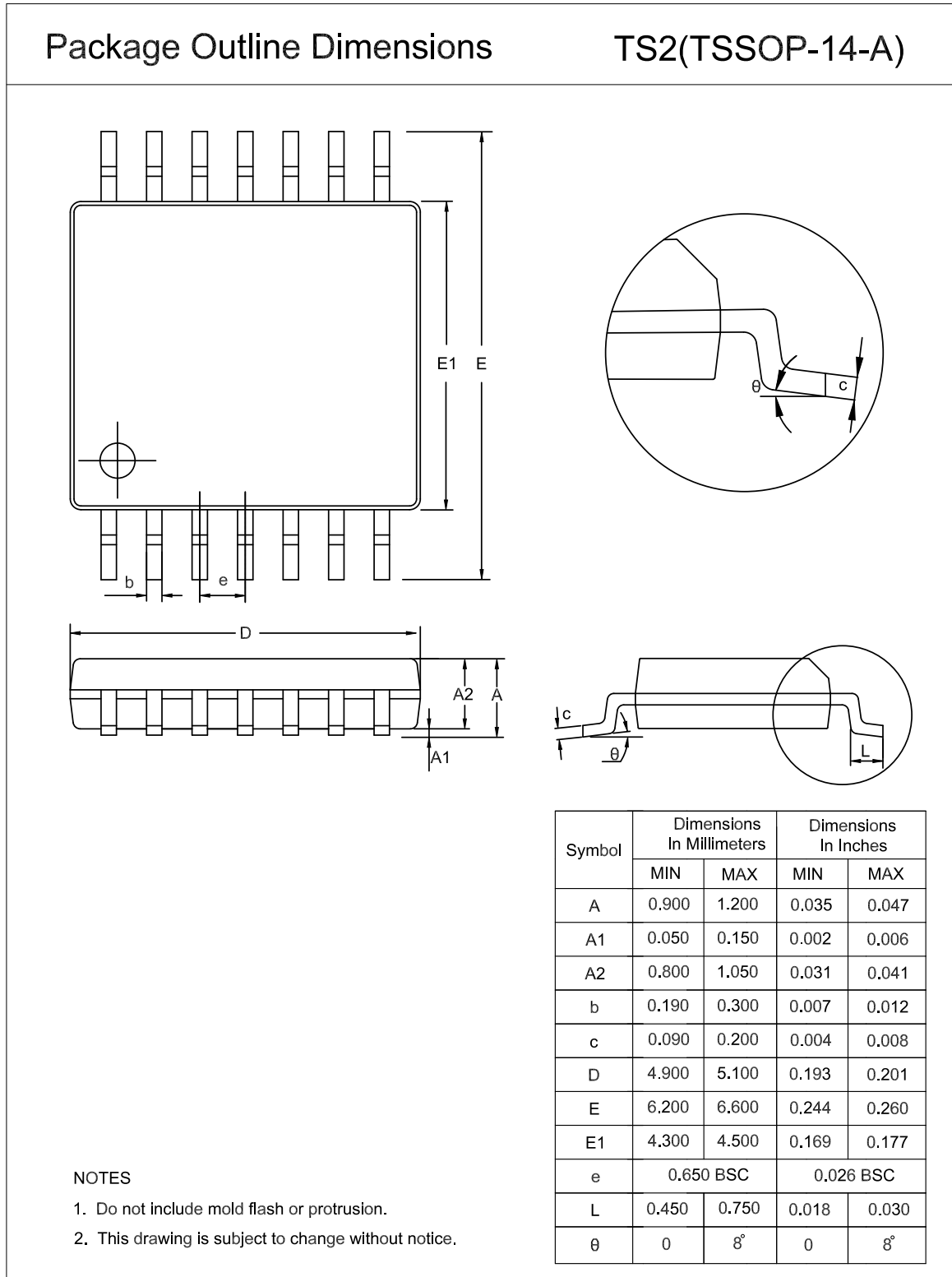


Symbol	Dimensions In Millimeters		Dimensions In Inches	
	MIN	MAX	MIN	MAX
A	1.350	1.750	0.053	0.069
A1	0.050	0.250	0.002	0.010
A2	1.250	1.650	0.049	0.065
b	0.310	0.510	0.012	0.020
c	0.100	0.250	0.004	0.010
D	8.450	8.850	0.333	0.348
E	5.800	6.200	0.228	0.244
E1	3.800	4.000	0.150	0.157
e	1.270 BSC		0.050 BSC	
L	0.400	1.270	0.016	0.050
θ	0	8°	0	8°

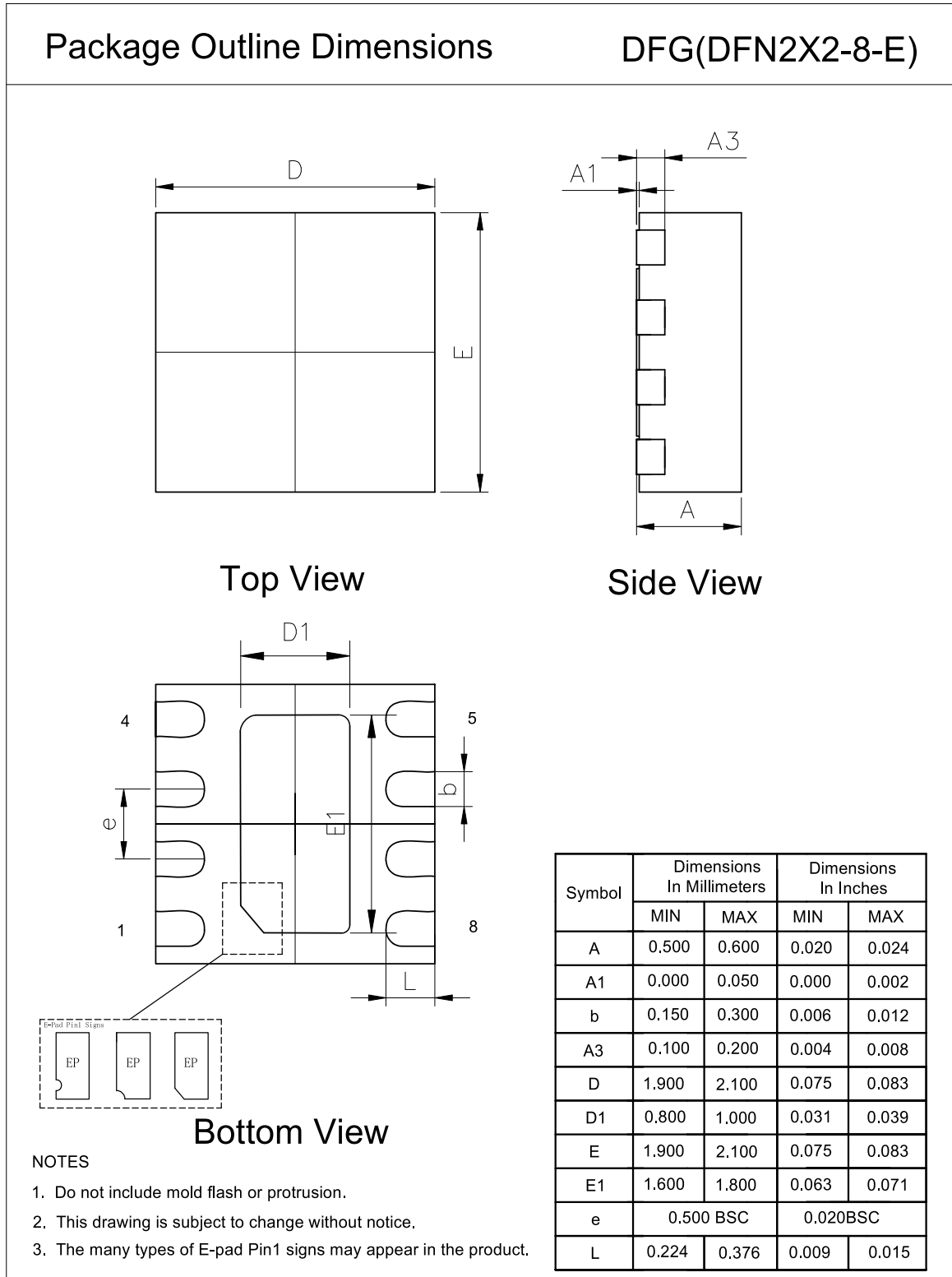
NOTES

1. Do not include mold flash or protrusion.
2. This drawing is subject to change without notice.

TSSOP14



DFN2X2-8-E



Order Information

Order Number	Operating Temperature Range	Package	Marking Information	MSL	Transport Media, Quantity	Eco Plan
TP2111-TR	-40 to 125°C	SOT23-5	B1TYW ⁽¹⁾	3	Tape and Reel, 3000	Green
TP2111-CR	-40 to 125°C	SC70-5	B1TYW ⁽¹⁾	3	Tape and Reel, 3000	Green
TP2112-SR	-40 to 125°C	SOP8	B12S AAYW ⁽¹⁾	3	Tape and Reel, 4000	Green
TP2112-VR	-40 to 125°C	MSOP8	B12V AAYW ⁽¹⁾	3	Tape and Reel, 3000	Green
TP2114-SR ⁽³⁾	-40 to 125°C	SOP14	2114 AAYW ⁽¹⁾	3	Tape and Reel, 2500	Green
TP2114-TR ⁽³⁾	-40 to 125°C	TSSOP14	2114 AAYW ⁽¹⁾	3	Tape and Reel, 3000	Green
TP2112-DFGR-S ⁽³⁾	-40 to 125°C	DFN2×2-8	A54	3	Tape and Reel, 3000	Green

(1) "AA" identifies the manufacture site. "YW" is the date code which means the manufacture year and week as follows.

(2) The sample will be ready in 2 months.

(3) For future products, contact the 3PEAK factory for more information and samples.

Green: 3PEAK defines "Green" to mean RoHS compatible and free of halogen substances.

The calendar year and the workweek coding scheme is as follows:

Year	Code	Year	Code	Workweek Code	Workweek Code	Workweek Code	Workweek Code	Workweek Code	
2010	A	2023	N	1	1	14	E	27	R
2011	B	2024	O	2	2	15	F	28	S
2012	C	2025	P	3	3	16	G	29	T
2013	D	2026	Q	4	4	17	H	30	U
2014	E	2027	R	5	5	18	I	31	V
2015	F	2028	S	6	6	19	J	32	W
2016	G	2029	T	7	7	20	K	33	X
2017	H	2030	U	8	8	21	L	34	Y
2018	I	2031	V	9	9	22	M	35	Z
2019	J	2032	W	10	A	23	N	36	a
2020	K	2033	X	11	B	24	O	37	b
2021	L	2034	Y	12	C	25	P	38	c
2022	M	2035	Z	13	D	26	Q	39	d
								40	e
								41	f
								42	g
								43	h
								44	i
								45	j
								46	k
								47	l
								48	m
								49	n
								50	o
								51	p
								52	q
								53	r

IMPORTANT NOTICE AND DISCLAIMER

Copyright© 3PEAK 2012-2024. All rights reserved.

Trademarks. Any of the 思瑞浦 or 3PEAK trade names, trademarks, graphic marks, and domain names contained in this document /material are the property of 3PEAK. You may NOT reproduce, modify, publish, transmit or distribute any Trademark without the prior written consent of 3PEAK.

Performance Information. Performance tests or performance range contained in this document/material are either results of design simulation or actual tests conducted under designated testing environment. Any variation in testing environment or simulation environment, including but not limited to testing method, testing process or testing temperature, may affect actual performance of the product.

Disclaimer. 3PEAK provides technical and reliability data (including data sheets), design resources (including reference designs), application or other design recommendations, networking tools, security information and other resources "As Is". 3PEAK makes no warranty as to the absence of defects, and makes no warranties of any kind, express or implied, including without limitation, implied warranties as to merchantability, fitness for a particular purpose or non-infringement of any third-party's intellectual property rights. Unless otherwise specified in writing, products supplied by 3PEAK are not designed to be used in any life-threatening scenarios, including critical medical applications, automotive safety-critical systems, aviation, aerospace, or any situations where failure could result in bodily harm, loss of life, or significant property damage. 3PEAK disclaims all liability for any such unauthorized use.