

# ME 22,5 F-UTG/FE GN - Mounting base housing

2854157

<https://www.phoenixcontact.com/us/products/2854157>

Please be informed that the data shown in this PDF document is generated from our online catalog. Please find the complete data in the user documentation. Our general terms of use for downloads are valid.



DIN rail housing, Lower housing part with metal foot catch and FE contact, flat design, without vents, width: 22.6 mm, height: 99 mm, depth: 84.8 mm, color: green (similar RAL 6021), cross connection: without bus connector, number of positions cross connector: not relevant

## Your advantages

- Tool-free mounting
- Available in overall widths from 12.5 mm ... 90 mm, modular extension is possible
- Flammability rating V0 in accordance with UL 94
- Variety of connection technology
- Can be mounted on the DIN rail
- With integrated or DIN-rail-mountable bus connector as an option

## Commercial data

Item number	2854157
Packing unit	10 pc
Minimum order quantity	1 pc
Product key	ACHAAA
Catalog page	Page 659 (C-1-2013)
GTIN	4017918190149
Weight per piece (including packing)	38.41 g
Weight per piece (excluding packing)	31.848 g
Country of origin	DE

# ME 22,5 F-UTG/FE GN - Mounting base housing

2854157

<https://www.phoenixcontact.com/us/products/2854157>

## Technical data

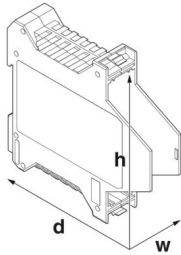
### Notes

Assembly note	Refer to the data sheet for the range in the download area.
---------------	---

### Product properties

Product type	Enclosure bottom part
Housing type	DIN rail housing
Housing series	ME
Product family	ME 22,5..
Type	Lower housing parts without vents, housing cover necessary to complete the module
Max. number of positions	0)
Type	Lower housing part with metal foot catch and FE contact, flat design
Ventilation openings present	no

### Dimensions

Dimensional drawing	
Width	22.6 mm
Height	99 mm
Depth	84.8 mm
Depth from top edge of DIN rail	78.2 mm
Depth from top edge of DIN rail to support point on upper part	46 mm

### PCB design

PCB thickness	1.4 mm ... 1.8 mm
---------------	-------------------

### Material specifications

Color (Housing)	green (RAL 6021)
Flammability rating according to UL 94	V0
CTI according to IEC 60112	600
Housing material	Polyamide
Surface characteristics	untreated

### Environmental and real-life conditions

Power dissipation single housing for 20 °C

# ME 22,5 F-UTG/FE GN - Mounting base housing



2854157

<https://www.phoenixcontact.com/us/products/2854157>

Ambient temperature	20 °C
Reduction factor	1
Mounting position	vertical
Power dissipation	5.5 W

## Power dissipation single housing for 30 °C

Ambient temperature	30 °C
Reduction factor	0.91
Mounting position	vertical
Power dissipation	5 W

## Power dissipation single housing for 40 °C

Ambient temperature	40 °C
Reduction factor	0.81
Mounting position	vertical
Power dissipation	4.4 W

## Power dissipation single housing for 50 °C

Ambient temperature	50 °C
Reduction factor	0.7
Mounting position	vertical
Power dissipation	3.8 W

## Power dissipation single housing for 60 °C

Ambient temperature	60 °C
Reduction factor	0.57
Mounting position	vertical
Power dissipation	3.1 W

## Power dissipation single housing for 70 °C

Ambient temperature	70 °C
Reduction factor	0.49
Mounting position	vertical
Power dissipation	2.7 W

## Vibration test

Specification	IEC 60068-2-6:2007-12
Frequency	10 - 150 - 10 Hz
Sweep speed	1 octave/min
Amplitude	0.15 mm (10 Hz ... 58.1 Hz)
Acceleration	2g (58.1 Hz ... 150 Hz)
Test duration per axis	2.5 h
Test directions	X-, Y- and Z-axis

## Glow-wire test

Specification	IEC 60695-2-11:2014-02
Temperature	850 °C

# ME 22,5 F-UTG/FE GN - Mounting base housing



2854157

<https://www.phoenixcontact.com/us/products/2854157>

Time of exposure	30 s
------------------	------

## Thermal stability / ball thrust test

Specification	IEC 60695-10-2:2014-02
Temperature	125 °C
Test duration	1 h
Force	20 N

## Mechanical strength / tumbling barrel

Specification	IEC 60998-1:2002-12
Height of fall	50 cm
Frequency	10

## Shocks

Specification	IEC 60068-2-27:2008-02
Pulse shape	Half-sine
Acceleration	15g
Shock duration	11 ms
Number of shocks per direction	3
Test directions	X-, Y- and Z-axis (pos. and neg.)

## Degree of protection (IP code)

Specification	IEC 60529:1989-11 + AMD 1:1999-11 + AMD 2:2013-08
---------------	---

## Ambient conditions

Max. IP code to attain	IP20
Ambient temperature (operation)	-40 °C ... 105 °C (depending on power dissipation)
Ambient temperature (storage/transport)	-40 °C ... 55 °C
Ambient temperature (assembly)	-5 °C ... 100 °C
Relative humidity (storage/transport)	80 %

## PCB data

Number of PCB holders	1
Type of PCB mount	Insertion (optional latching by PCB stop)
Thickness of the PCB	1.4 mm ... 1.8 mm

## Mounting

Mounting type	DIN rail mounting
Mounting position	Vertical (horizontal DIN rail)

## Packaging specifications

Type of packaging	packed in cardboard
Outer packaging type	Carton

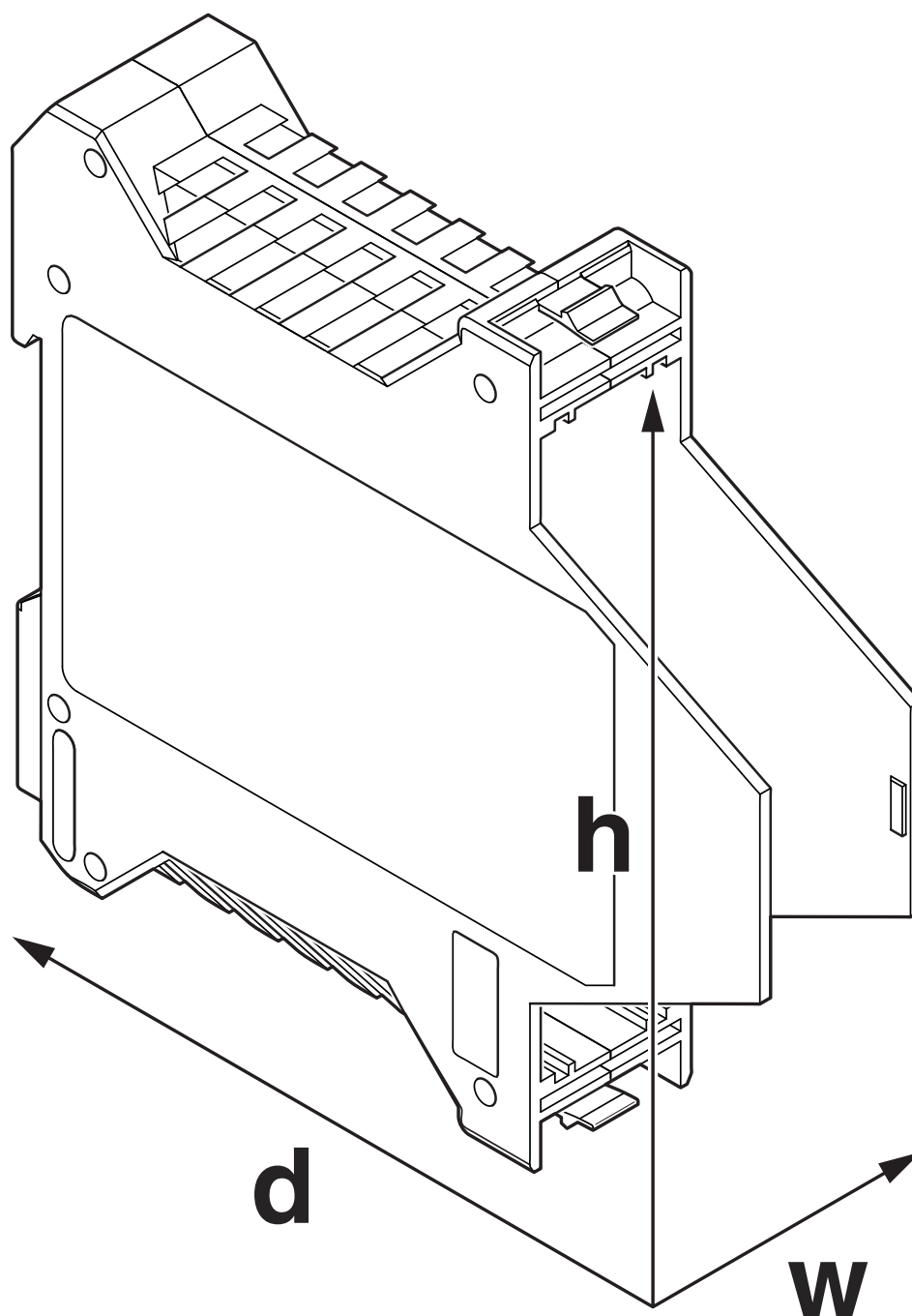
# ME 22,5 F-UTG/FE GN - Mounting base housing

2854157

<https://www.phoenixcontact.com/us/products/2854157>

## Drawings

Dimensional drawing



Schematic figure for illustrating the item dimensions. The figure is not of the desired product. For further details, refer to the product drawings in the "Downloads" tab.

# ME 22,5 F-UTG/FE GN - Mounting base housing



2854157

<https://www.phoenixcontact.com/us/products/2854157>

## Approvals

To download certificates, visit the product detail page: <https://www.phoenixcontact.com/us/products/2854157>



**UL Recognized**

Approval ID: FILE E 240868

# ME 22,5 F-UTG/FE GN - Mounting base housing



2854157

<https://www.phoenixcontact.com/us/products/2854157>

## Classifications

### ECLASS

ECLASS-11.0	27182702
ECLASS-13.0	27190601

### ETIM

ETIM 9.0	EC001031
----------	----------

### UNSPSC

UNSPSC 21.0	31261500
-------------	----------

# ME 22,5 F-UTG/FE GN - Mounting base housing



2854157

<https://www.phoenixcontact.com/us/products/2854157>

## Environmental product compliance

### EU RoHS

Fulfills EU RoHS substance requirements	Yes, No exemptions
---	--------------------

### China RoHS

Environment friendly use period (EFUP)	EFUP-E
	No hazardous substances above the limits

### EU REACH SVHC

REACH candidate substance (CAS No.)	No substance above 0.1 wt%
-------------------------------------	----------------------------



# ME 22,5 F-UTG/FE GN - Mounting base housing

2854157

<https://www.phoenixcontact.com/us/products/2854157>

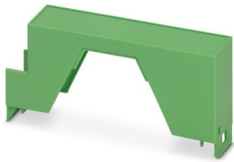
## Mandatory accessories

### ME 22,5 OT-1MSTBO GN - Upper housing part

2709558

<https://www.phoenixcontact.com/us/products/2709558>

DIN rail housing, Upper housing part for connectors with header, width: 22.6 mm, height: 99 mm, depth: 45.85 mm, color: green (similar RAL 6021)



---

### ME 22,5 OT-MSTBO GN - Upper housing part

2907169

<https://www.phoenixcontact.com/us/products/2907169>

DIN rail housing, Upper housing part for connectors with header, width: 22.6 mm, height: 99 mm, depth: 45.85 mm, color: green (similar RAL 6021)



# ME 22,5 F-UTG/FE GN - Mounting base housing

2854157

<https://www.phoenixcontact.com/us/products/2854157>

## ME 22,5 OT-MKDSO GN - Upper housing part

2907172

<https://www.phoenixcontact.com/us/products/2907172>



DIN rail housing, Upper housing part for PCB terminal blocks with screw connection, width: 22.6 mm, height: 99 mm, depth: 45.85 mm, color: green (similar RAL 6021)

---

## ME 22,5 OTU-MKDSO GN - Upper housing part

2278966

<https://www.phoenixcontact.com/us/products/2278966>



DIN rail housing, Upper housing part for PCB terminal blocks with screw connection, width: 22.6 mm, height: 99 mm, depth: 45.85 mm, color: green (similar RAL 6021)

## ME 22,5 F-UTG/FE GN - Mounting base housing

2854157

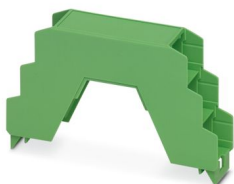
<https://www.phoenixcontact.com/us/products/2854157>



### ME 22,5 OT-3MSTBO GN - Upper housing part

2735962

<https://www.phoenixcontact.com/us/products/2735962>



DIN rail housing, Upper housing part for connectors with header, width: 22.6 mm, height: 102 mm, depth: 60.15 mm, color: green (similar RAL 6021)

---

### ME 22,5 OT-MKDSO SET - Upper housing part

2907473

<https://www.phoenixcontact.com/us/products/2907473>



DIN rail housing, Set comprised of upper housing part and 4 PCB terminal blocks (4-pos.) with screw connection, width: 22.6 mm, height: 99 mm, depth: 45.85 mm, color: green (similar RAL 6021)

# ME 22,5 F-UTG/FE GN - Mounting base housing

2854157

<https://www.phoenixcontact.com/us/products/2854157>

## ME 22,5 OT-3MSTBO SET - Upper housing part

2707767

<https://www.phoenixcontact.com/us/products/2707767>

DIN rail housing, Set comprised of upper housing part, 6 PCB headers (4-pos.), and 6 PCB terminal blocks with screw connection (4-pos.), width: 22.6 mm, height: 102 mm, depth: 60.15 mm, color: green (similar RAL 6021)



---

## ME 22,5 OT-1MSTBO SET - Upper housing part

2707741

<https://www.phoenixcontact.com/us/products/2707741>

DIN rail housing, Set comprised of upper housing part, 1 PCB header (4-pos.), and 1 PCB terminal block with screw connection (4-pos.), width: 22.6 mm, height: 99 mm, depth: 45.85 mm, color: green (similar RAL 6021)



# ME 22,5 F-UTG/FE GN - Mounting base housing

2854157

<https://www.phoenixcontact.com/us/products/2854157>

## ME 22,5 OT-MSTBO SET - Upper housing part

2907444

<https://www.phoenixcontact.com/us/products/2907444>

DIN rail housing, Set comprised of upper housing part, 4 PCB headers (4-pos.), and 4 PCB terminal blocks with screw connection (4-pos.), width: 22.6 mm, height: 99 mm, depth: 45.85 mm, color: green (similar RAL 6021)



---

## ME 22,5 OTP-MSTBO PS GN - Upper housing part

2200424

<https://www.phoenixcontact.com/us/products/2200424>

DIN rail housing, Upper housing part for connectors with header, width: 22.6 mm, height: 99 mm, depth: 45.85 mm, color: green (similar RAL 6021)



---

## Accessories

# ME 22,5 F-UTG/FE GN - Mounting base housing



2854157

<https://www.phoenixcontact.com/us/products/2854157>

## ME LPZS - PCB stop

2906911

<https://www.phoenixcontact.com/us/products/2906911>



DIN rail housing, after approx. 4 cm, the ME LPZS PCB pull-out stop prevents the PCB from being removed completely and locks the PCB in place

---

## ME-SAS - Shield connection clamp

2853899

<https://www.phoenixcontact.com/us/products/2853899>



Shield connection clamp for terminal points starting from 2.5 mm<sup>2</sup>

# ME 22,5 F-UTG/FE GN - Mounting base housing



2854157

<https://www.phoenixcontact.com/us/products/2854157>

## EML (44X53)R-ME - Label for ME ... F-UT ... housing

0828156

<https://www.phoenixcontact.com/us/products/0828156>



Label for ME ... F-UT ... housing, Roll, white, unlabeled, can be labeled with: THERMOMARK ROLLMASTER 300/600, THERMOMARK X1.2, THERMOMARK ROLL X1, THERMOMARK ROLL 2.0, THERMOMARK ROLL, mounting type: adhesive, lettering field size: 44 x 53 mm, Number of individual labels: 200

---

Phoenix Contact 2024 © - all rights reserved

<https://www.phoenixcontact.com>

Phoenix Contact USA  
586 Fulling Mill Road  
Middletown, PA 17057, United States  
(+717) 944-1300  
[info@phoenixcon.com](mailto:info@phoenixcon.com)