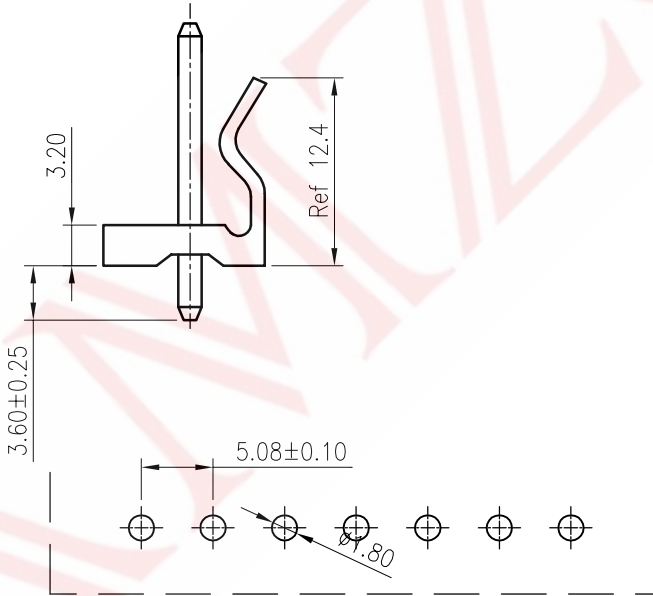
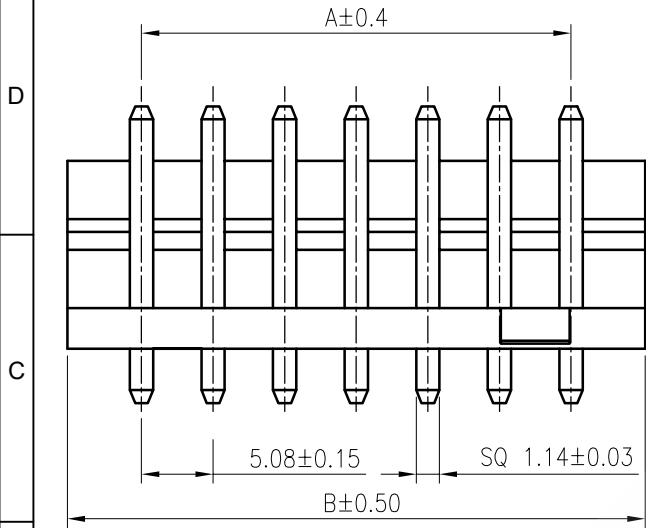
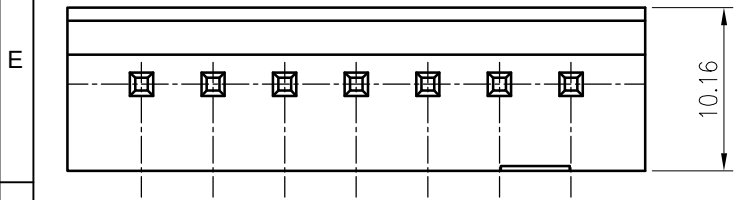


SAMZO REAC/ROHS

REV	ECN NO	DESCRIPTION	DESIGN	APPROVAL	DATE
A1	NEW	Replace frame			2013.06.21

- SPECIFICATIONS**
1. Current rating: 7A AC, DC
 2. Voltage rating: 250V AC, DC
 3. Temperature range: -40°C ~ +105°C
 4. Insulation resistance: 1000MΩ/ min.
 5. Withstanding voltage: 1500V AC/ minute.
 6. Contact resistance: 20mΩ/ max.



Recommended P.C.B. Layout
Total tolerance: ±0.05mm

Circuits	Dimensions		Circuits	Dimensions	
	A	B		A	B
2	5.08	10.16	9	40.64	45.72
3	10.16	15.24	10	45.72	50.80
4	15.24	20.32	11	50.80	55.88
5	20.32	25.40	12	55.88	60.96
6	25.40	30.48	13	60.96	66.04
7	30.48	35.56	14	66.04	71.12
8	35.56	40.64			

A. SERISE: 5W-CH5081
 B. SPACING: R-5.08mm
 C. MOUNTING: A-LD
 D. STANDARD: A-WAFER
 E: PIN: 02-2P (02-14P)
 F: CODE: 0-REGULAR

5WRAA0**
 (A) (B) (C) (D) (E) (F)

ITEM	DESCRIPTION	MATERIAL	QTY	FINISH/COLOR				
1	针脚	黄铜	N	镀锡				
2	主体	PA66	1	XXX			GENERAL TOLERANCE	
					≥0~2<	±0.15	SCALE 1:1 UNIT mm	
					≥2~5<	±0.25	SAMZO COMPONENTS Electronic switch and connector manufacturer	
					≥0~2<	±0.15		
					≥5	±0.35		

FIRST VIEW

The copyright belongs to samzo parts [China] Co., Ltd. please use the material after samzo parts agree to authorize. The final right of interpretation belongs to samzo parts. WWW.KKK-JP.COM

TITLE: CH5081-180°
DWG NO: 5WRA-P5081
PART NO: 5WRA5080
MODEL NO: 5WRAA-**-0
NAME: WAFER CONNECTOR