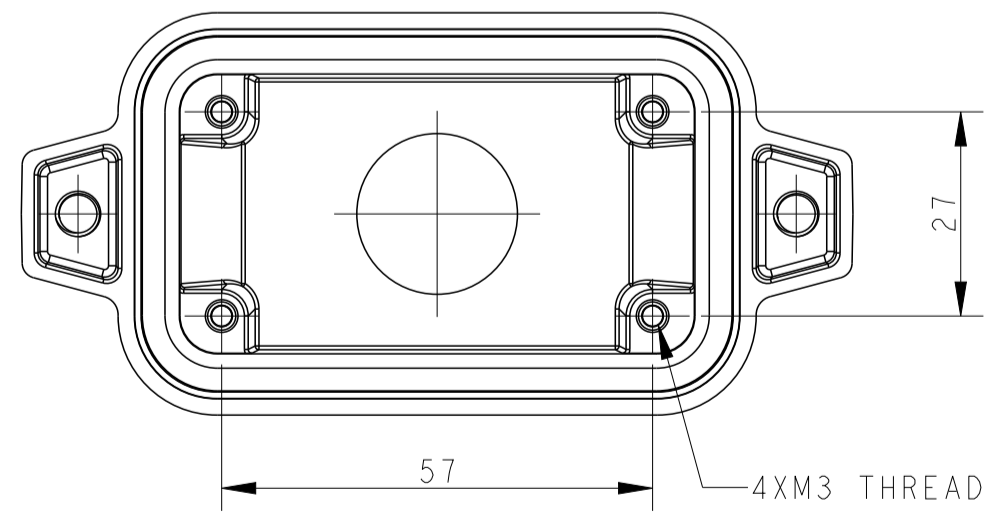
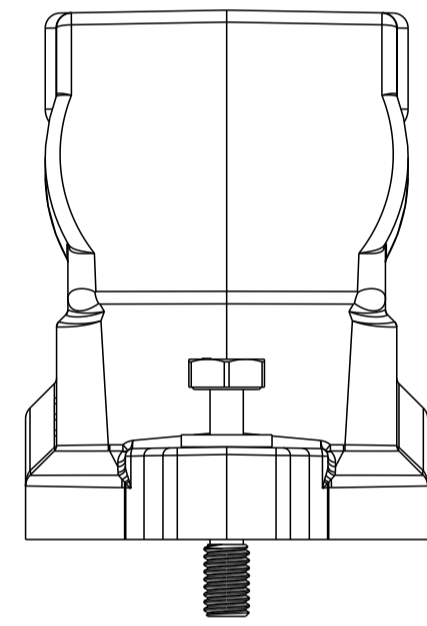
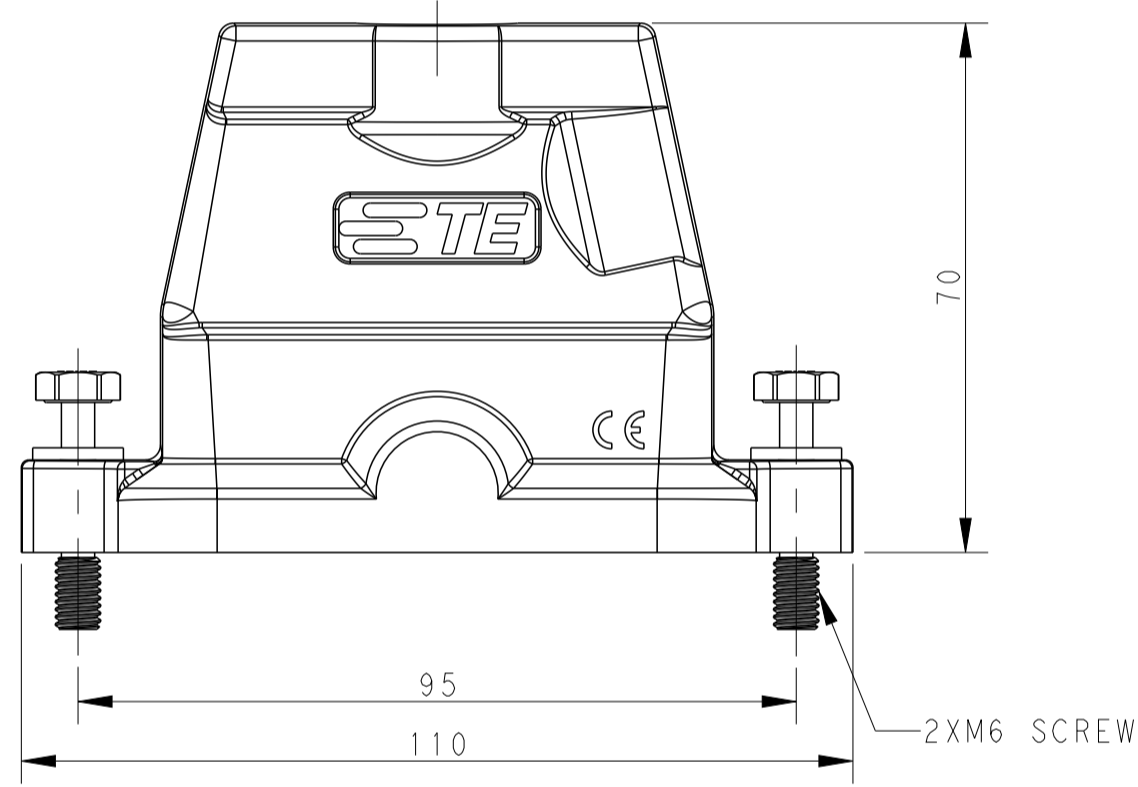
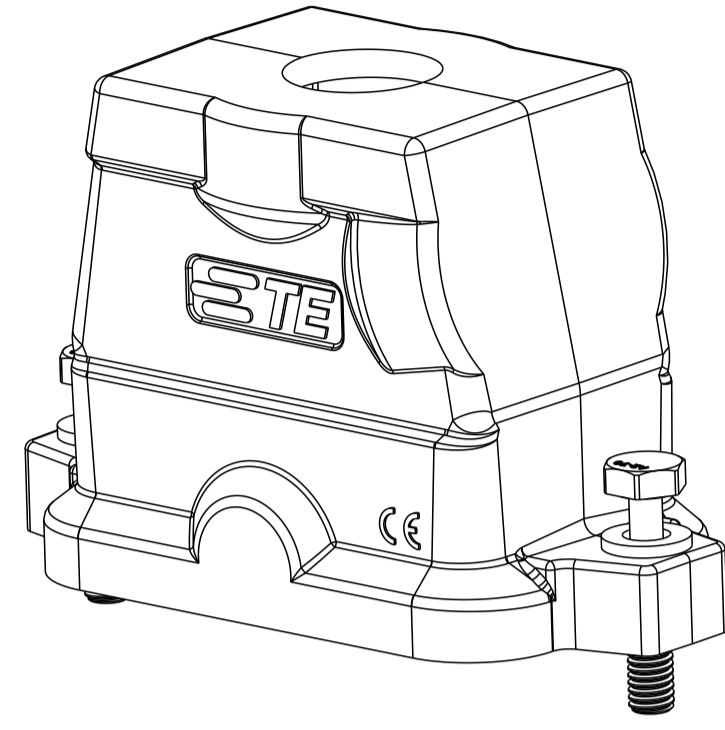
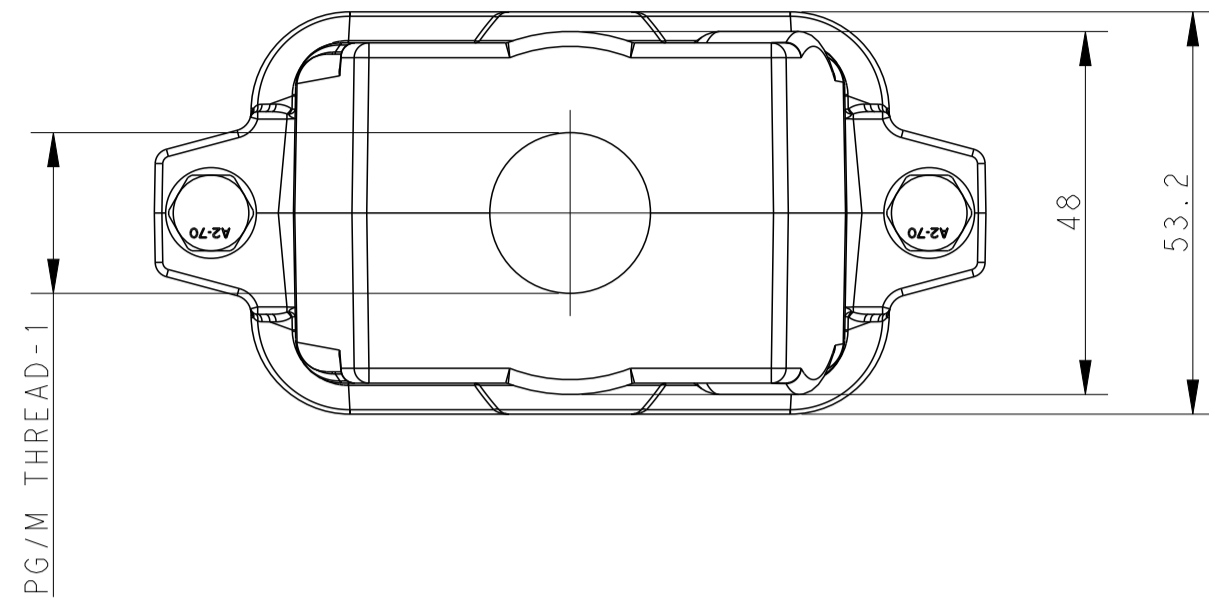


TYPE 1
 类型 1

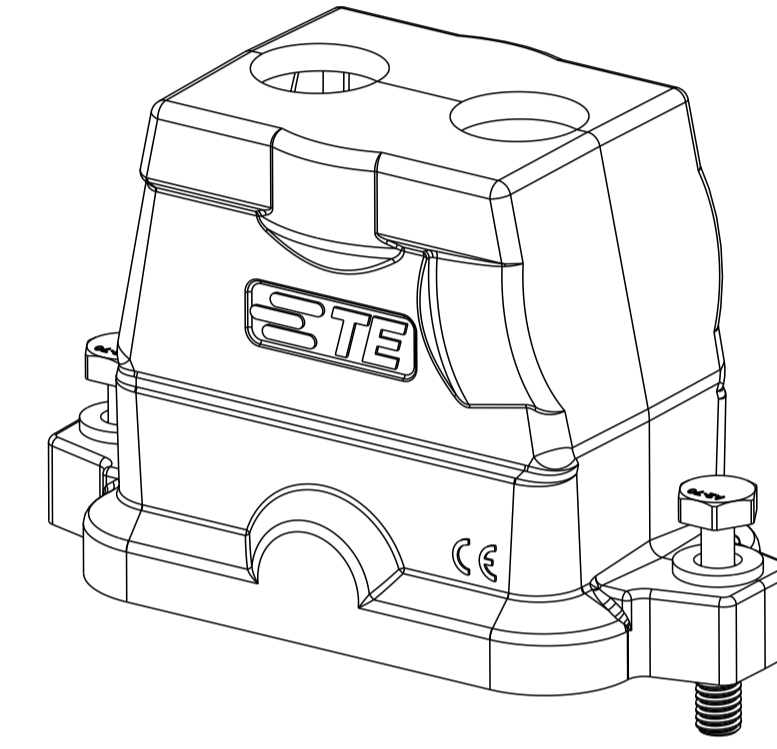
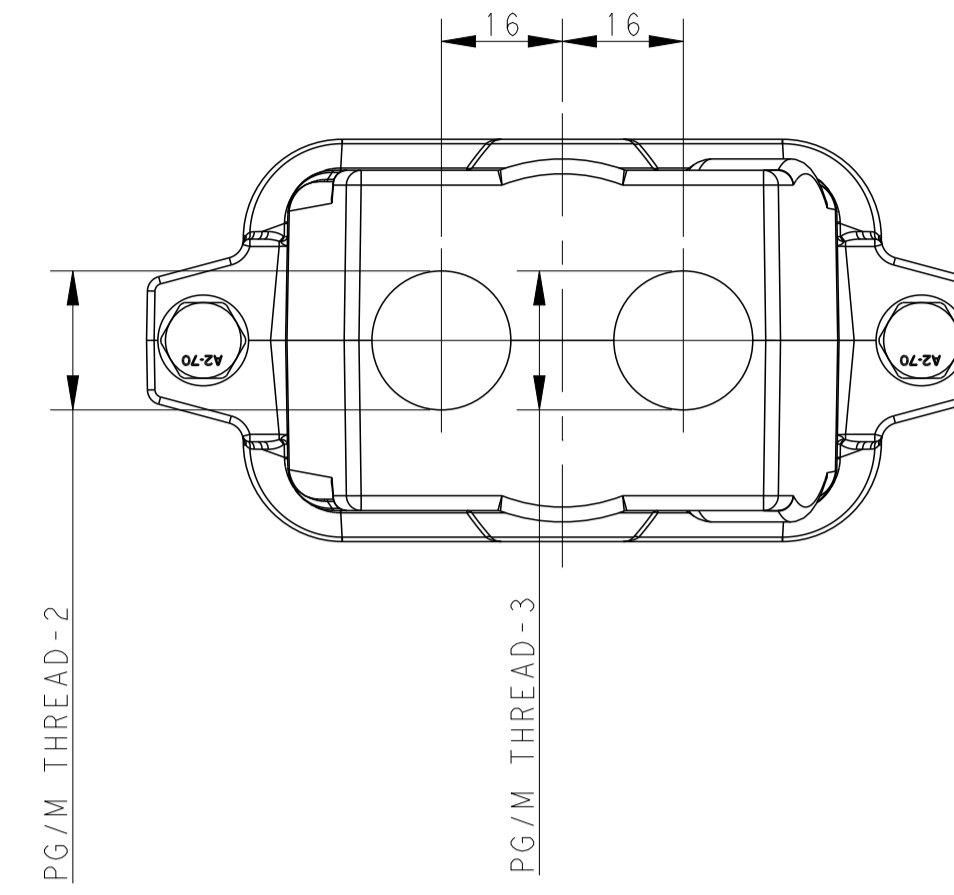
Single PG/M thread
 单个螺纹孔



REVISIONS				
P	LTN	DESCRIPTION	DATE	APVD
A		INITIAL RELEASE	10JUN2015	GY CW
A1		ECR-18-009564	22SEP2018	CD CW
B		ECR-20-012069	08MAY2021	BS CW
B1		ECR-22-138033	09MAY2022	AC CW

TYPE 2
 类型 2

Two PG/M threads
 两个螺纹孔



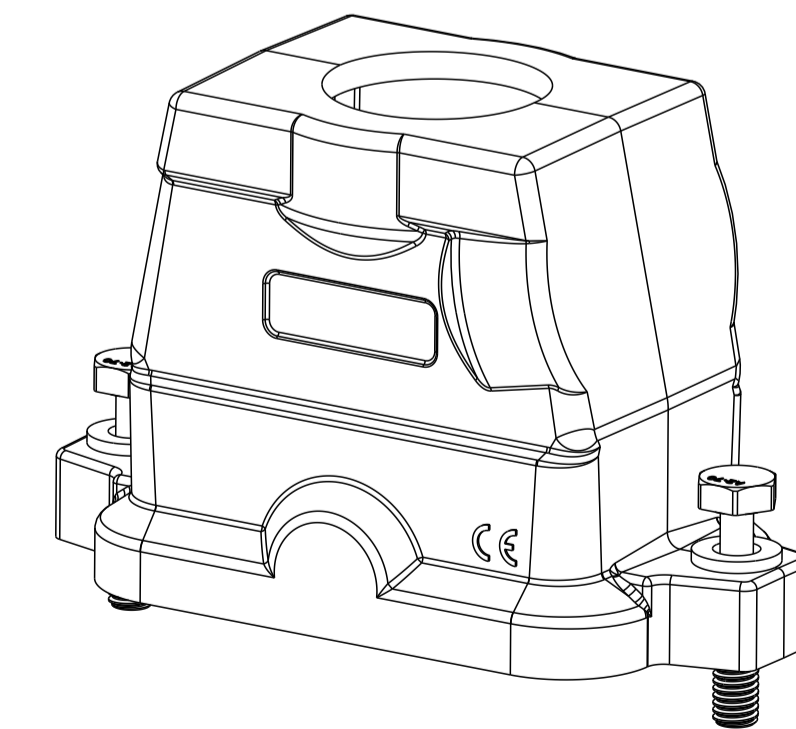
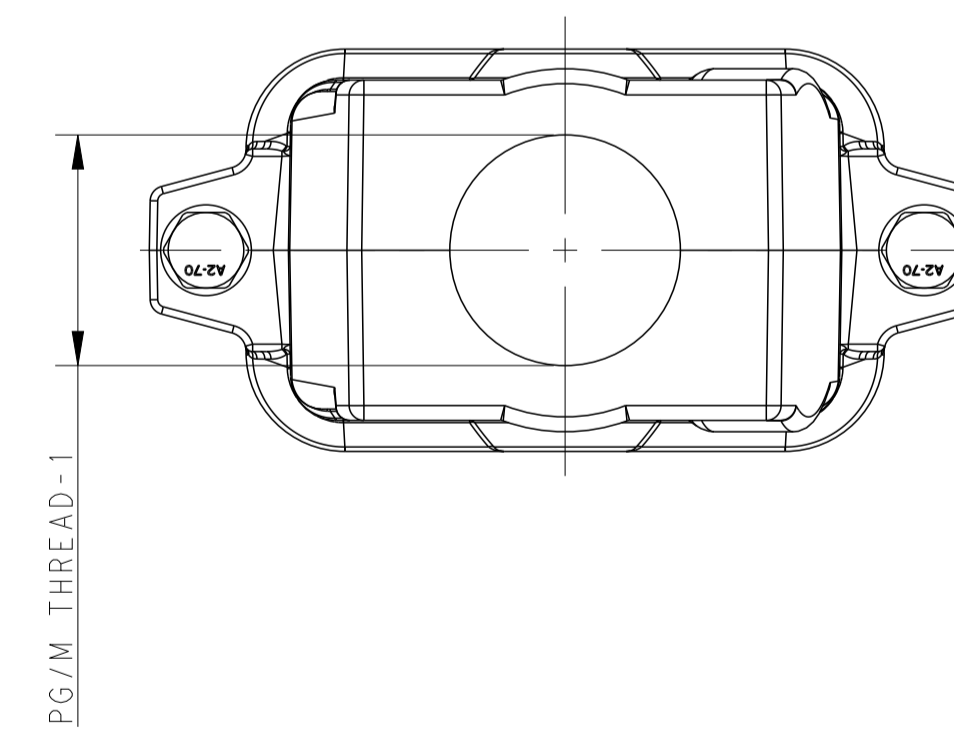
NOTES:
 1. TECHNICAL CHARACTERISTICS:
 HOOD MATERIAL: DIE CAST ALUMINIUM ALLOY
 SURFACE TREATMENT: SEE TABLE
 DEGREE OF PROTECTION: IP68 (MATED)

注释:
 1. 技术参数:
 壳体材料: 铝合金
 表面处理: 见表格
 防护等级: IP68 (配合)

All dimension is same as TYPE 1, except those defined in this TYPE
 除在本类型中特殊定义的尺寸外, 其余尺寸与TYPE 1相同

TYPE 3
 类型 3

Single PG/M thread, no logo
 单个螺纹孔, 无logo




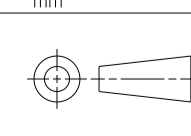
All dimension is same as TYPE 1, just no logo.
 尺寸与TYPE 1相同, 仅无logo

THIS DRAWING IS A CONTROLLED DOCUMENT.		OWN: Gino_Yao 10JUN2015	TE Connectivity	
DIMENSIONS:		CHK: Chris_Wong 10JUN2015		
mm	TOLERANCES UNLESS OTHERWISE SPECIFIED:	APVD: Xiang_Yu 10JUN2015	NAME: H10BPR-TGHC-PG/M	
0 PLC ±	1 PLC ±	PRODUCT SPEC	SIZE: A1	
2 PLC ±	3 PLC ±	108-137014	CAGE CODE: -	
4 PLC ±	ANGLES ±	APPLICATION SPEC	DRAWING NO: C-T192210XXXX00	
MATERIAL: -	FINISH: -	114-137014	RESTRICTED TO: -	
CUSTOMER DRAWING		WEIGHT: -	SCALE: 1:1	
		SHEET 1 OF 2		REV: B1

REVISIONS				
P	LTN	DESCRIPTION	DATE	OWN
-	-	SEE SHEET 1	-	-

NOTE:
 SEE SHEET 1
 备注:
 见 SHEET 1

PART NUMBER 料号	SURFACE TREATMENT 表面处理	PART DESCRIPTION 描述	PG/M THREAD-3 螺孔-3	PG/M THREAD-2 螺孔-2	PG/M THREAD-1 螺孔-1	TYPE 类型
T1922102125-001	POWDER COATED, DEEP GREY 粉末喷涂, 深灰色	H10BPR-TGHC-M25 H10BPR HOOD, CENTER LOCKING, TOP ENTRY M25, POWDER COATED, DEEP GREY, NO LOGO H10BPR上壳, 中部锁定, 顶出M25, 深灰色粉末喷涂, 无LOGO	-	-	M25	TYPE 3 类型3
T1922102132-001	POWDER COATED, DEEP GREY 粉末喷涂, 深灰色	H10BPR-TGHC-M32 H10BPR HOOD, CENTER LOCKING, TOP ENTRY M32, POWDER COATED, DEEP GREY, NO LOGO H10BPR上壳, 中部锁定, 顶出M32, 深灰色粉末喷涂, 无LOGO	-	-	M32	
T1922100220-000	POWDER COATED, BLACK 粉末喷涂, 黑色	H10BPR-TGHC-2M20 H10BPR HOOD, CENTER LOCKING, TOP ENTRY 2M20, POWDER COATED, BLACK H10BPR上壳, 中部锁定, 顶出2M20, 黑色粉末喷涂	M20	M20	-	TYPE 2 类型2
T1922102132-000	POWDER COATED, GREY 粉末喷涂, 灰色	H10BPR-TGHC-M32 H10BPR HOOD, CENTER LOCKING, TOP ENTRY M32, POWDER COATED, GREY H10BPR上壳, 中部锁定, 顶出M32, 灰色粉末喷涂	-	-	M32	
T1922102129-000	POWDER COATED, GREY 粉末喷涂, 灰色	H10BPR-TGHC-PG29 H10BPR HOOD, CENTER LOCKING, TOP ENTRY PG29, POWDER COATED, GREY H10BPR上壳, 中部锁定, 顶出PG29, 灰色粉末喷涂	-	-	PG29	
T1922102125-000	POWDER COATED, GREY 粉末喷涂, 灰色	H10BPR-TGHC-M25 H10BPR HOOD, CENTER LOCKING, TOP ENTRY M25, POWDER COATED, GREY H10BPR上壳, 中部锁定, 顶出M25, 灰色粉末喷涂	-	-	M25	
T1922102121-000	POWDER COATED, GREY 粉末喷涂, 灰色	H10BPR-TGHC-PG21 H10BPR HOOD, CENTER LOCKING, TOP ENTRY PG21, POWDER COATED, GREY H10BPR上壳, 中部锁定, 顶出PG21, 灰色粉末喷涂	-	-	PG21	
T1922102120-000	POWDER COATED, GREY 粉末喷涂, 灰色	H10BPR-TGHC-M20 H10BPR HOOD, CENTER LOCKING, TOP ENTRY M20, POWDER COATED, GREY H10BPR上壳, 中部锁定, 顶出M20, 灰色粉末喷涂	-	-	M20	
T1922102116-000	POWDER COATED, GREY 粉末喷涂, 灰色	H10BPR-TGHC-PG16 H10BPR HOOD, CENTER LOCKING, TOP ENTRY PG16, POWDER COATED, GREY H10BPR上壳, 中部锁定, 顶出PG16, 灰色粉末喷涂	-	-	PG16	
T1922101132-000	POWDER COATED, SILVER WHITE 粉末喷涂, 银白色	H10BPR-TGHC-M32 H10BPR HOOD, CENTER LOCKING, TOP ENTRY M32, POWDER COATED, SILVER WHITE H10BPR上壳, 中部锁定, 顶出M32, 银白色粉末喷涂	-	-	M32	
T1922101129-000	POWDER COATED, SILVER WHITE 粉末喷涂, 银白色	H10BPR-TGHC-PG29 H10BPR HOOD, CENTER LOCKING, TOP ENTRY PG29, POWDER COATED, SILVER WHITE H10BPR上壳, 中部锁定, 顶出PG29, 银白色粉末喷涂	-	-	PG29	
T1922101125-000	POWDER COATED, SILVER WHITE 粉末喷涂, 银白色	H10BPR-TGHC-M25 H10BPR HOOD, CENTER LOCKING, TOP ENTRY M25, POWDER COATED, SILVER WHITE H10BPR上壳, 中部锁定, 顶出M25, 银白色粉末喷涂	-	-	M25	TYPE 1 类型1
T1922101121-000	POWDER COATED, SILVER WHITE 粉末喷涂, 银白色	H10BPR-TGHC-PG21 H10BPR HOOD, CENTER LOCKING, TOP ENTRY PG21, POWDER COATED, SILVER WHITE H10BPR上壳, 中部锁定, 顶出PG21, 银白色粉末喷涂	-	-	PG21	
T1922101120-000	POWDER COATED, SILVER WHITE 粉末喷涂, 银白色	H10BPR-TGHC-M20 H10BPR HOOD, CENTER LOCKING, TOP ENTRY M20, POWDER COATED, SILVER WHITE H10BPR上壳, 中部锁定, 顶出M20, 银白色粉末喷涂	-	-	M20	
T1922101116-000	POWDER COATED, SILVER WHITE 粉末喷涂, 银白色	H10BPR-TGHC-PG16 H10BPR HOOD, CENTER LOCKING, TOP ENTRY PG16, POWDER COATED, SILVER WHITE H10BPR上壳, 中部锁定, 顶出PG16, 银白色粉末喷涂	-	-	PG16	
T1922100132-000	POWDER COATED, BLACK 粉末喷涂, 黑色	H10BPR-TGHC-M32 H10BPR HOOD, CENTER LOCKING, TOP ENTRY M32, POWDER COATED, BLACK H10BPR上壳, 中部锁定, 顶出M32, 黑色粉末喷涂	-	-	M32	
T1922100129-000	POWDER COATED, BLACK 粉末喷涂, 黑色	H10BPR-TGHC-PG29 H10BPR HOOD, CENTER LOCKING, TOP ENTRY PG29, POWDER COATED, BLACK H10BPR上壳, 中部锁定, 顶出PG29, 黑色粉末喷涂	-	-	PG29	
T1922100125-000	POWDER COATED, BLACK 粉末喷涂, 黑色	H10BPR-TGHC-M25 H10BPR HOOD, CENTER LOCKING, TOP ENTRY M25, POWDER COATED, BLACK H10BPR上壳, 中部锁定, 顶出M25, 黑色粉末喷涂	-	-	M25	
T1922100121-000	POWDER COATED, BLACK 粉末喷涂, 黑色	H10BPR-TGHC-PG21 H10BPR HOOD, CENTER LOCKING, TOP ENTRY PG21, POWDER COATED, BLACK H10BPR上壳, 中部锁定, 顶出PG21, 黑色粉末喷涂	-	-	PG21	
T1922100120-000	POWDER COATED, BLACK 粉末喷涂, 黑色	H10BPR-TGHC-M20 H10BPR HOOD, CENTER LOCKING, TOP ENTRY M20, POWDER COATED, BLACK H10BPR上壳, 中部锁定, 顶出M20, 黑色粉末喷涂	-	-	M20	
T1922100116-000	POWDER COATED, BLACK 粉末喷涂, 黑色	H10BPR-TGHC-PG16 H10BPR HOOD, CENTER LOCKING, TOP ENTRY PG16, POWDER COATED, BLACK H10BPR上壳, 中部锁定, 顶出PG16, 黑色粉末喷涂	-	-	PG16	

THIS DRAWING IS A CONTROLLED DOCUMENT.		OWN Gino_Yao 10JUN2015	
DIMENSIONS: mm		CHK Chris.Wong 10JUN2015	
		APVD Kuang_Yu 10JUN2015	
TOLERANCES UNLESS OTHERWISE SPECIFIED:		NAME H10BPR-TGHC-PG/M	
MATERIAL		PRODUCT SPEC 108-137014	SIZE A1
FINISH		APPLICATION SPEC 114-137014	CAGE CODE -
WEIGHT		RESTRICTED TO CUSTOMER DRAWING	DRAWING NO C=T192210XXXXX00
SCALE 1:1		SHEET 2	OF 2
REV B1			