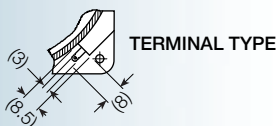
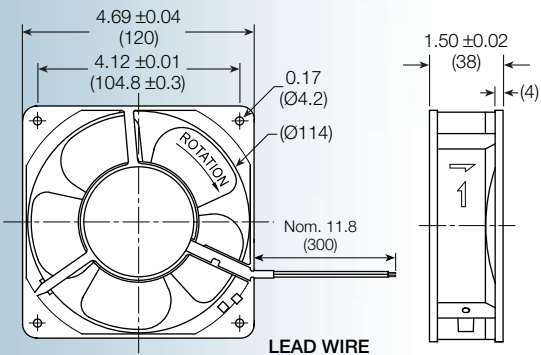


## UF12A series



**Size: (120 x 120 x 38 mm)  
4.69 x 4.69 x 1.5 inches**

**Operating voltage (VAC): 115 or 230**

**Construction:** aluminum die cast frame;  
UL94V-0 PBT impeller

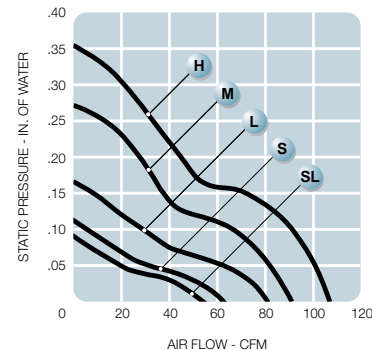
**Bearing option:** motor quality ball bearings or  
sintered bronze sleeve

**Motor:** shaded pole

**Air flow:** exhaust over struts

**Connection:** terminal or 22 AWG lead wire

**Protection:** impedance



Model No.	Rated Voltage V	Freq. HZ	Input Power W	Rated Cur. A	Locked Cur. A	Speed RPM	Air Volume		Max Static Pressure (H <sub>2</sub> O)		Sound Noise dB	Wt OZ
							M <sup>3</sup> /Min	CFM	MM	INCH		
UF12A12-__H	115	60	12	0.16	0.23	3,100	3.0	106	8.7	0.35	46	18.7
UF12A23-__H	230	60	15	0.08	0.12	3,100	3.0	106	8.7	0.35	46	18.7
UF12A12-__M	115	60	12	0.17	0.19	2,750	2.6	92	7.0	0.28	42	18.7
UF12A23-__M	230	60	15	0.08	0.09	2,750	2.6	92	7.0	0.28	42	18.7
UF12A12-__L	115	60	12	0.15	0.16	2,300	2.3	81	4.0	0.16	38	18.7
UF12A23-__L	230	60	15	0.07	0.08	2,300	2.3	81	4.0	0.16	38	18.7
UF12A12-__S	115	60	8	0.08	0.09	2,100	1.8	64	2.8	0.11	37	18.7
UF12A23-__S	230	60	8	0.04	0.05	2,100	1.8	64	2.8	0.11	37	18.7
UF12A12-__SL	115	60	6	0.06	0.07	1,800	1.6	57	2.3	0.09	36	18.7
UF12A23-__SL	230	60	6	0.03	0.04	1,800	1.6	57	2.3	0.09	36	18.7