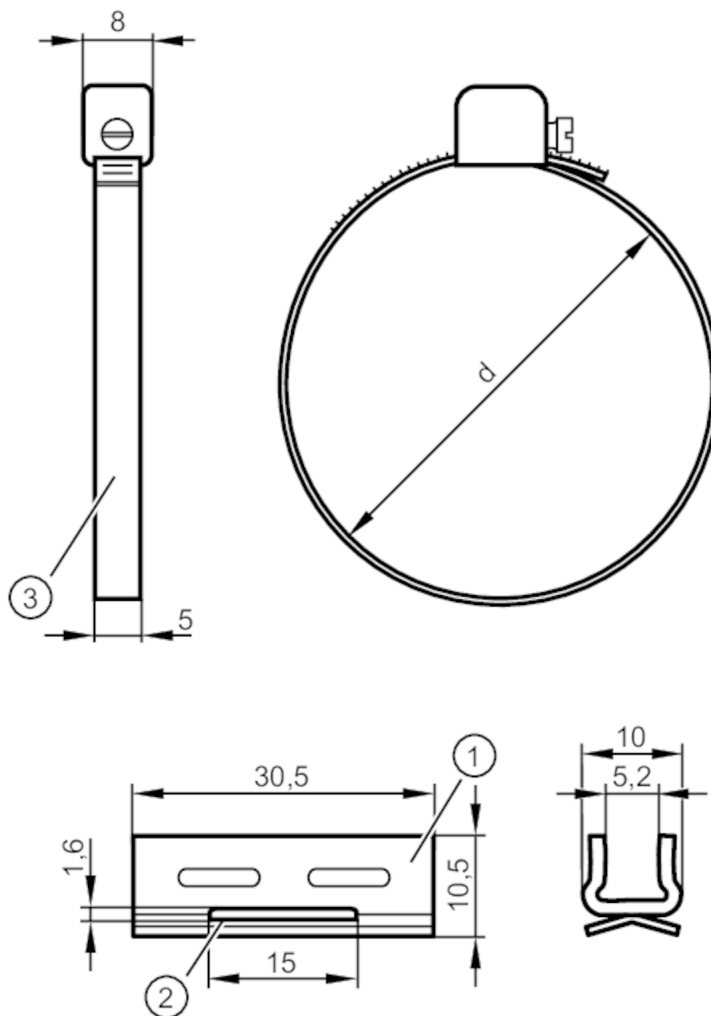


E11981



Fixing strap for clean-line cylinders

FIXING STRAP CLEAN-LINE CYL



- 1 Adapter
- 2 slot for fixing strap
- 3 Fixing strap for clean-line cylinders

Application	
Design	for types MKT
Mechanical data	
Weight [g]	18.7
Dimensions [mm]	Ø 80
Materials	Adapter: stainless steel (304/1.4301); fixing strap: stainless steel (303/1.4305)
Piston diameter [mm]	80
Clamping range [mm]	78...89
Accessories	
Items supplied	Adapter: 1x, for types, MKT Fixing strap for clean-line cylinders: 1x
Remarks	
Pack quantity	1 pcs.