

POLARITY SYMBOL  
(APPROX. AS SHOWN)

$\pm .005$  [ $\pm 0.13$ ]  
.140 [3.51]

(4) PLS

$\pm .015$  [ $\pm 0.38$ ]  
.300 [7.60]  
(4) PLS

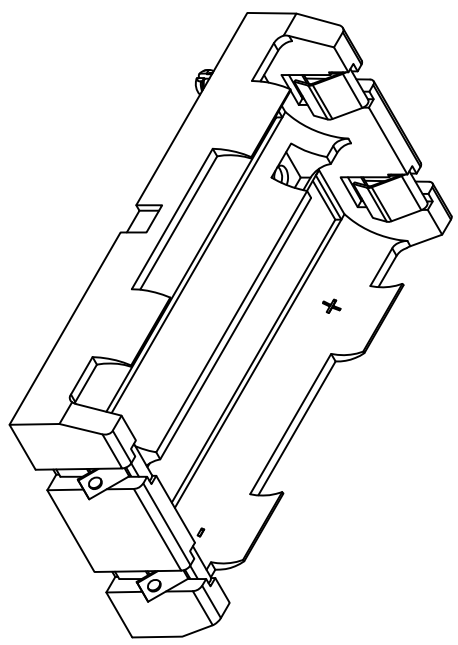
$\pm .005$  [ $\pm 0.13$ ]  
.753 [19.13]

(4) PLS

$\pm .005$  [ $\pm 0.13$ ]  
0.062 [1.57]  
(2) PLS

1.566 [39.80]  
.135 [3.43]  
(2) PLS

0.585 [14.85]



DATE	DESCRIPTION	REV.
1.19.15	CHANGE AS PER ECN 14-011	A

**KEYSTONE ELECTRONICS CORP.**  
www.keystec.com • ASTORIA, N.Y. 11105-2017 • Tel (718) 956-8900

PART NAME  
SOLDER TAIL DUAL BATTERY HOLDER, 18650

MATERIAL  
AS NOTED

FINISH	AS NOTED	DRN BY	NT	DATE	12.08.14
TOLERANCES	INCH [MM]	CODE	DWG NO.	App'D	SCALE
DECIMAL	$\pm .010$ [ $\pm 0.25$ ]	C		RH	1X
ANGULAR	$\pm 1^\circ$				

UNLESS OTHERWISE SPECIFIED

THIS DOCUMENT IS THE PROPERTY OF  
KEYSTONE ELECTRONICS CORP. AND  
SHALL NOT BE REPRODUCED, DISTRIBUTED  
OR USED AS A BASIS FOR MANUFACTURE  
WITHOUT PRIOR WRITTEN PERMISSION  
FROM KEYSTONE ELECTRONICS CORP.

1047

- NOTE:
1. BASE:  
MATL: HEAT RESISTANCE NYLON (BLACK COLOR)  
STANLYL 46 OR EQUIVALENT
  2. CONTACT:  
MATL: .012 THK STAINLESS STEEL  
FINISH: TIN NICKEL PLATE
  3. CAN BE USED WITH BATTERIES WITH  
CIRCUIT PROTECTION: 67mm MAX. LENGTH