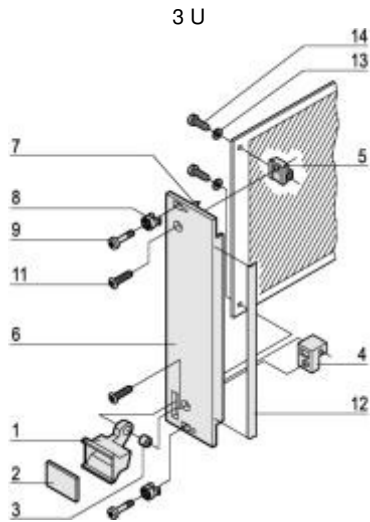


**Plug-in units type 2 with extraction handle – front panel shielded**



**Article number: 20848-485**

- For 6 U, the board location can be moved 1 HP to the right by swapping the upper and lower printed board brackets. This creates space for SMD components on the left-hand side (solder side).

**Delivery quantity: kit**

Item	Qty	Description
1	1	Extraction handle, PPE, grey, at bottom
1a	-	Extraction handle, PPE, grey, at top
2	1	Identification plate, 1.5 mm aluminium, anodised, cut edges clean
3	1	Pivot bush, brass
4	1	Printed board bracket, diecast zinc, at bottom
4a	-	Printed board bracket, diecast zinc, at top
5	1	Printed board bracket, diecast zinc
6	1	U-front panel for extractor handle, front anodised, rear etched
7	2	Alignment pin, pressed in, stainless steel
8	2	Sleeve, PA, grey, up to 7 HP front panel width
8	4	Sleeve, PA, grey, up to 8 HP front panel width
9	2	Collar screw, cross recess/slot, nickel-plated steel, M2.5 × 12.3, up to 7 HP front panel width
9	4	Collar screw, cross recess/slot, nickel-plated steel, M2.5 × 12.3, up to 8 HP front panel width
11	1	Raised countersunk head screw, M2.5 × 8
12	1	EMC textile seal
13	2	Washer, A2.7
14	2	Pozidrive flathead screw with cross recess, nickel-plated steel, M2.5 × 10

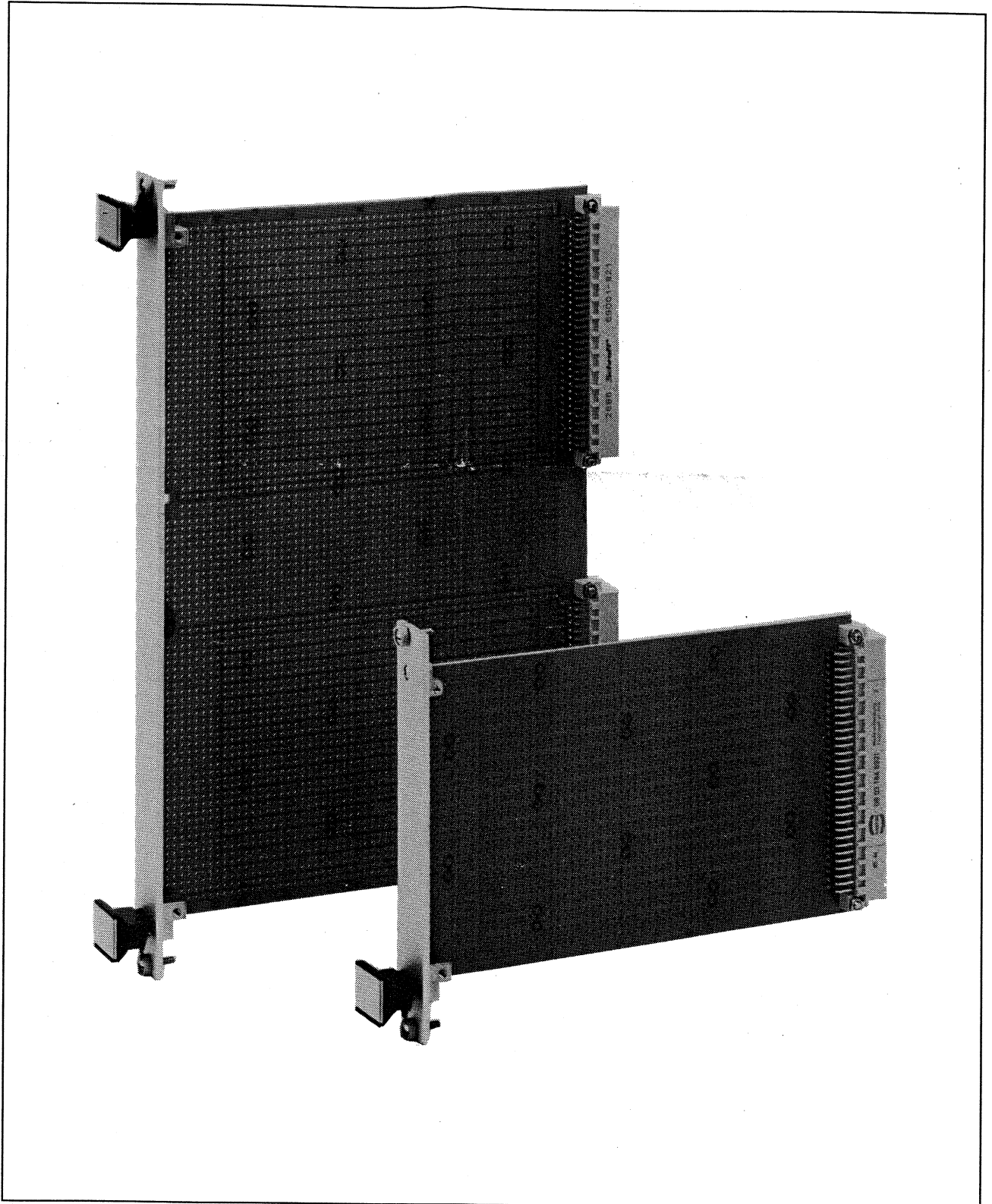
**Technical data:**

Width	Height
4 HP	3 U

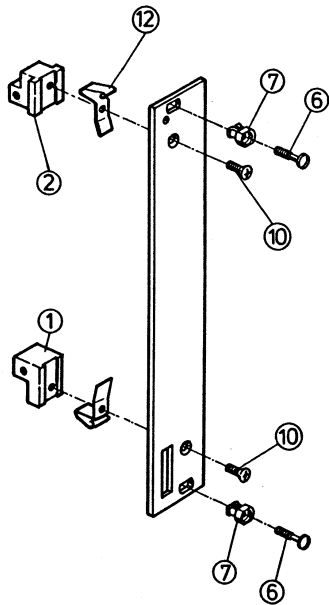
**Montageanweisung  
Aushebegriff für  
Steckbaugruppen  
Trapezform**

**Assembly Instructions  
Plug-in Units Type 2  
with Extractor Handle C**

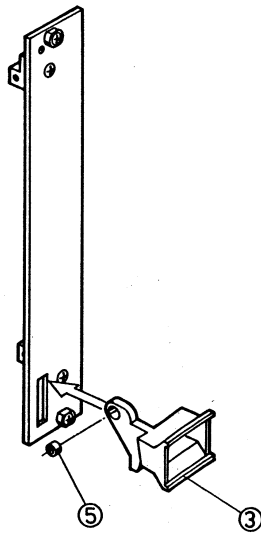
**Instructions de montage  
poignée d'extraction  
trapézoïdale pour bloc c**



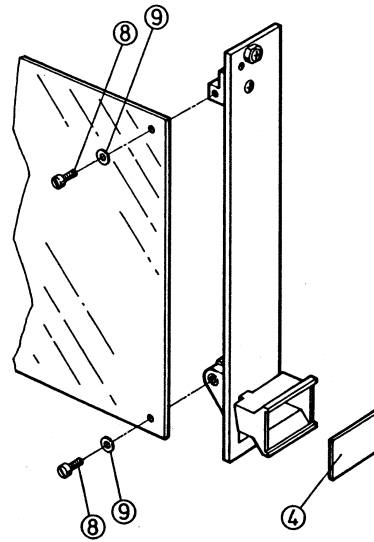
3 HE Standard



3 U standard

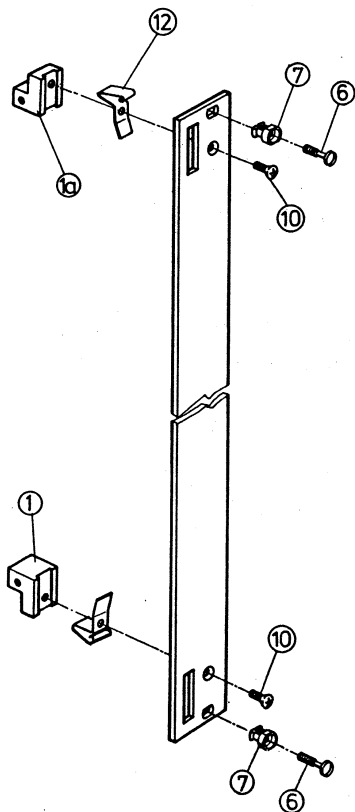


3 U standard

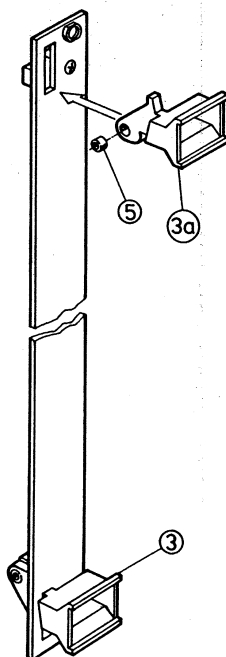


A3/354

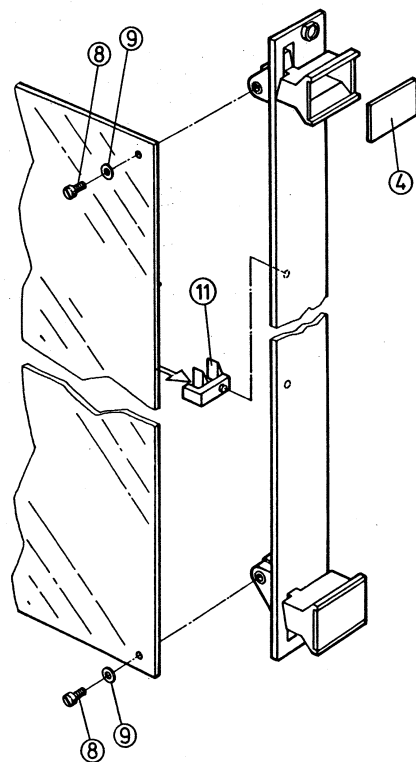
6 HE Standard



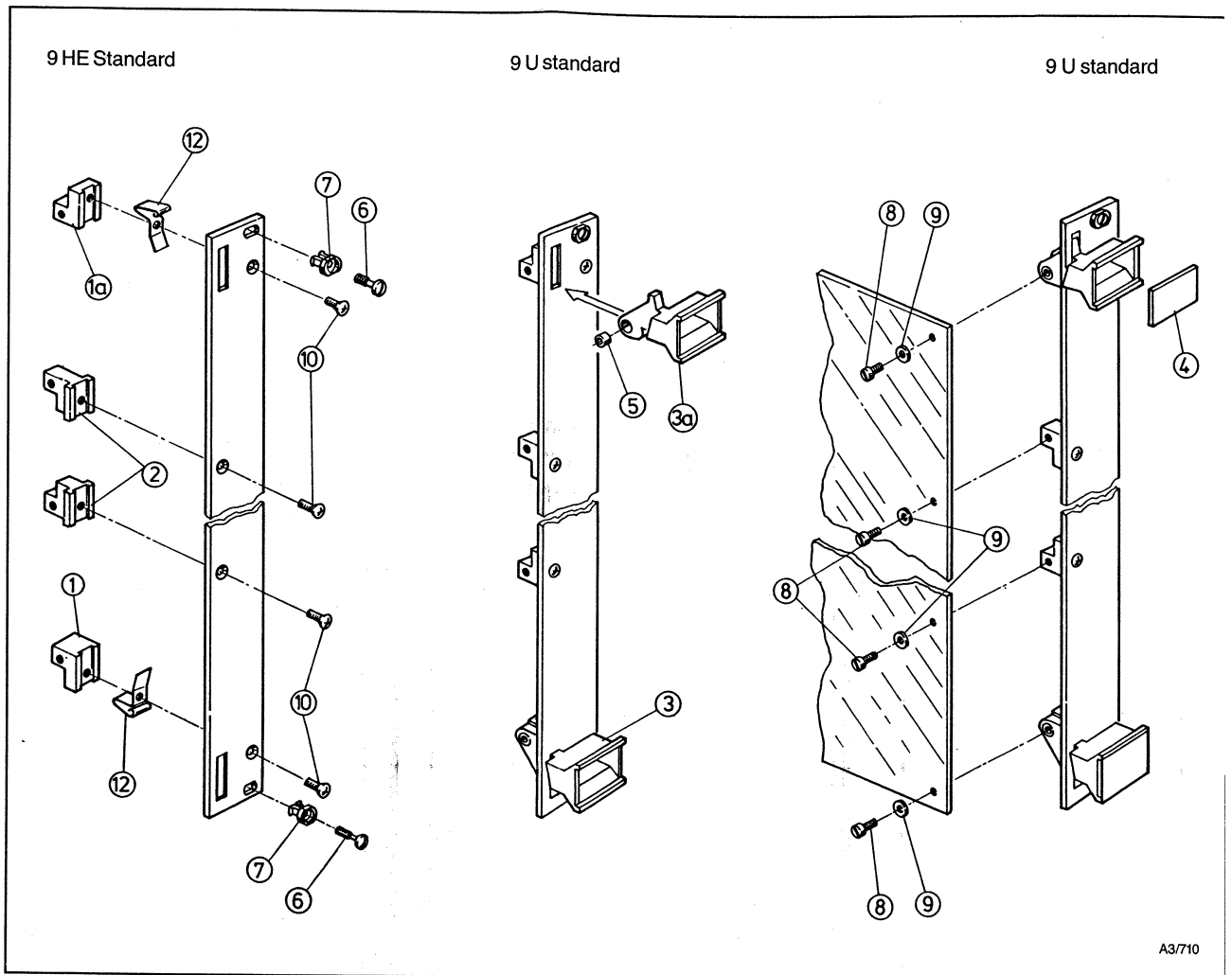
6 U standard



6 U standard

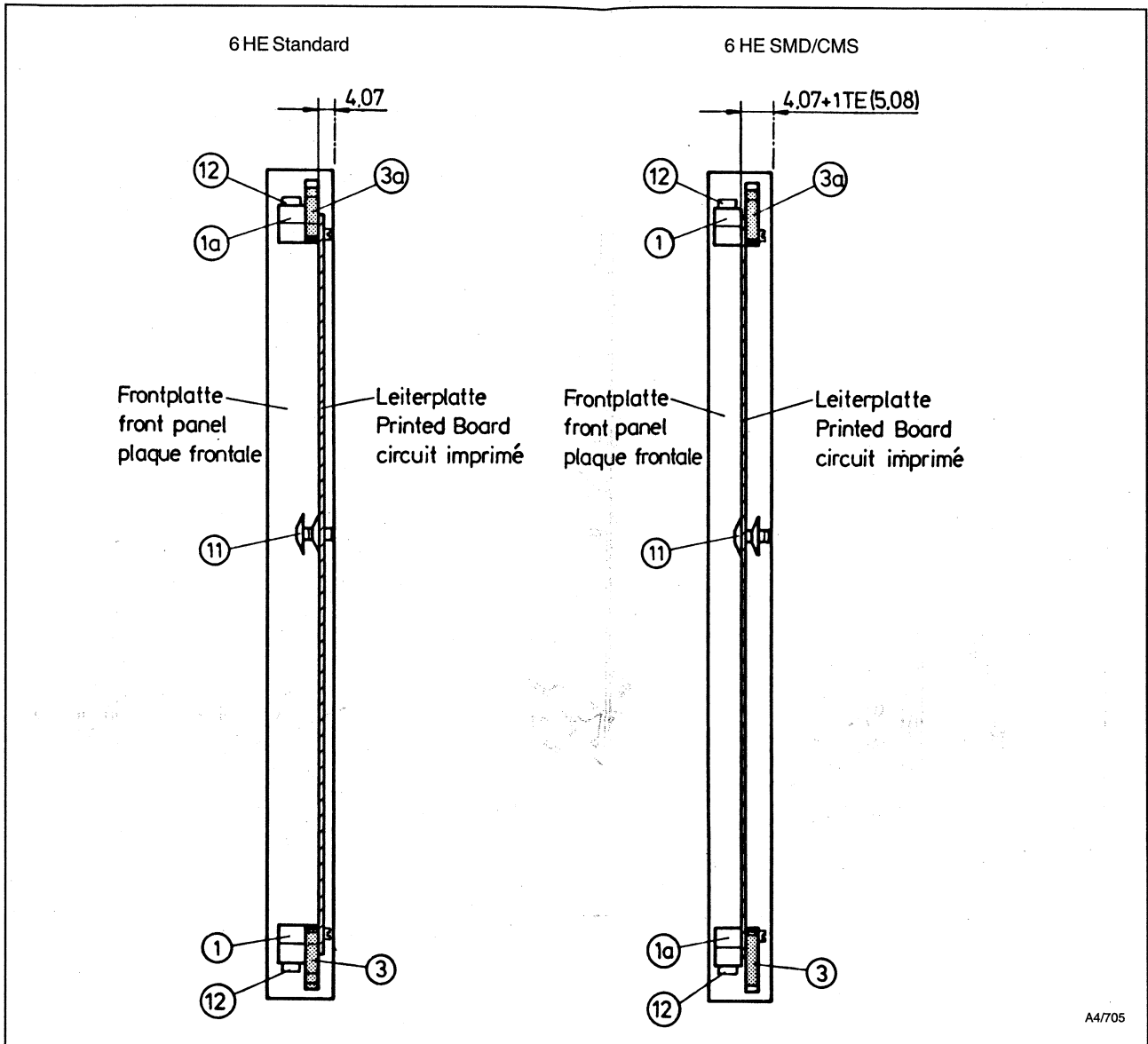


A3/355



A3/710

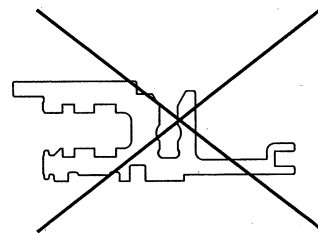
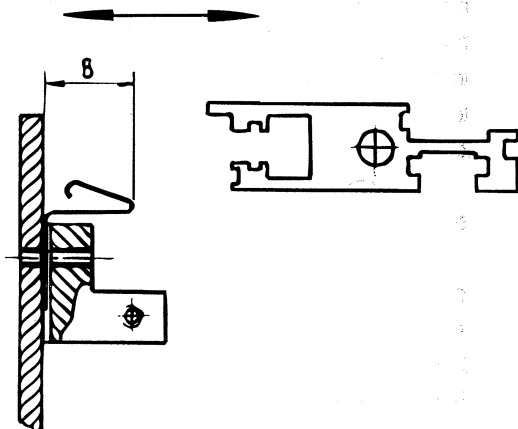
- |   |  |   |
|---|--|---|
| ① Leiterplattenhalter, unten<br>(bei SMD oben)  | ① Board holder, bottom<br>(top for SMD)  | ① équerre de carte inférieure<br>(avec CMS en haut) |
| ①a Leiterplattenhalter, oben<br>(bei SMD unten) | ①a Board holder, top<br>(bottom for SMD) | ①a équerre de carte supérieure<br>(avec CMS en bas) |
| ② Leiterplattenhalter                           | ② Board holder, top 3 U                  | ② équerre de carte                                  |
| ③ Aushebegriff unten                            | ③ Extractor handle, bottom               | ③ poignée extractrice inférieure                    |
| ③a Aushebegriff oben                            | ③a Extractor handle, top                 | ③a poignée extractrice supérieure                   |
| ④ Beschriftungsblende                           | ④ Identification plate                   | ④ plaque d'identification                           |
| ⑤ Buchse  | ⑤ Bush                                   | ⑤ douille   |
| ⑥ Halsschraube M 2,5 × 11                       | ⑥ Collar screw M 2,5 × 11                | ⑥ vis à gorge M 2,5 × 11                            |
| ⑦ Nippel  | ⑦ Sleeve                                 | ⑦ oeillet   |
| ⑧ Zylinderkopfschraube M 2,5 × 8                | ⑧ Cheese head screw M 2,5 × 8            | ⑧ vis à tête cylindrique M 2,5 × 8                  |
| ⑨ Scheibe                                       | ⑨ Washer                                 | ⑨ rondelle  |
| ⑩ Linsensenkschraube M 2,5 × 8                  | ⑩ Raised c/sk screw M 2,5 × 8            | ⑩ vis à tête fraisée M 2,5 × 8                      |
| ⑪ Leiterplattenhalter mitte                     | ⑪ Board holder middle                    | ⑪ support central de circuit imprimé                |
| ⑫ Kontaktfeder                                  | ⑫ Contact springs                        | ⑫ ressort de contact                                |



9 HE SMD/CMS auf Kundenanfrage  
möglich

9 U on request

9 U CMS possible sur demande  
du client



**europac PRO**

Montageanweisung  
EMC - Dichtung

Assembly instructions  
EMC gasket

Instructions de montage  
Joints EMC

Pos. 1*	Pos. 2
Item 1*	Item 2
Rep. 1*	Rep. 2
a	
b	1x
c	

1 a(1x)      1 b(1x)      1 c(1x)      2

\* Pos.1 ist im Lieferumfang nicht enthalten      \* Item.1 is not supplied      \* Rep.1 non compris dans la livraison

2

1a

2

1b

1c