

# SCM Series Supercapacitor Modules

## Connected Supercapacitors



This new series of electrochemical, double-layer, series-connected super capacitor modules offers excellent pulse power handling characteristics based on the combination of very high capacitance and very low ESR. Used by themselves or in conjunction with primary or secondary batteries, they provide extended back up time, longer battery life, and provide instantaneous power pulses as needed. Offers great solutions to Hold Up, Energy Harvesting, and Pulse Power Applications.

### FEATURES

- High pulse power capability
- Low ESR
- Low Leakage Current

### APPLICATIONS

- Camera Flash Systems
- Energy Harvesting
- GSM/GSR Pulse Applications
- UPS/Industrial
- Wireless Alarms
- Remote Metering
- Scanners
- Toys and Games

### HOW TO ORDER

<b>SCM</b>	<b>R</b>	<b>14</b>	<b>C</b>	<b>474</b>	<b>M</b>	<b>R</b>	<b>B</b>	<b>A</b>	<b>0</b>
<b>Series</b> SuperCap Module	<b>Diameter</b> Q = 6.3mm R = 8mm S = 10mm T = 12.5mm	<b>Case Length</b> Two digits Represent case Length in mm	<b>Voltage Code</b> C = 5.0V D = 5.4V	<b>Capacitance Code</b> 1st two digits represent significant figures 3rd digit represents multiplier (number of zeros to follow)	<b>Tolerance</b> M = ±20%	<b>Package/Lead Format</b> R = Shrink Wrap/Radial S = Plastic/Radial	<b>Package</b> B = Bulk	<b>Balancing</b> A = Unbalanced B = Passive Balanced	<b>Mounting</b> 0 = Vertical 1 = Horizontal

### QUALITY INSPECTION

Parts are tested for Life Cycle, high temperature load life, temperature characteristics, vibration resistance, and humidity characteristics. See page 2 for more information.

### TERMINATION

These supercapacitors are compatible with hand soldering, as well as reflow and wave soldering processes, so long as appropriate precautions are followed. See page 4 for more information.

### OPERATING TEMPERATURE

-40°C to +65°C @ 5.0V – 5.4V Balanced  
-40°C to +85°C @ 3.9V – 4.6V Balanced



# SCM Series Supercapacitor Modules

## Connected Supercapacitors

### RATINGS & PART NUMBER REFERENCE

AVX Part Number	Diameter (mm)	Length (mm)	Capacitance (F)	Capacitance Tolerance	Rated Voltage (V)	Rated Temperature (°C)	DCL Max @ 72 Hrs (µA)	ESR Max @ 1000 Hz (mΩ)	ESR Max @ DC (mΩ)	Peak Current (A)	Power Density (W/kg)	Max Energy (Wh)	Energy Density (Wh/kg)
<b>Shrink Wrap / Radial Lead</b>													
SCMQ14C474MRBA0	6.3	14	0.47	±20%	5.0	65*	2	300	600	0.61	918.4	0.0027	1.5
SCMQ14D474MRBB0	6.3	14	0.47	±20%	5.4	65*	6	300	600	0.61	918.4	0.0027	1.5
SCMR14C474MRBA0	8	14	0.47	±20%	5.0	65*	2	300	600	0.86	1871	0.0019	1
SCMR14D474MRBB0	8	14	0.47	±20%	5.4	65**	6	300	600	0.86	1871	0.0019	1
SCMR18C105MRBA0	8	18	1	±20%	5.0	65*	6	150	300	1.57	2095	0.004	1.7
SCMR18D105MRBB0	8	18	1	±20%	5.4	65**	10	150	300	1.57	2095	0.004	1.7
SCMR22C155MRBA0	8	22	1.5	±20%	5.0	65*	10	120	240	2.13	2160	0.006	2.3
SCMR22D155MRBB0	8	22	1.5	±20%	5.4	65**	15	120	240	2.13	2160	0.006	2.3
SCMS22C255MRBA0	10	22	2.5	±20%	5.0	65*	20	75	150	3.07	1727	0.0101	2.4
SCMS22D255MRBB0	10	22	2.5	±20%	5.4	65**	25	75	150	3.07	1727	0.0101	2.4
SCMT22C505MRBA0	12.5	22	5	±20%	5.0	65*	25	65	130	6.75	2499	0.0202	2.9
SCMT22D505MRBB0	12.5	22	5	±20%	5.4	65**	30	65	130	6.75	2499	0.0202	2.9
SCMT32C755MRBA0	12.5	32	7.5	±20%	5.0	65*	65	55	120	9.2	2339	0.0203	3.2
SCMT32D755MRBB0	12.5	32	7.5	±20%	5.4	65**	70	55	120	9.2	2339	0.0203	3.2
<b>Plastic / Radial</b>													
SCMR14C474MSBA0	9	16	0.47	±20%	5.0	65*	2	300	600	0.86	1871	0.0019	1
SCMR14D474MSBB0	9	16	0.47	±20%	5.4	65**	6	300	600	0.86	1871	0.0019	1
SCMR18C105MSBA0	9	20	1	±20%	5.0	65*	6	150	300	1.57	2095	0.004	1.7
SCMR18D105MSBB0	9	20	1	±20%	5.4	65**	10	150	300	1.57	2095	0.004	1.7
SCMR22C155MSBA0	9	24	1.5	±20%	5.0	65*	10	120	240	2.13	2160	0.006	2.3
SCMR22D155MSBB0	9	24	1.5	±20%	5.4	65**	15	120	240	2.13	2160	0.006	2.3

\* With Voltage Derating to 4.2V per Cap Temp can be rated to 85°C

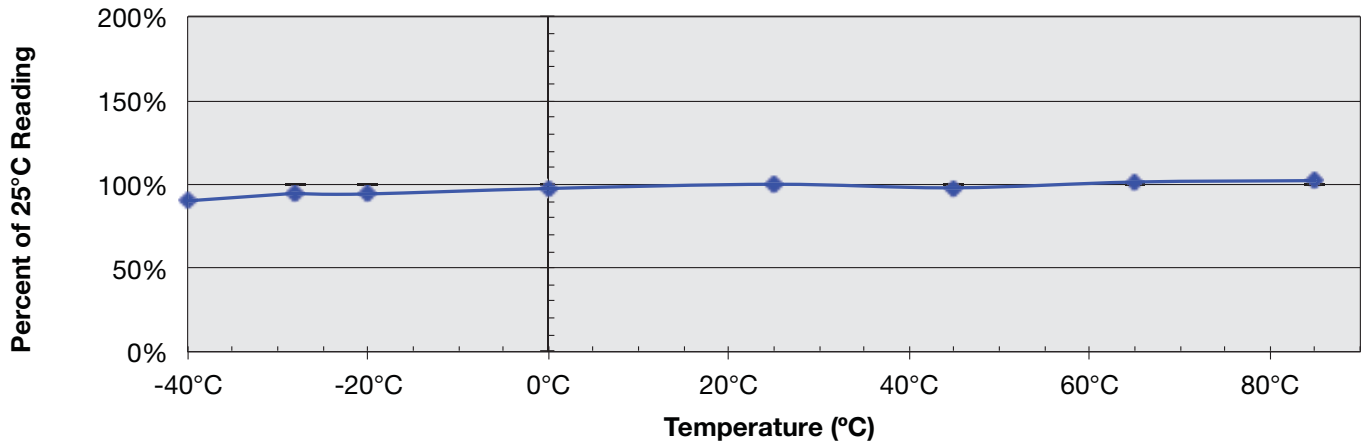
\*\*With Voltage Derating to 4.6V per Cap Temp can be rated to 85°C

### QUALIFICATION TEST SUMMARY

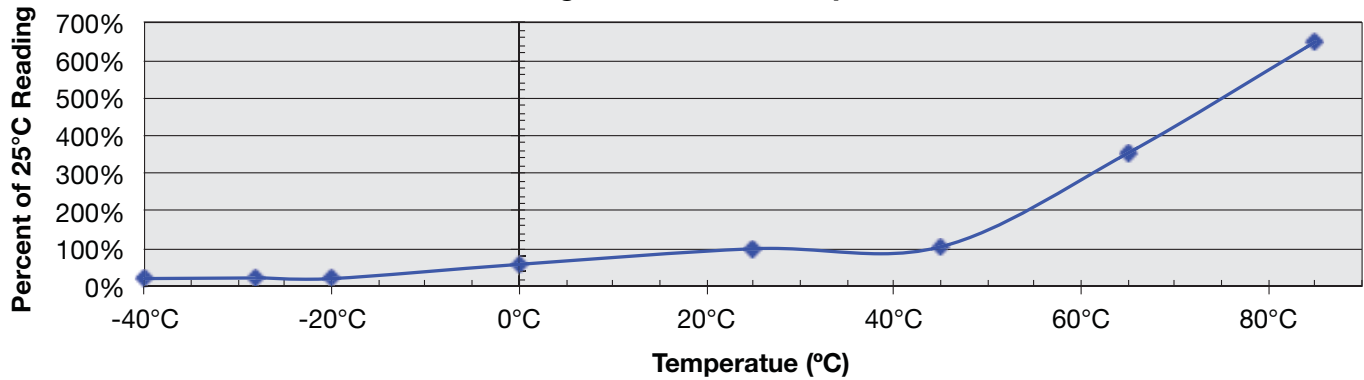
Test	Test Method	Parameter	Limits
<b>Life Cycle</b>	Capacitors are cycled between specified voltage and half-rated voltage under constant current at +25°C for 500,000 cycles	Capacitance Change ESR Appearance	≤30% of initial value ≤2 times initial value No remarkable defects
<b>High Temperature Load Life</b>	Temperature: 60 ± 2°C Voltage: 2.7V Test Duration: 1,000 +48/-0 hours	Capacitance Change ESR Appearance	≤30% of initial value ≤2 times initial value No remarkable defects
<b>Temperature Characteristics</b>	Storage Duration: 12 hours No Load Temperature: -40°C, +25°C, +65°C	Capacitance Change ESR Appearance	≤30% of initial value ≤2 times initial value No remarkable defects
<b>Vibration Resistance</b>	Amplitude: 1.5mm Frequency: 10 ~ 55Hz Direction: X, Y, Z (Each for 2 hours) Test Duration: 6 hours	Capacitance Change ESR Appearance	≤30% of initial value ≤2 times initial value No remarkable defects
<b>Humidity</b>	Voltage: 2.7V RH: 90~95% Test Duration: 240 hours Temperature: 40 ± 2°C	Capacitance Change ESR Appearance	≤30% of initial value ≤2 times initial value No remarkable defects

### QUALITY AND RELIABILITY

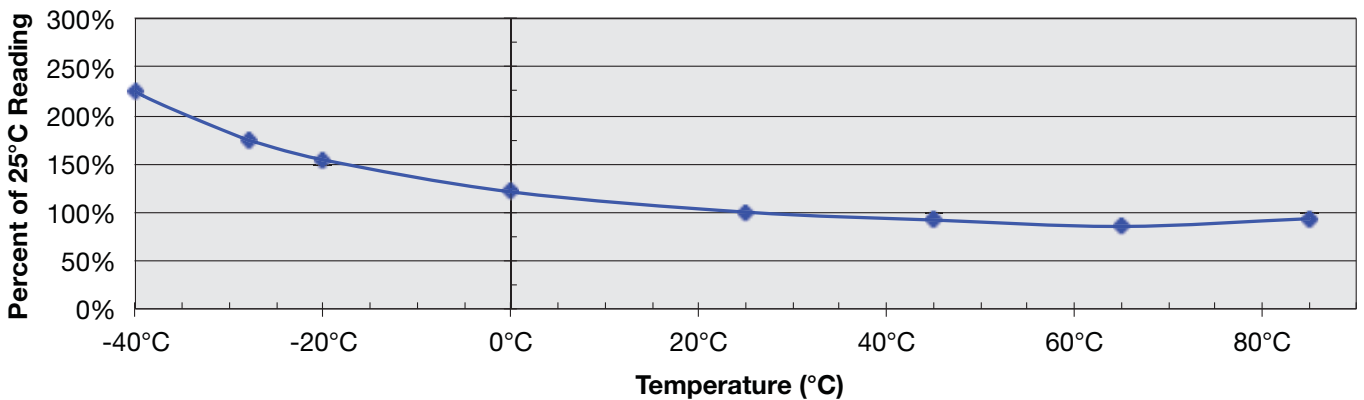
#### Capacitance vs. Temperature



#### Leakage Current vs. Temperature



#### Equivalent Series Resistance vs. Temperature



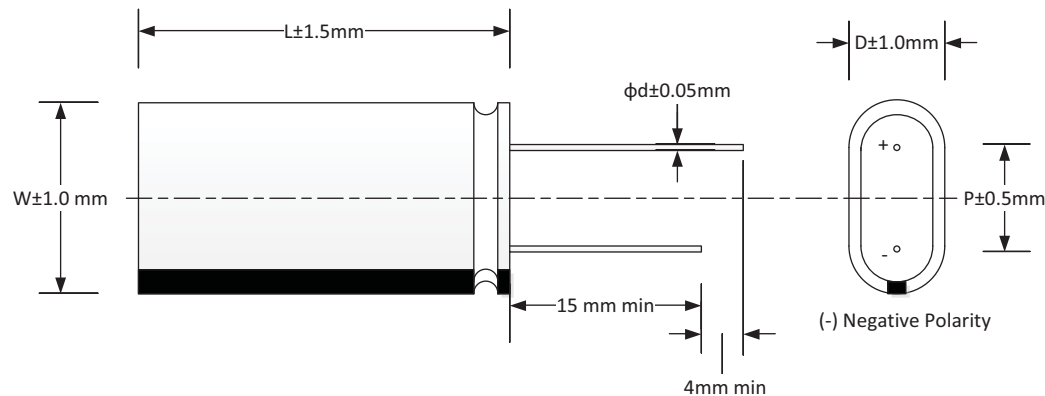
# SCM Series Supercapacitor Modules



## Connected Supercapacitors

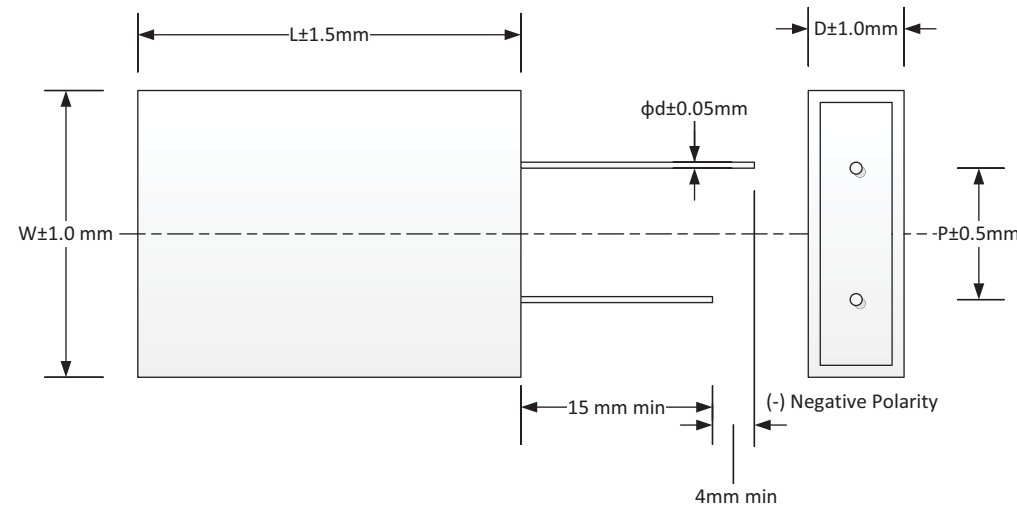
### MECHANICAL SPECIFICATIONS

#### Shrink Wrap Type



D (mm)	W (mm)	P (mm)	d (mm)
6.3	13.6	9.0	0.6
8	16	11.5	0.6
10	20	15.5	0.6
12.5	25	18.0	0.6

#### Plastic Type



D (mm)	W (mm)	P (mm)
9	18	11.5

### SOLDERING RECOMMENDATIONS

When soldering supercapacitors to a PCB, the temperature & time that the body of the supercapacitor sees during soldering can have a negative effect on performance. We advise following these guidelines:

- Do not immerse the supercapacitors in solder. Only the leads should come in contact with the solder.
- Ensure that the body of the supercapacitor is not in contact with the PCB or other components during soldering. Temperature cycling during soldering may cause the case to shrink or crack, potentially damaging the PCB or other components.

#### HAND SOLDERING

Keep some distance between the supercapacitor body and the tip of the soldering iron; contact between supercapacitor body and soldering iron will cause extensive damage to the supercapacitor. It is recommended that the soldering iron temperature should be less than 350°C, and contact time should be limited to no more than 4 seconds. Too much exposure to terminal heat during soldering can cause heat to transfer to the body of the supercapacitor, potentially damaging the supercapacitor.

#### WAVE SOLDERING

Only use wave soldering on Radial type supercapacitors. The PCB should be preheated for no longer than 60 seconds, with temperature at, or below, 100°C. Soldering tin should be 0.8mm or thicker.

Solder Temperature (°C)	Suggested Solder Time (s)	Maximum Solder Time (s)
220	7	9
240	7	9
250	5	7
260	3	5

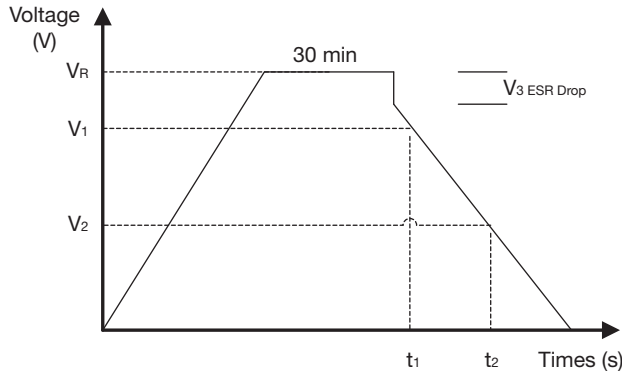
#### REFLOW SOLDERING

Infrared or conveyor over reflow techniques can be used on these supercapacitors. Do not use a traditional reflow oven without clear rated reflow temperature for supercapacitors.

### TEST METHODS

#### IEC Capacitance Test Method

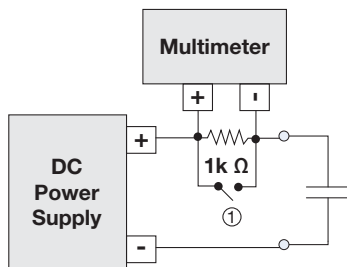
- Capacitance is measured using a Keithley 2400 or 2602 Meter
- Procedure
  - Charge Capacitor to Rated Voltage at room temperature
  - Disconnect parts from voltage to remove charging effects
  - Discharge cells with a constant current  $I$  determined by  $4 * C * V_R$
  - Noting  $V_1$ ,  $t_1$ ,  $V_2$ ,  $t_2$  and performing the calculation for  $C$



- $I$  – Discharge Current [mA],  $4 * C * V_R$
- $V_R$  – Rated Voltage
- $V_1$  – Initial Test Voltage, 80% of  $V_R$
- $V_2$  – Final Test Voltage, 40% of  $V_R$
- $t_1$  – Initial Test time
- $t_2$  – Final Test time
- $C = I * (t_2 - t_1) / (V_1 - V_2)$

#### DCL Measurement @ 25°C

- DCL is measured using a Multimeter with high internal impedance across a resistor
  - Charge Capacitor to Rated Voltage at room temperature for 72 Hours
  - Disconnect parts from Voltage by opening switch 1 (Stabilize for 10 Min)
  - Measure Voltage across a known Valued Resistor (1K Ohm)
  - Calculate DCL =  $V/R$



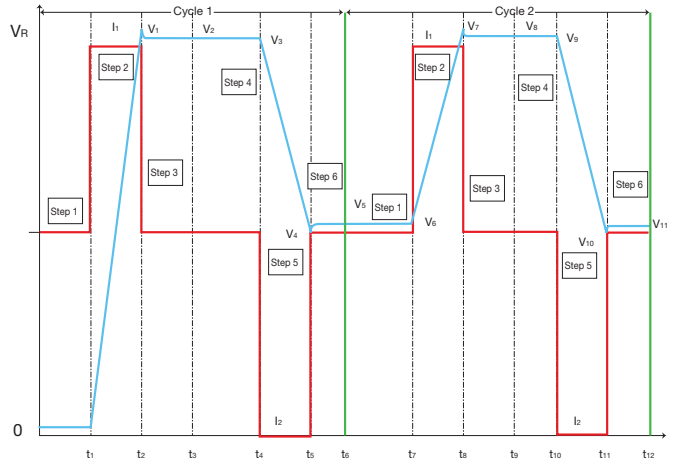
#### Initial ESR Measurement @ 25°C

- Using an Agilent 4263B LCR Meter and a Kelvin connection
  - Measure at frequency of 1000 Hz
  - Measurement Voltage of 10mV

#### DC ESR Measurement

- Six steps capacity and ESRDC Test Method is used as illustrated in the figure right.
- Tests are carried out by charging and discharging the capacitor for two cycles at rated voltage and half rated voltage

- $C = (C_{DC1} + C_{DC2}) / 2$
- $ESR_{DC} = (ESR_{DC1} + ESR_{DC2}) / 2$
- Where:  $C_{DC1} = I_2 * (t_5 - t_4) / (V_3 - V_4)$
- $C_{DC2} = I_2 * (t_{11} - t_{10}) / (V_9 - V_{10})$
- $ESR_{DC1} = (V_5 - V_4) / I_2$
- $ESR_{DC2} = (V_{11} - V_{10}) / I_2$
- $I_1 = I_2 = 75mA/F$



#### Maximum Operating Current

- This is the maximum current when capacitor temperature rise of the capacitor during its operation is less than 15°C

#### Maximum Peak Current

- This is the maximum current in less than 1 sec

#### Watt Density

- Watt Density =  $(0.12 * V^2 / R_{DC}) / \text{mass}$

#### Energy Density

- Energy density =  $(1/2 * CV^2) / (3600 * \text{mass})$

# SCM Series Supercapacitor Modules



## High Capacitance Cylindrical Supercapacitors

### POLARITY / REVERSE VOLTAGE

In principal the positive and negative electrodes of the super-capacitors are symmetrical and in theory they should not have a polarity but for product consistency and for optimum performance the negative polarity is marked because the capacitors do not discharge completely when in use. It is recommended that the

polarity should be used as marked. If the polarity is reversed the circuit will not have a catastrophic failure but the circuit will see a much higher leakage current for a short duration of time and the life time of the super-capacitors will be reduced.

### LIFE TIME AND TEMPERATURE PERFORMANCE

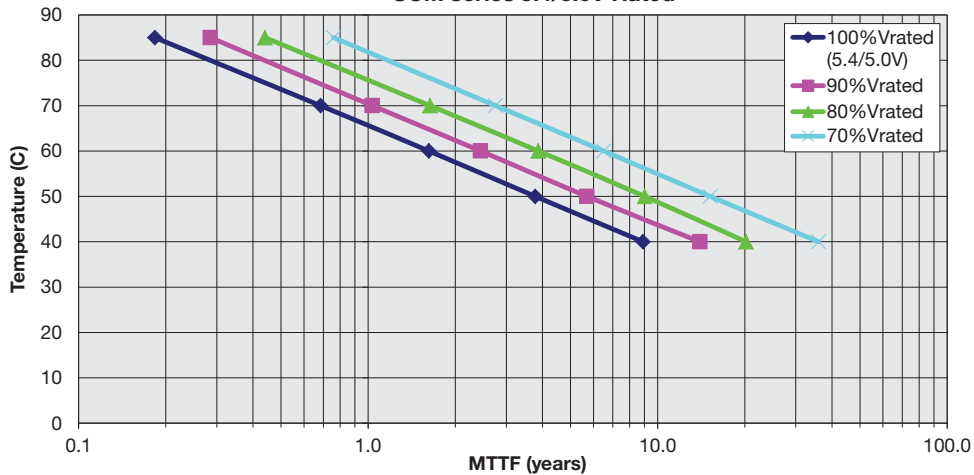
The life of a supercapacitor is impacted by a combination of operating voltage and the operating temperature according to the following equation:

$$\text{time to failure, } t \propto V^n \cdot \exp(-Q / k \cdot T) \dots\dots\dots(1)$$

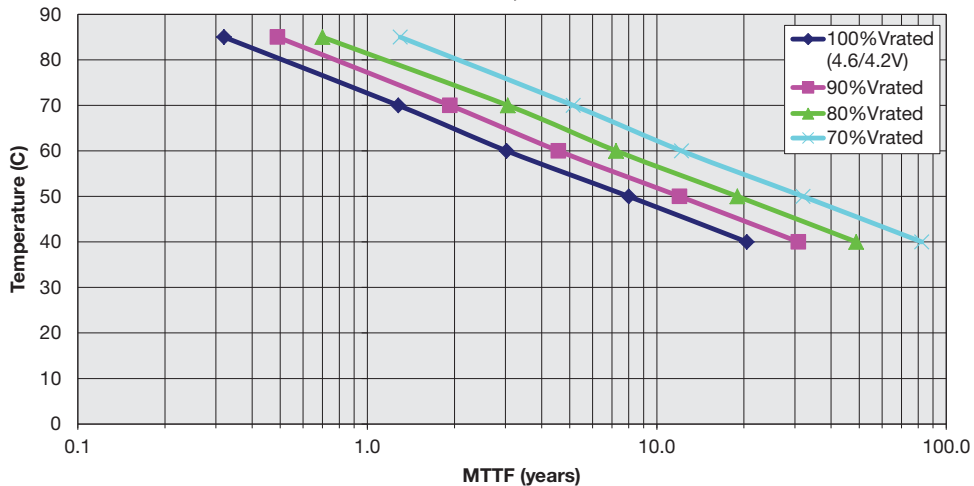
where V is the voltage of operation, Q is the activation energy in electron volts (eV), k is the Boltzmann's constant in eV and T is the operating temperature in °K (where K is in degrees Kelvin). Typical values for the voltage exponent, n, is between 2.5 - 3.5, and Q is between 1.0 - 1.2 eV in the normal operating temperature range of 40° to 65°C.

The industry standard for super-capacitor end of life is when the equivalent series resistance, ESR, increases to 200% of the original value and the capacitance drops by 30%. Typically a super-capacitance shows an initial change in the ESR value and then levels off. If the capacitors are exposed to excessive temperatures the ESR will show a continuous degradation. In the extreme case, if the temperatures or voltages are substantially higher, than the rated voltage, this will lead to cell leakage or gas leakage and the product will show a faster change in the ESR which may increase to many times the original value.

**Expected Lifetime at Various Voltages  
SCM series 5.4/5.0V Rated**



**Expected Lifetime at Various Voltages  
SCM series, 4.6/4.2V Rated**



# SCM Series Supercapacitor Modules

## High Capacitance Cylindrical Supercapacitors

---

### SAFETY RECOMMENDATIONS

#### Warnings

- To Avoid Short Circuit, after usage or test, Super Capacitor voltage needs to discharge to  $\leq 0.1V$
- Do not Apply Overvoltage, Reverse Charge, Burn or Heat Higher than  $150^{\circ}C$ , explosion-proof valve may break open
- Do not Press, Damage or disassemble the Super Capacitor, housing could heat to high temperature causing Burns
- If you observe Overheating or Burning Smell from the capacitor disconnect Power immediately, and do not touch

#### Emergency Applications

- If Housing is Leaking:
  - Skin Contact: Use soap and water thoroughly to wash the area of the skin
  - Eye Contact: Flush with flowing water or saline, and immediately seek medical treatment
  - Ingestion: Immediately wash with water and seek medical treatment

#### Transportation

Not subjected to US DOT or IATA regulations  
UN3499, <10Wh, Non-Hazardous Goods  
International shipping description –  
“Electronic Products – Capacitor”

#### Regulatory

- UL810a
- RoHS Compliant
- Reach Compliant / Halogen Free

#### Storage

- Capacitors may be stored within the operating temperature range of the capacitor
- Lower storage temperature is preferred as it extends the shelf life of the capacitor
- Do Not Store the Super Capacitors in the following Environments
  - High Temperature / High Humidity environments  $>70^{\circ}C$  / 40% RH
  - Direct Sunlight
  - In direct contact with water, salt oil or other chemicals
  - In direct contact with corrosive materials, acids, alkalis, or toxic gases
  - Dusty environment
  - In environment with shock and vibration conditions

Licensed by CAP-XX

## AMERICAS

AVX Greenville, SC  
Tel: 864-967-2150

## EUROPE

AVX Limited, England  
Tel: +44-1276-697000

AVX S.A.S., France  
Tel: +33-1-69-18-46-00

AVX GmbH, Germany  
Tel: +49-0811-95949-0

AVX SRL, Italy  
Tel: +39-02-614-571

AVX Czech Republic  
Tel: +420-57-57-57-521

AVX/ELCO UK  
Tel: +44-1638-675000

ELCO Europe GmbH  
Tel: +49-2741-299-0

AVX S.A., Spain  
Tel: +34-91-63-97-197

AVX Benelux  
Tel: +31-187-489-337

## ASIA-PACIFIC

AVX/Japan  
Tel: +81-740-32-1250

AVX/Kyocera (S) Pte Ltd.,  
Singapore  
Tel: +65-6286-7555

AVX/Kyocera, Asia, Ltd.,  
Hong Kong  
Tel: +852-2363-3303

AVX/Kyocera Yuhan Hoesa,  
South Korea  
Tel: +82-2785-6504

AVX/Kyocera HK Ltd.,  
Taiwan  
Tel: +886-2-2656-0258

AVX/Kyocera (M) Sdn Bhd,  
Malaysia  
Tel: +60-4228-1190

AVX/Kyocera International  
Trading Co. Ltd.,  
Shanghai  
Tel: +86-21-3255 1933

AVX/Kyocera Asia Ltd.,  
Shenzen  
Tel: +86-755-3336-0615

AVX/Kyocera International  
Trading Co. Ltd.,  
Beijing  
Tel: +86-10-6588-3528

AVX/Kyocera India  
Liaison Office  
Tel: +91-80-6450-0715

## ASIA-KED

(KYOCERA Electronic Devices)

KED Hong Kong Ltd.  
Tel: +852-2305-1080/1223

KED Hong Kong Ltd.  
Shenzen  
Tel: +86-755-3398-9600

KED Company Ltd.  
Shanghai  
Tel: +86-21-3255-1833

KED Hong Kong Ltd.  
Beijing  
Tel: +86-10-5869-4655

KED Taiwan Ltd.  
Tel: +886-2-2950-0268

KED Korea Yuhan Hoesa,  
South Korea  
Tel: +82-2-783-3604/6126

KED (S) Pte Ltd.  
Singapore  
Tel: +65-6509-0328

Kyocera Corporation  
Japan  
Tel: +81-75-604-3449

### Contact:

