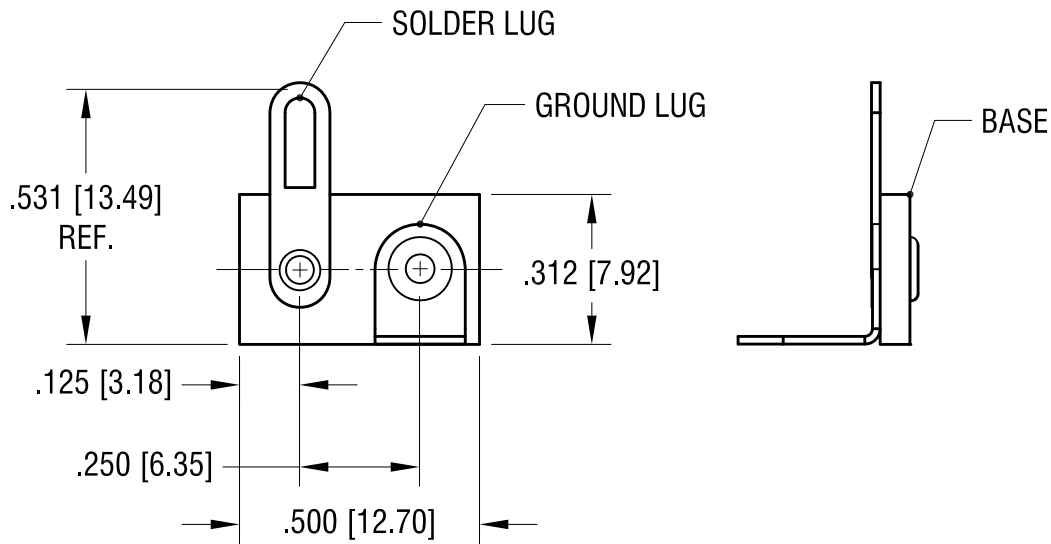
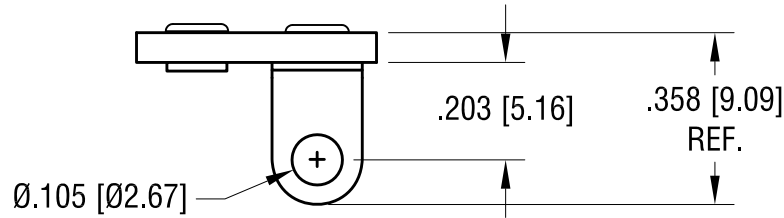
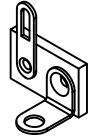


THIS DOCUMENT IS THE PROPERTY OF  
KEYSTONE ELECTRONICS CORP. AND  
SHALL NOT BE REPRODUCED, DISTRIBUTED  
OR USED AS A BASIS FOR MANUFACTURE  
WITHOUT PRIOR WRITTEN PERMISSION  
FROM KEYSTONE ELECTRONICS CORP.

**ACTUAL SIZE**



**NOTE:**

1. BASE: MAT'L: .062 [1.57] TH'K PHENOLIC
2. SOLDER LUG: MAT'L: BRASS, TIN PLATE
3. GROUND LUG: MAT'L: BRASS, TIN PLATE

**KEYSTONE ELECTRONICS CORP.**

www.keyelco.com • NEW HYDE PARK NY 11040 • Tel (516)328-7500

PART NAME		MINIATURE TERMINAL STRIP	
MATERIAL		.062 TH'K XP PHENOLIC	
FINISH	AS NOTED	DRN BY BOONE	DATE 3.16.82
		APP'D RH	SCALE 2.5X
TOLERANCES	INCH [MM]	CODE	DWG NO.
DECIMAL	± .015 [± 0.38]	C	837
ANGULAR	± 1°		
UNLESS OTHERWISE SPECIFIED			

1.04.02	CHANGE AS PER ECN 02-001	A
DATE	DESCRIPTION	REV.