

PROTECTION PRODUCTS - RailClamp®

Description

RailClamps are ultra low capacitance TVS arrays designed to protect high speed data interfaces. This series has been specifically designed to protect sensitive components which are connected to high-speed data and transmission lines from overvoltage caused by **ESD** (electrostatic discharge), **CDE** (Cable Discharge Events), and **EFT** (electrical fast transients).

The RClamp™0502B has a typical capacitance of only 0.50pF (pin 1 to 2). This means it can be used on circuits operating in excess of 3GHz without signal attenuation. They may be used to meet the ESD immunity requirements of IEC 61000-4-2, Level 4 ($\pm 15\text{kV}$ air, $\pm 8\text{kV}$ contact discharge). Each device can be configured to protect 1 bidirectional line or two unidirectional lines.

These devices are in a small SC-75 (SOT-523) package and feature a lead-free, matte tin finish. They are compatible with both lead free and SnPb assembly techniques. They are designed for use in applications where board space is at a premium. The combination of small size, low capacitance, and high level of ESD protection makes them a flexible solution for applications such as HDMI, MDDI, antenna circuits, Automatic Test Equipment, USB 2.0, and Infiniband circuits.

Features

- ◆ Transient protection for high-speed data lines to **IEC 61000-4-2 (ESD) $\pm 15\text{kV}$ (air), $\pm 8\text{kV}$ (contact)**
IEC 61000-4-4 (EFT) 40A (5/50ns)
- ◆ Designed to replace polymer TVS
- ◆ Protects up to two I/O lines
- ◆ Ultra-Low capacitance (**<1pF**)
- ◆ No insertion loss to **>3.0GHz**
- ◆ Low profile (**<1mm**)
- ◆ Low leakage current and clamping voltage
- ◆ Low operating voltage: 5.0V
- ◆ Solid-state silicon-avalanche technology

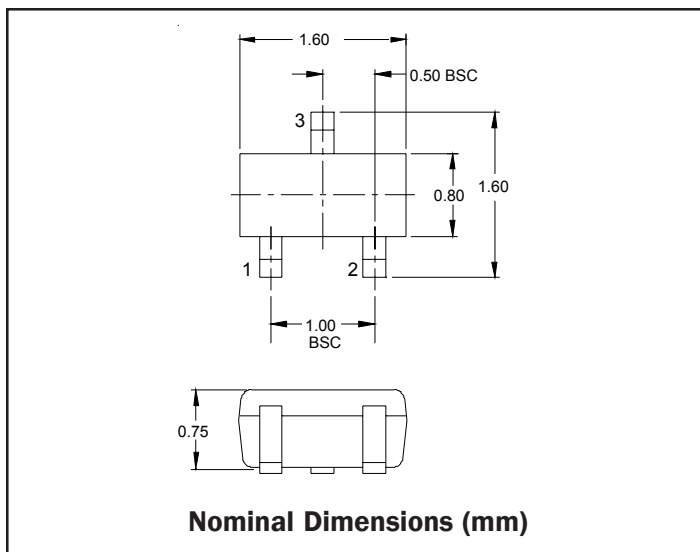
Mechanical Characteristics

- ◆ SC-75 (SOT-523) package
- ◆ Lead Finish: Matte Tin
- ◆ RoHS/WEEE Compliant
- ◆ Molding compound flammability rating: UL 94V-0
- ◆ Marking: P5
- ◆ Packaging: Tape and Reel per EIA 481

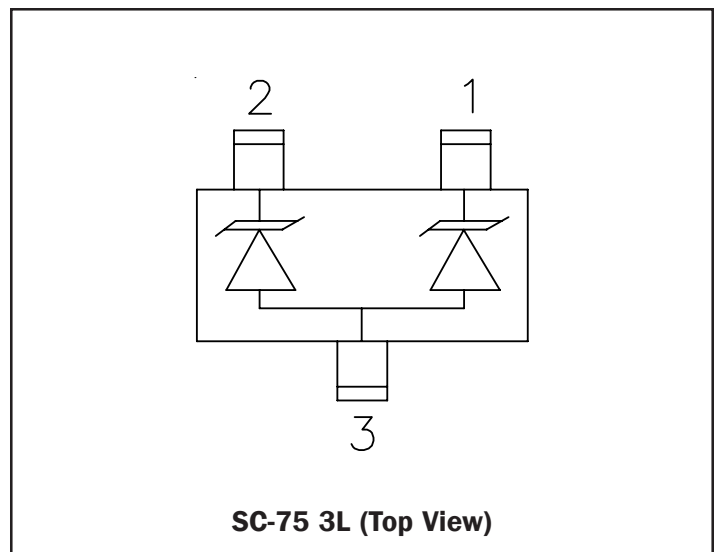
Applications

- ◆ High-Definition Multimedia Interface (HDMI)
- ◆ Mobile Display Digital Interface (MDDI)
- ◆ RF/Antenna Circuits
- ◆ USB 2.0 & Firewire Ports
- ◆ GaAs Photodetector Protection
- ◆ HBT Power Amp Protection
- ◆ Infiniband Transceiver Protection

Dimensions



Schematic & PIN Configuration



PROTECTION PRODUCTS
Absolute Maximum Rating

| Rating | Symbol | Value | Units |
|--|-----------|-------------|-------|
| Peak Pulse Power (tp = 8/20μs) | P_{pk} | 125 | Watts |
| Peak Pulse Current (tp = 8/20μs) | I_{pp} | 5 | A |
| ESD per IEC 61000-4-2 (Air) ESD per IEC 61000-4-2 (Contact) | V_{ESD} | 15 8 | kV |
| Operating Temperature | T_J | -55 to +125 | °C |
| Storage Temperature | T_{STG} | -55 to +150 | °C |

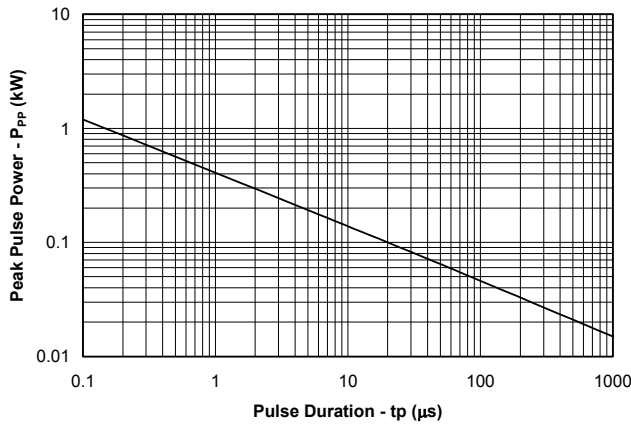
Electrical Characteristics (T=25°C)

| Parameter | Symbol | Conditions | Minimum | Typical | Maximum | Units |
|---------------------------|-----------|---|---------|---------|---------|-------|
| Reverse Stand-Off Voltage | V_{RWM} | Pin 1 or Pin 2 to Pin 3 and Between Pins 1 and 2 | | | 5 | V |
| Reverse Breakdown Voltage | V_{BR} | $I_t = 1mA$ Pin 1 or Pin 2 to Pin 3 and Between Pins 1 and 2 | 6 | | | V |
| Reverse Leakage Current | I_R | $V_{RWM} = 5V, T=25°C$ Pin 1 or Pin 2 to Pin 3 and Between Pins 1 and 2 | | | 1 | μA |
| Clamping Voltage | V_C | $I_{pp} = 1A, tp = 8/20μs$ Pin 1 to Pin 2 | | | 15 | V |
| Clamping Voltage | V_C | $I_{pp} = 5A, tp = 8/20μs$ Pin 1 or Pin 2 to Pin 3 | | | 22 | V |
| Clamping Voltage | V_C | $I_{pp} = 5A, tp = 8/20μs$ Pin 1 to Pin 2 | | | 25 | V |
| Junction Capacitance | C_j | $V_R = 0V, f = 1MHz$ Pin 1 to Pin 2 | | 0.60 | 0.9 | pF |
| Junction Capacitance | C_j | $V_R = 0V, f = 1MHz$ Pin 1 or Pin 2 to Pin 3 | | | 1.2 | pF |

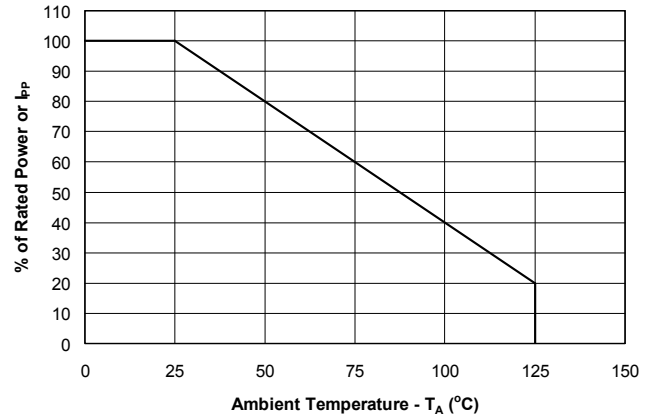
PROTECTION PRODUCTS

Typical Characteristics

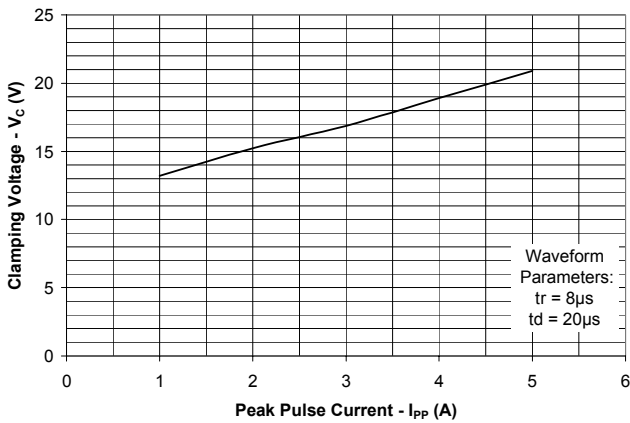
Non-Repetitive Peak Pulse Power vs. Pulse Time



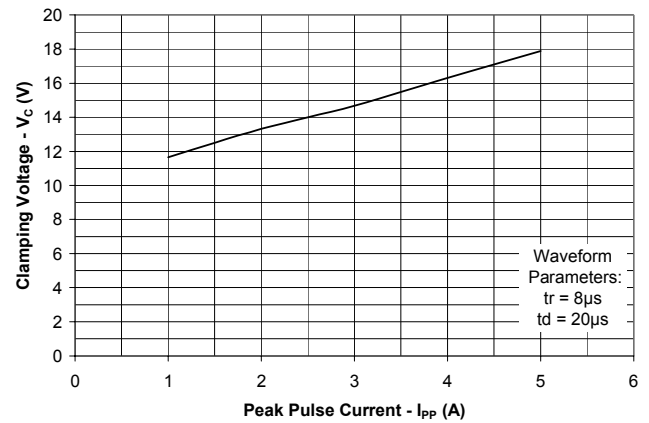
Power Derating Curve



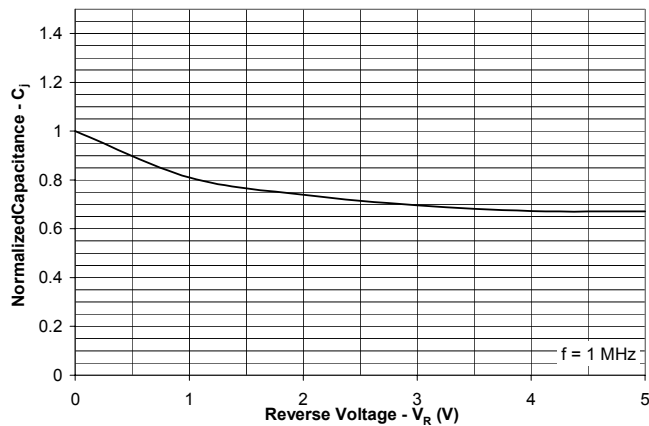
Clamping Voltage vs. Peak Pulse Current
Pin 1 to Pin 2



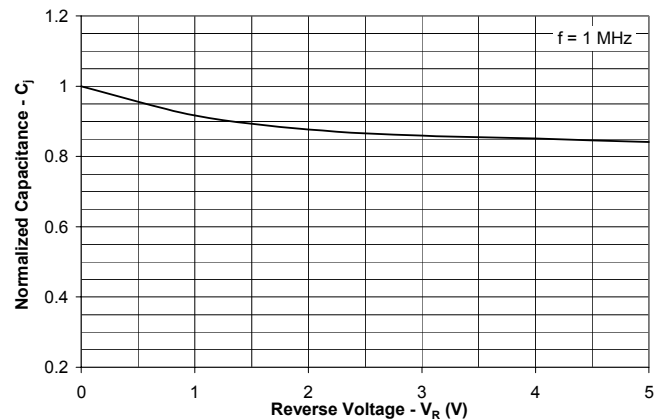
Clamping Voltage vs. Peak Pulse Current
Pin 1 or Pin 2 to Pin 3



Normalized Capacitance vs. Reverse Voltage
Pin 1 or Pin 2 to Pin 3



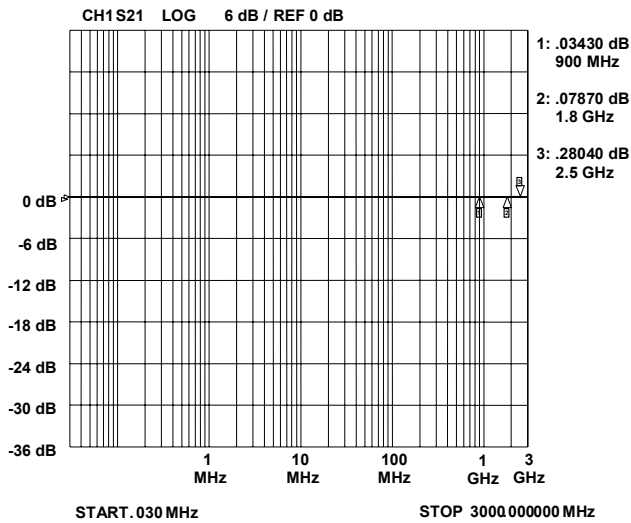
Normalized Capacitance vs. Reverse Voltage
Pin 1 to Pin 2



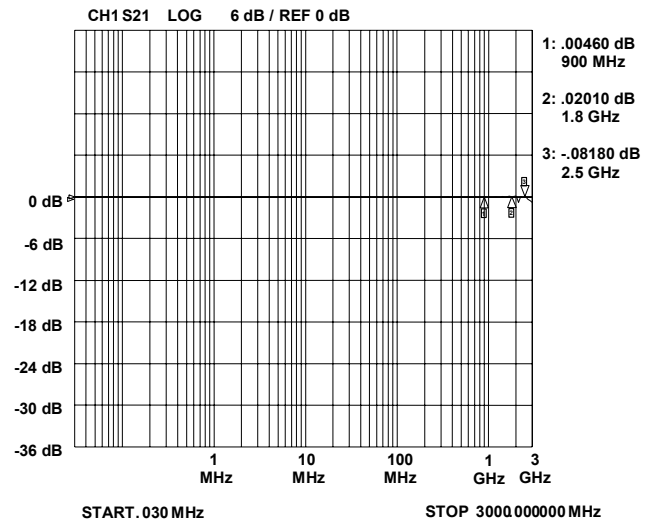
PROTECTION PRODUCTS

Typical Characteristics

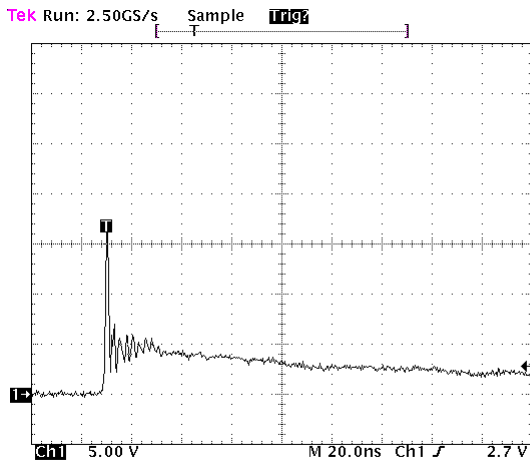
Insertion Loss S21 (Pin 1 to Pin 2)



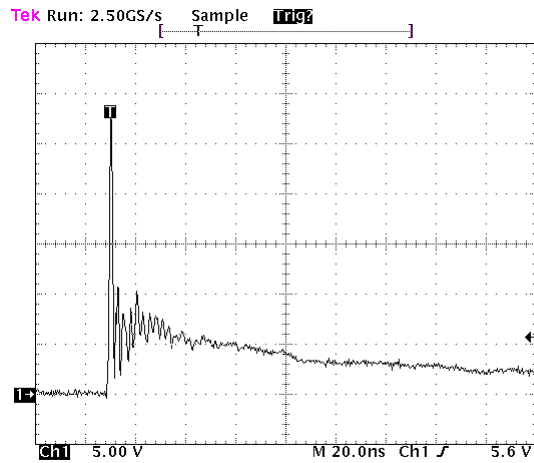
Insertion Loss S21 (Pin 1 or Pin 2 to Pin 3)



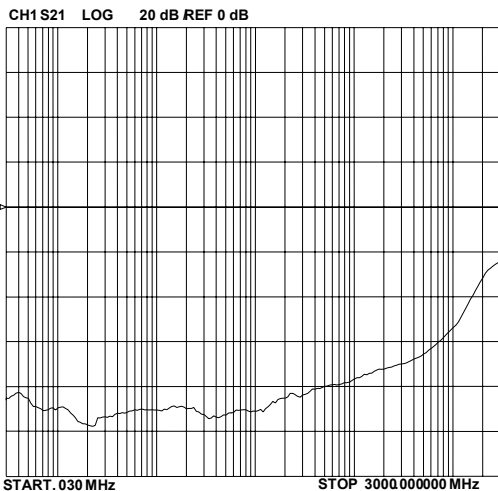
ESD Response (4kV Contact per IEC 61000-4-2)



ESD Response (8kV Contact per IEC 61000-4-2)



Analog Crosstalk



PROTECTION PRODUCTS**Applications Information****Device Connection Options**

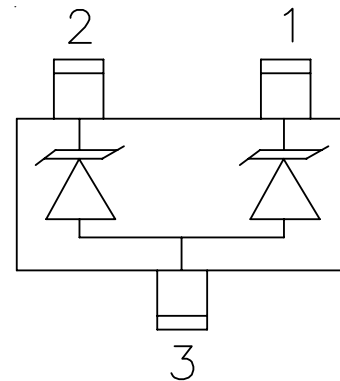
This device is optimized for protection of 1 line operating in excess of 3GHz. It may also be used to protect two lines operating in excess of 2.0GHz. The device is connected as follows:

Protection for one line with $<1\text{pF}$ capacitance can be achieved by connecting one data line to either pin 1 or pin 2 with the other pin connected to ground. Pin 3 is not connected. The connection to ground should be made directly to a ground plane. The path length should also be kept as short as possible to minimize parasitic inductance.

Protection of two lines is achieved by connecting data lines at pins 1 & 2. Pin 3 is connected to ground. The connection to ground should be made directly to a ground plane. The path length should also be kept as short as possible to minimize parasitic inductance.

Matte Tin Lead Finish

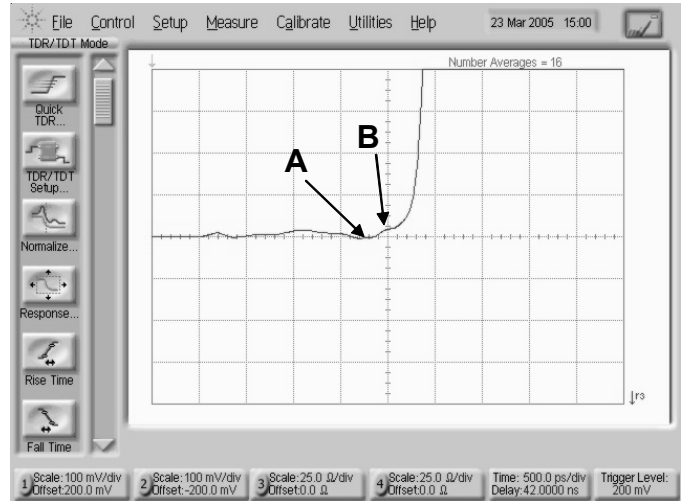
Matte tin has become the industry standard lead-free replacement for SnPb lead finishes. A matte tin finish is composed of 100% tin solder with large grains. Since the solder volume on the leads is small compared to the solder paste volume that is placed on the land pattern of the PCB, the reflow profile will be determined by the requirements of the solder paste. Therefore, these devices are compatible with both lead-free and SnPb assembly techniques. In addition, unlike other lead-free compositions, matte tin does not have any added alloys that can cause degradation of the solder joint.

Figure 1. Pin Configuration

PROTECTION PRODUCTS

Applications Information

The HDMI Compliance Test Specification (CTS) requires sink (receiver) ports maintain a differential impedance of 100 Ohms +/- 15%. The measurement is taken using a Time Domain Reflectometry (TDR) method that utilizes a pulse with a risetime <= 200ps. ESD protection devices have an inherent junction capacitance. Even a small amount of added capacitance on an HDMI port will cause the impedance of the differential pair to drop. As such, some form of compensation to the layout will be required to bring the differential pairs back within the required 100 Ohm +/- 15% range. The higher the added capacitance, the more extreme the modifications will need to be. If the added capacitance is too high, compensation may not even be possible. The RClamp0502B presents <1pF capacitance between the pairs while being rated to handle >8kV ESD contact discharges (>15kV air discharge) as outlined in IEC 61000-4-2. As such, it is possible to make minor adjustments to the board layout parameters to compensate for the added capacitance of the RClamp0502B. Figure 2 shows how to implement the RClamp0502B in an HDMI application (transmitter and receiver). Figure 3 shows impedance test results using a Semtech evaluation board with layout compensation. As shown, the device meets the HDMI CTS impedance requirements.



| | A | B | |
|---------------|-------|-------|---------------|
| X-axis | 1.640 | 1.855 | (nsec) |
| Y-axis | 99.2 | 104.6 | (Ohm) |

Figure 3 - TDR Measurement using Semtech Evaluation Board

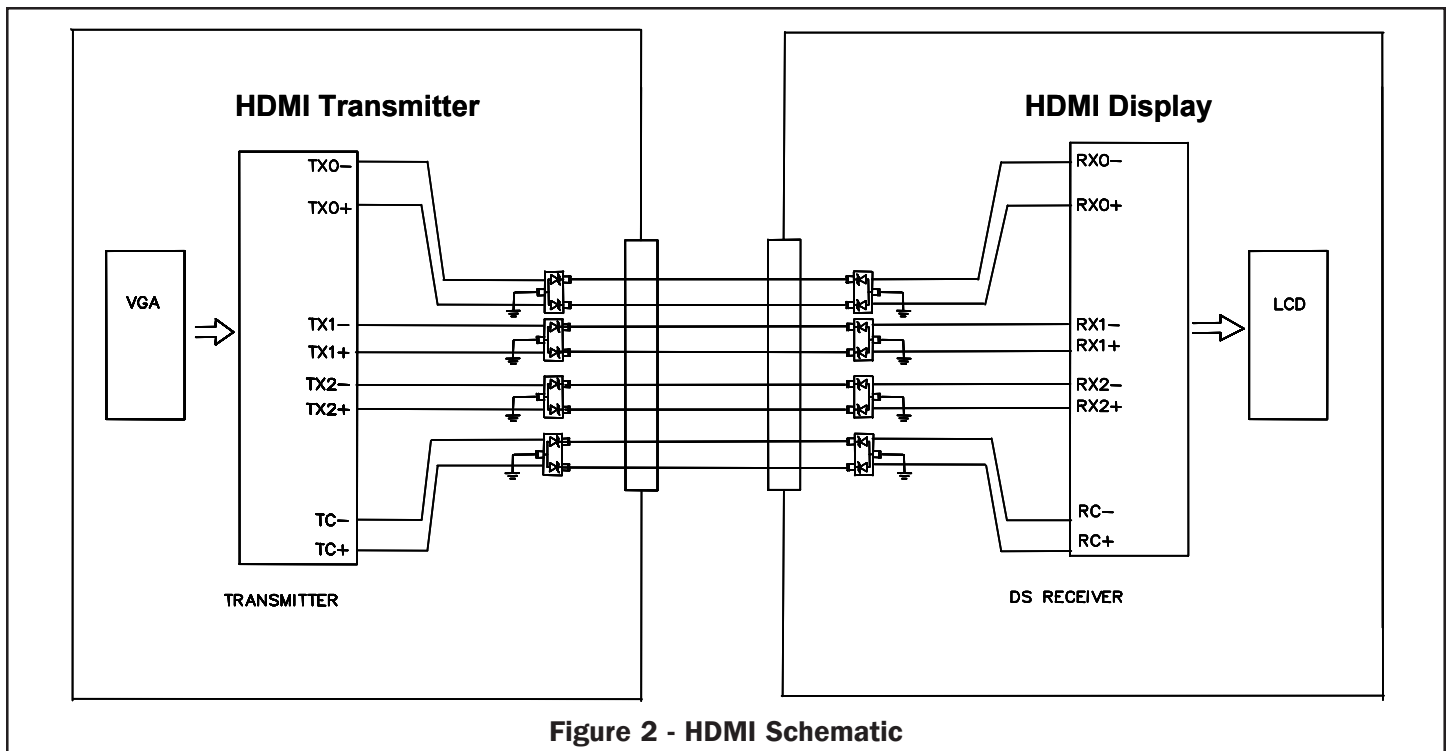
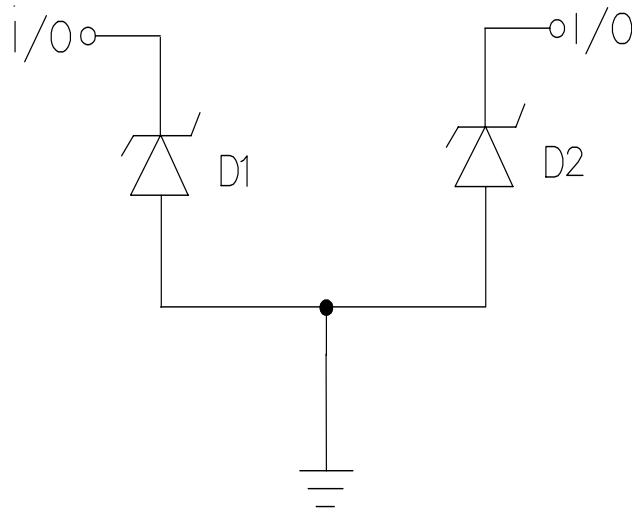


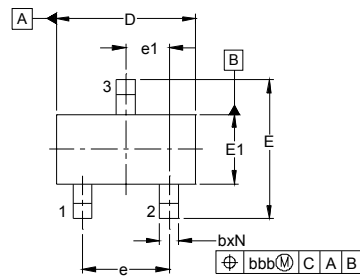
Figure 2 - HDMI Schematic

PROTECTION PRODUCTS
Applications Information - Spice Model

RClamp0502B Spice Model
Table 1 - RClamp0502B Spice Parameters

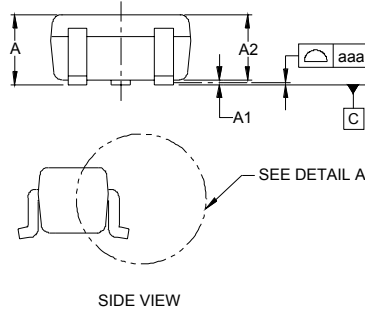
| Parameter | Unit | D1 (TVS) | D2 (TVS) |
|-----------|-------|----------|----------|
| IS | Amp | 4.43E-14 | 4.43E-14 |
| BV | Volt | 8.89 | 8.89 |
| VJ | Volt | 0.68 | 0.68 |
| RS | Ohm | 1.72 | 1.72 |
| IBV | Amp | 1.0E-3 | 1.0E-3 |
| CJO | Farad | 1.18E-12 | 1.18E-12 |
| TT | sec | 2.541E-9 | 2.541E-9 |
| M | -- | 0.133 | 0.133 |
| N | -- | 1.1 | 1.1 |
| EG | eV | 1.11 | 1.11 |

PROTECTION PRODUCTS

Outline Drawing -SC-75 (SOT-523)

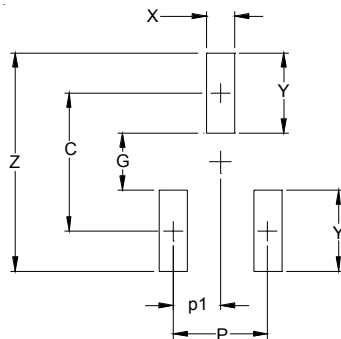


| DIM | INCHES | | | MILLIMETERS | | |
|-----|----------|------|------|-------------|------|------|
| | MIN | NOM | MAX | MIN | NOM | MAX |
| A | .023 | - | .035 | 0.60 | - | 0.90 |
| A1 | .000 | - | .004 | 0.00 | - | 0.10 |
| A2 | .023 | .030 | .031 | 0.60 | 0.75 | 0.80 |
| b | .005 | - | .012 | 0.15 | - | 0.30 |
| c | .003 | - | .008 | 0.10 | - | 0.20 |
| D | .059 | .063 | .067 | 1.50 | 1.60 | 1.70 |
| E | .057 | .063 | .069 | 1.45 | 1.60 | 1.75 |
| E1 | .029 | .031 | .033 | 0.75 | 0.80 | 0.85 |
| e | .039 BSC | | | 1.00 BSC | | |
| e1 | .020 BSC | | | 0.50 BSC | | |
| L | (.009) | | | (0.22) | | |
| N | 3 | | | 3 | | |
| φ | 0° | - | 8° | 0° | - | 8° |
| aaa | .004 | | | 0.10 | | |
| bbb | .008 | | | 0.20 | | |



- NOTES:
1. CONTROLLING DIMENSIONS ARE IN MILLIMETERS (ANGLES IN DEGREES).
 2. DATUMS **-A-** AND **-B-** TO BE DETERMINED AT DATUM PLANE **-H-**
 3. DIMENSIONS "E1" AND "D" DO NOT INCLUDE MOLD FLASH, PROTRUSIONS OR GATE BURRS.

Land Pattern -SC-75 (SOT-523)

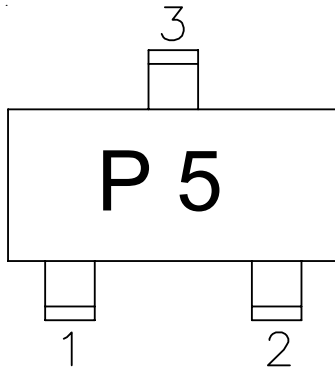


| DIM | DIMENSIONS | |
|-----|------------|-------------|
| | INCHES | MILLIMETERS |
| C | (.055) | (1.40) |
| P | .039 | 1.00 |
| p1 | .020 | 0.50 |
| G | .024 | 0.60 |
| X | .016 | 0.40 |
| Y | .031 | 0.80 |
| Z | .087 | 2.20 |

- NOTES:
1. THIS LAND PATTERN IS FOR REFERENCE PURPOSES ONLY CONSULT YOUR MANUFACTURING GROUP TO ENSURE YOUR COMPANY'S MANUFACTURING GUIDELINES ARE MET.

PROTECTION PRODUCTS

Marking

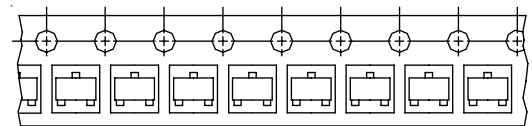
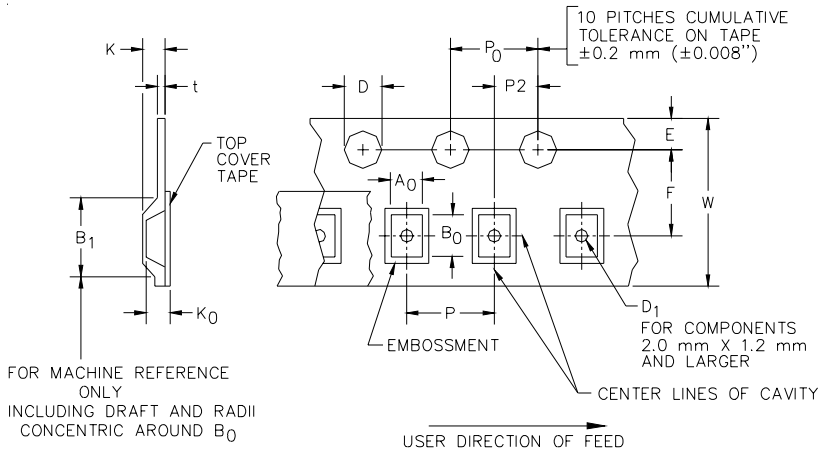


Ordering Information

| Part Number | Lead Finish | Qty per Reel | Reel Size |
|-----------------|-------------|--------------|-----------|
| RClamp0502B.TCT | Pb Free | 3,000 | 7 Inch |

RailClamp and RClamp are registered marks of Semtech Corporation

Tape and Reel Specification



Device Orientation in Tape

| Tape Width | B, (Max) | D | D1 (MIN) | E | F | K (MAX) | P | P0 | P2 | T(MAX) | W |
|------------|---------------|--|---------------|--------------------------|-------------------------|---------------|-------------------------|-------------------------|------------------------|---------------|--------------------|
| 8 mm | 4.2 mm (.165) | 1.5 + 0.1 mm - 0.0 mm (0.59 +.005 -.000) | 1.0 mm (.039) | 1.750±.10 mm (.069±.004) | 3.5±0.05 mm (.138±.002) | 2.4 mm (.094) | 4.0±0.1 mm (.157±.00-4) | 4.0±0.1 mm (.157±.00-4) | 2.0±0.05mm (.079±.002) | 0.4 mm (.016) | 8.3 mm (.312±.012) |

Contact Information

Semtech Corporation
 Protection Products Division
 200 Flynn Rd., Camarillo, CA 93012
 Phone: (805)498-2111 FAX (805)498-3804