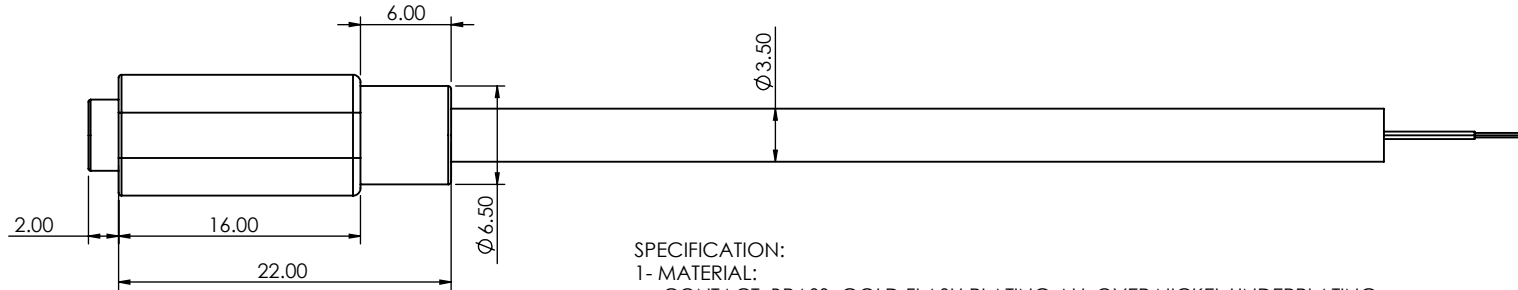
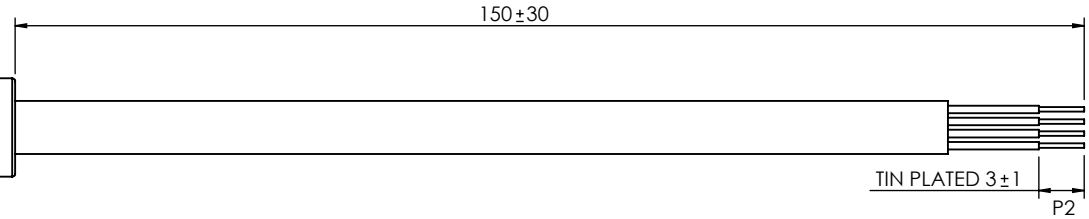
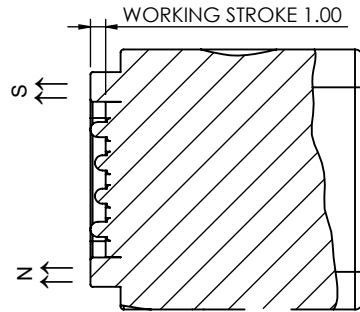
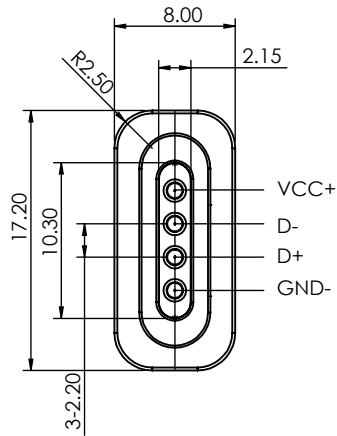


TOLERANCE UNLESS OTHERWISE SPECIFIED	
.X	±0.15
.XX	±0.10

THIS IS A C.A.D. GENERATED DRAWING
DO NOT MAKE MANUAL REVISIONS TO MASTER.



ISSUE NUMBER	
ORIGINAL	①
ADD NOTE 7	
P.M. AUG. 13/2023	②



SPECIFICATION:

- 1- MATERIAL:
CONTACT: BRASS, GOLD FLASH PLATING ALL OVER NICKEL UNDERPLATING
HOUSING : TPE 90
CABLE: TPE, BLACK
SHELL: ABS
- 2- ELECTRICAL:
VOLTAGE RATING: 5V
CURRENT RATING: 3A
INSULATION RESISTANCE: 300V/DC 10MEGAOHMS MIN.
ON-RESISTANCE: 0.3 OHMS MAX.
100% BREAK/SHORT TEST
- 3- SWING TEST: 200g LIFTING WEIGHT , ±60 DEGREES 30 TIMES/MIN, 2000 TIMES CONDUCTION OK
- 4- WORKING ELASTIC SINGLE PIN: PRESS STROKE 0.8mm (PER CONTACT) 80gf MAX.
- 5- LIFE TEST: PRESS STROKE 0.8mm, 10,000 CYCLES MIN.
- 6- OPERATING TEMPERATURE RANGE: -30~+85°C.
- 7- MATING WITH: 686F0432350125E

CONNECT DIAGRAM

P1		P2
1	RED	VCC+
2	WHITE	D+
3	GREEN	D-
4	BLACK	GND-

**MAGNETIC SPRING LOADED CONNECTOR,
4POS, MALE**

ACAD REFERENCE NO.:	687F0432050110B	UNIT: MM
DRAWN:	J.L.	DATE: 8/13/2023
CHECKED:	R.S.M	DATE: 8/13/2023
SCALE:	(IN CAD 1:1)	SHEET 1 OF 1
DRAWING NUMBER:	687F0432050110B	ISSUE
PART NUMBER:	687F0432050110B	2



THIS SERIES FULLY CONFORMS TO
THE EUROPEAN UNION DIRECTIVES
2011/65/EU FOR RoHS COMPLIANCY.



YOUR CONNECTION TO QUALITY & SERVICE

EDAC INC
TORONTO, ONTARIO
CANADA

THESE DRAWINGS AND SPECIFICATIONS
ARE THE PROPERTY OF EDAC INC., AND
SHALL NOT BE REPRODUCED, OR COPIED
OR USED AS THE BASIS FOR THE
MANUFACTURE OR SALE OF APPARATUS
WITHOUT WRITTEN PERMISSION.