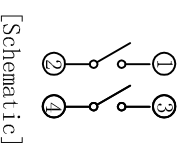
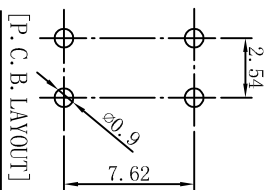
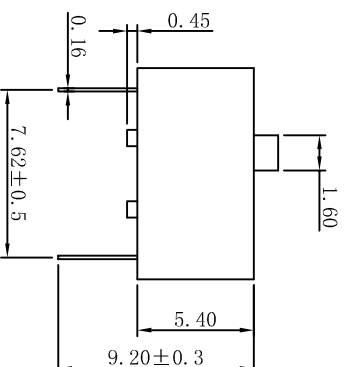
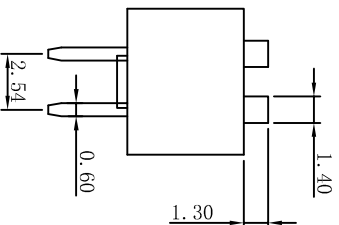
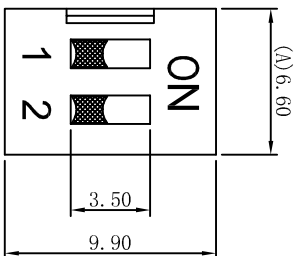


ROHS compliant



### NOTES:

#### 1.MECHANICAL:

- 1>. Operation force: 1000gf Max.
- 2>. Operation Temperature: -30 °C to +85°C.
- 3>. Storage Temperature: -40 °C to +85°C.
- 4>. Mechanical Life: 3000 cycles operations.
- 5>. Resistance to Soldering: 260 ±5°C for 3-5 Seconds.
- 6>. Please keep switch in "OFF" when welding.

#### 2.MATERIAL:

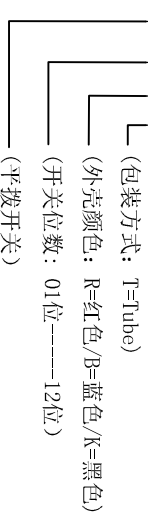
- 1>. Base: UL94V-0 PBT Thermoplastic / Color:Black.
- 2>. COVER: UL94V-0 PBT Thermoplastic / Color:Red, Black, Blue.
- 3>. ACTUATOR: UL94V-0 PBT High Thermoplastic / Color: White.
- 4>. TERMINAL: Copper alloy with gold plating for1.5u".

#### 3.ELECTRICAL:

- 1>. Non-switching Rating:100mA at 50VDC.
- 2>. Switching Rating: 25mA at 24VDC.
- 3>. Contact Resistance: Initial 50mΩ Max. Contact Resistance: After life 100mΩ Max.
- 4>. Insulation Resistance:100MΩ Min at 500VDC.
- 5>. Dielectric Strength: 500VAC for 60seconds.
- 6>. Switch Capacitance: 5PF Max at 1MHZ.

#### 4.PART NUMBER DESCRIPTION:

DS-XX-B-T



#### 5.PACKING: 74pcs/Tube, 3700pcs/Box.

REV.	ECN NO.	DRAWN	DATE

Drawing	DKG	Date	2018.01.20	LINER	ANGLES	PRODUCT Family DS Series Pitch 2.54mm
Check	TOM	Scale	3:1	>0±0.05	>0° ±0.5°	PRAT NO. DS-02-B-T
Approved		Unit	MM	>1±0.10	>5° ±1.0°	FILE NO. SK-DS-002-B
Size	A4	Rev.	A	>10±0.30		PROJECTION

东莞市康深电子科技有限公司  
Kongshen Electronics technology co., LTD.