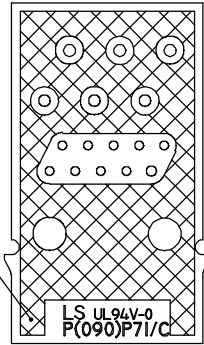
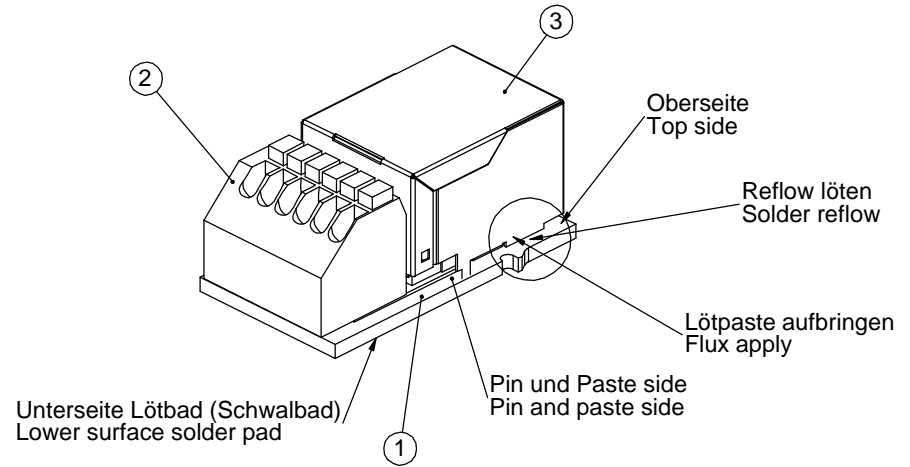


THE INFORMATION CONTAINED IN THIS DRAWING IS THE SOLE PROPERTY OF YAMAICHI ELECTRONICS DEUTSCHLAND GmbH. ANY REPRODUCTION IN PART OR WHOLE WITHOUT THE WRITTEN PERMISSION OF YAMAICHI ELECTRONICS DEUTSCHLAND GmbH IS PROHIBITED.

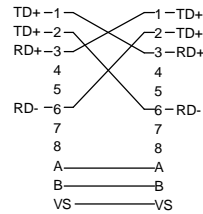
Unterseite Abschirmfläche
EMV (Kupferfläche + Lötstopplack) nach Absprache
Lower surface, shielding surface
EMV (copper surface + solder resist) as agreed



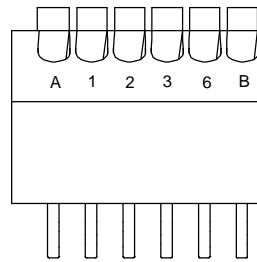
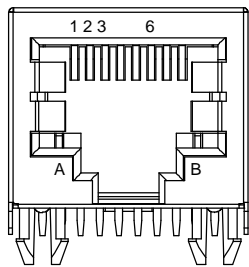
(2 : 1)



Note :
Standard Ethernet link



Die Kontaktverbindung ist nur schematisch zur Erklärung.
The contact connection is only for explanation
VS: Verbindung Schirm auf Printklemme
VS: Connection shielding on print clamp



ITEM NO.	QUANTITY	DESCRIPTION	MATERIAL
1	1	PCB P(090)P71	FR 4
2	1	Print Clamp	
3	1	Y-Con Jack 21	

UNLESS OTHERWISE SPECIFIED:
DIMENSIONS ARE IN MILLIMETERS
TOLERANCES: ±0.2

REV.	REVISION DESCRIPTION	INITIALS	REV. DATE
5			
4			
3			
2			
1			



NOTES:
RJ45 plus
Cat 5

DO NOT SCALE DRAWING		
DESIGN	NAME	DATE

CLASSIFICATION:	
Customer-drawing	
TITLE: Y-Con jack-24 PCB Cable Clamp	
DWG NO.: Customer-P(090)A71	REV. ORIGIN: C -
APPROVED	

Mouser Electronics

Authorized Distributor

Click to View Pricing, Inventory, Delivery & Lifecycle Information:

[Yamaichi Electronics:](#)

[Y-ConJack-24](#)