

Technical Data

Material

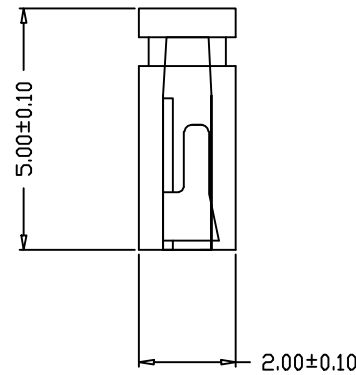
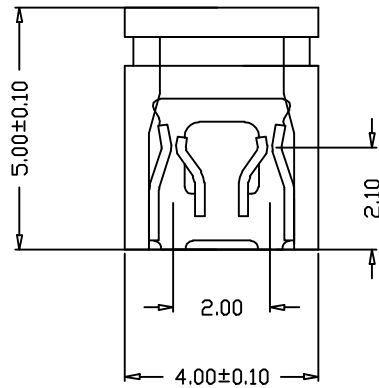
Contact Material: Brass/Phosphor Bronze
 Contact plating: Nicker/Gold Flash
 Insulator Material: Black Polyester UL94V-0
 Standard: PBT+30%G F

Electrical

Current rating: 3.0Amps/contact ma
 Contact resistance: $\leq 20m\Omega$ / contact
 Insulation resistance: $\geq 1000MQ$ at $V=100V$
 Withstanding Voltage: 1000V AC/minute

Mechanical

Operaing temperature: -40 C to +105C



X4601-B 1 X X

HOUSING COLOR:
 B:BLACK BL:BLUE Y:YELLOW
 W:WHITE GR:GREEN R:RED

CONTACT PLATING:
 GF:FULL GOLD FLASH
 NI:NICKEL
 GN:GOLD+NICKEL

HEIGHT:
 1:5.0mm

HOUSING TYPE:
 A:OPEN B:CLOSE C:LONG

					DSND		DATE		SCALE: N/A	MODEL TYPE: 2.0 CONN		
					DWN		DATE		VIEW:	PART NO.:		
					CHKD		DATE		UNIT: mm/in	DWG NO.:		
					APPD		DATE		SIZE: A4	X4601-B1XX		
REVISIONS					UNSPECIFIED TOLERANCES					WEIGHT	SHEET	REVISION
www.xk-dg.cn www.helloxkb.com www.helloxkb.cn					XKB INDUSTRIAL PRECISION CO.,LIMITED					1.0g	1/1	A0

MARK	DESCRIPTION	DATE	REVISED	APPROVED	ANGLAR	±5°
ΔX					$L \leq 4$	±0.2
ΔX					$4 < L \leq 16$	±0.3
ΔX					$16 < L \leq 63$	±0.4
					$L > 63$	±0.5