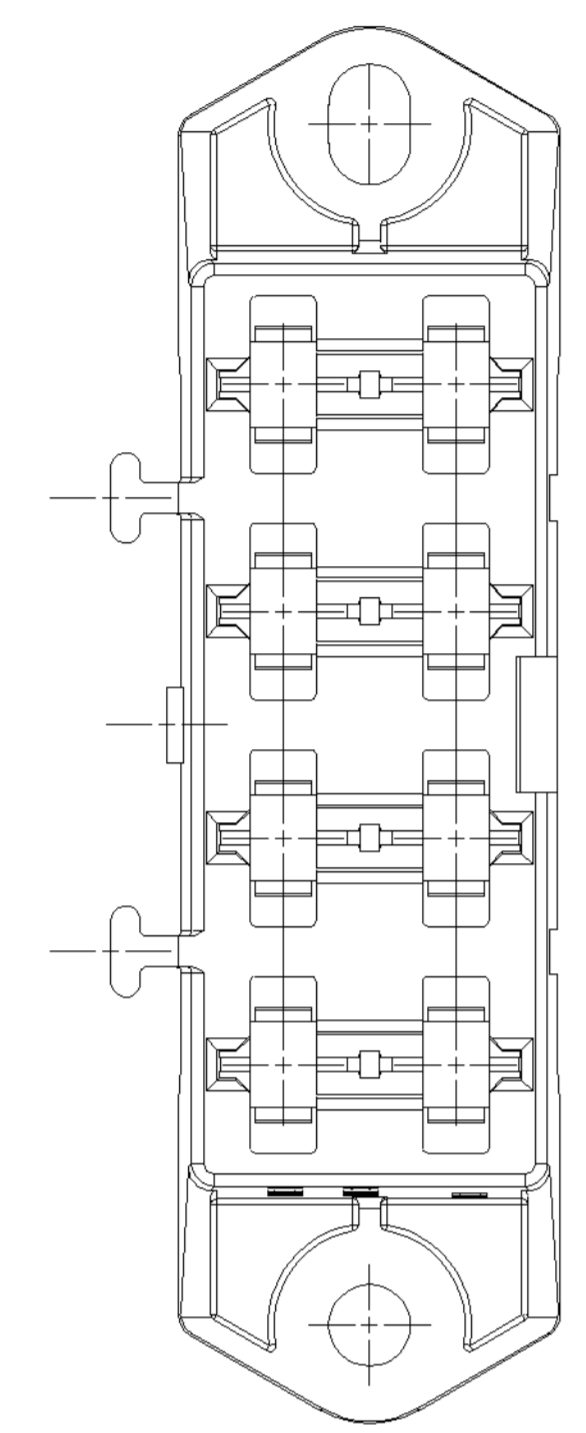
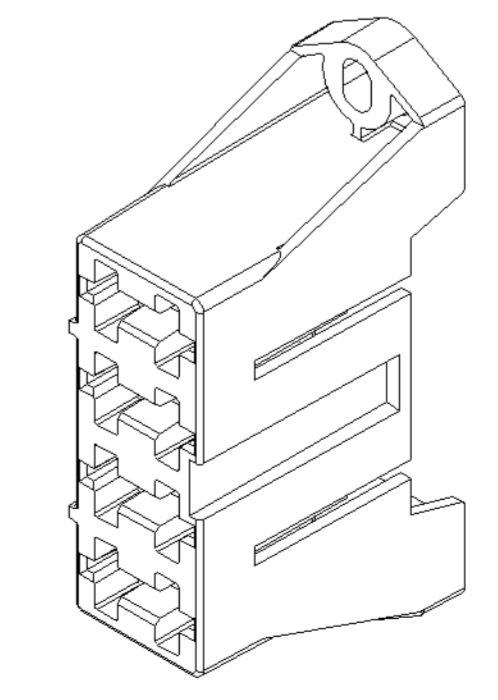
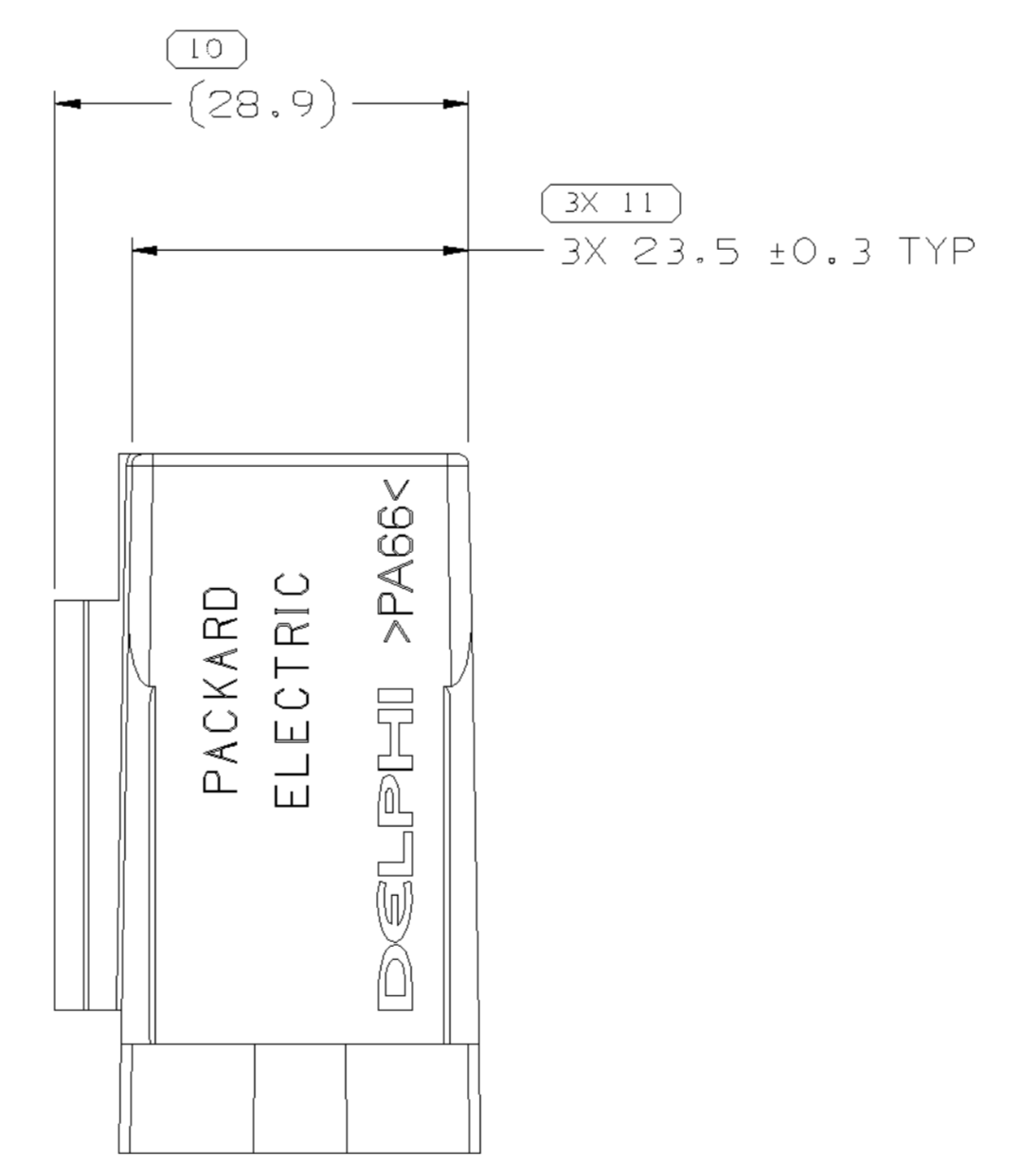
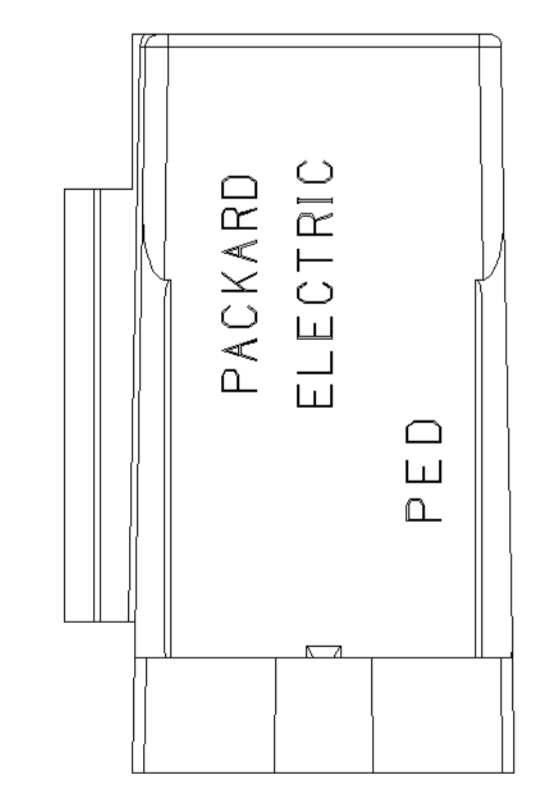
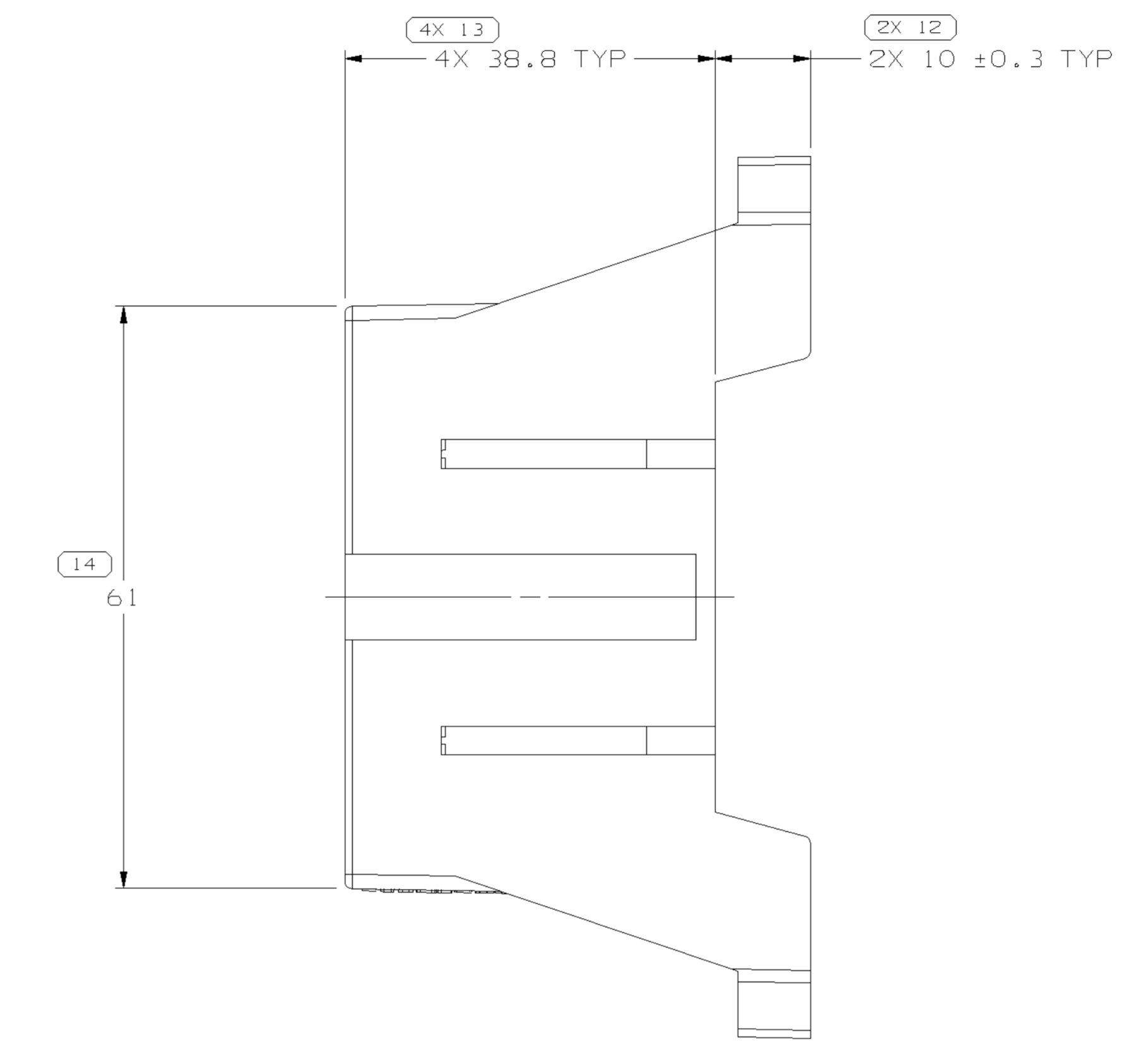
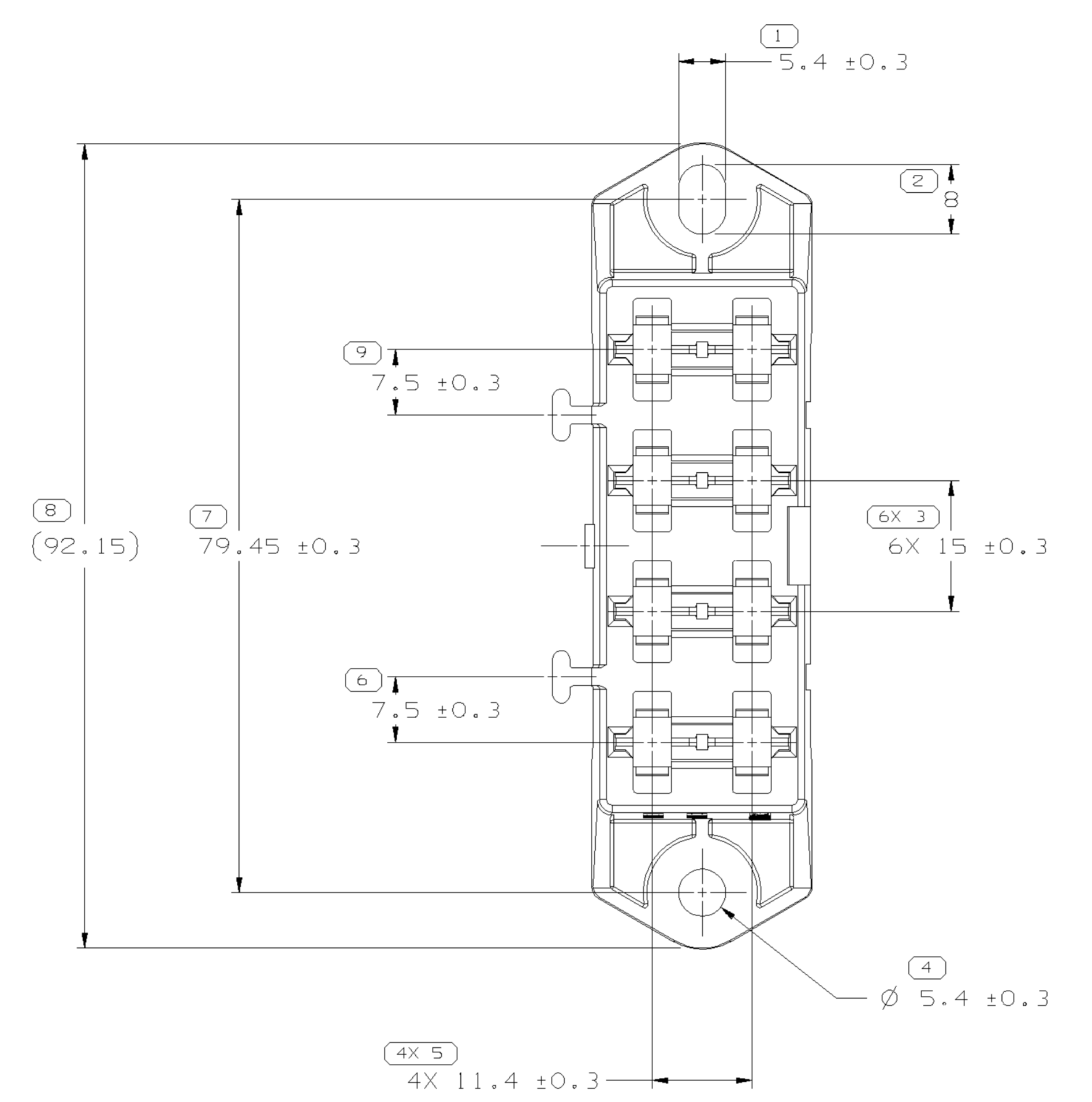


SYMBOL DEFINITION		MISSING SYMBOLS	
A DIMENSION WITHOUT AN INSPECTION REPORT SYMBOL DOES NOT REQUIRE INSPECTION. IT MAY BE CONTROLLED ON THE INDIVIDUAL COMPONENT DRAWING.	TOTAL NO OF INSPECTIONS REQUIRED	NO MISSING SYMBOL NUMBER	
	28		
	LAST NO. USED	14	

DWG STATUS				REVISION HISTORY				AUTH	DR	CK	APVD
DATE	STG	REV	CHG	N/P	ZONE						
230001	R	003	-	-		REDRAWN TO PD & MAT'L SPEC WAS R0067548	216165	RH	RCH	JH	



OPTIONAL CONSTRUCTION



NOTES

- UNLESS OTHERWISE SPECIFIED AND/OR INDICATED: DIMENSIONS ARE TO FACE OF VIEW SHOWN AND AUTOMATICALLY ROUNDED BY COMPUTER FOR INSPECTION (SEE MATH MODEL FOR PRECISE DIMENSIONS). FOR ALL OTHER DIMENSIONS NOT SHOWN BUT REQUIRED FOR TOOL BUILD, SEE MATH MODEL FOR PRECISE TOOL PATH DATA.
- MATERIAL RECYCLING CODE >PA66< PER SAE J1344. (2.3)X(0.1) RAISED CHARACTERS AS SHOWN TO BE LOCATED ON ANY EXTERIOR SURFACE. OPTIONAL CONSTRUCTION TO BE NO MATERIAL RECYCLING CODE.
- (2.3)X(0.1) RAISED DELPHI CORPORATE BRAND TO BE LOCATED ON ANY EXTERIOR SURFACE, PREFERABLY VISIBLE AT FINAL ASSEMBLY. OPTIONAL CONSTRUCTION TO BE "PED" OR NO LOGO.

DELPHI Automotive Systems			
MATERIAL SPEC M3592001 PA66 HS 1M BLK			
SUBSTANCES OF CONCERN AND RECYCLED CONTENT PER DELPHI-A 10949001			
PART DRAWING			DISTR CODE D
CODE NUMBER 6900	DWG DATE 08DE76	SCALE 2:1	
OC SPEC	STYLE	VOLUME cm ³ 33.984	
PART GEOMETRY 3D SOLID	UNLESS OTHERWISE SPECIFIED: THIS DOCUMENT IS IN ACCORDANCE WITH ASME Y14.5M - 1994 AS AMENDED BY THE GM GLOBAL DIMENSIONING AND TOLERANCING ADDENDUM - 1997. ALL GEOMETRIC TOLERANCES AND RELATED DATUMS APPLY RFS. RULE #1 (PERFECT FORM AT MMC) DOES NOT APPLY WHEN RELATIONSHIP BETWEEN FEATURES IS ESTABLISHED BY ORIENTATION OR LOCATION TOLERANCES. SEPARATE POSITION CALLOUTS MAY BE GAGED SEPARATELY REGARDLESS OF DATUM REFERENCES.		
CHANGE RESTRICTED NO MANUAL CHANGES	REFERENCE	DR	DATE
COPY OF MATH DATA DO NOT SCALE		APVD1 J.M. SOVA	01NO77
METRIC UNLESS OTHERWISE SPECIFIED, ALL DIMENSIONS ARE IN MILLIMETERS		APVD2 T. MUDREY	01NO77
		APVD3 J. SAVICH	02NO77
		APVD4	
		APVD5	
THIRD ANGLE PROJECTION	DRAWING NAME BASE FUSBLK PAC/ON IIII		

DIMENSIONAL RANGE (MM)		CHART LET	
FROM	TO	FROM	TO
0	> 20	> 20	> 300
20	> 30	30	> 400
30	> 40	40	
40	> 50	50	
50	> 60	60	
60	> 70	70	
70	> 80	80	
80	> 90	90	
90	> 100	100	
100	> 150	150	
150	> 200	200	
200	> 250	250	
250	> 300	300	
300	> 400	400	
TOLERANCE UNLESS OTHERWISE SPECIFIED			
±0.15		±0.2	
±0.3		±0.4	
±0.5		±0.6	
±0.8		±1	
±1		±1.2	
ANGULAR TOLERANCE ± 2'			

SHEET NUMBER 1 OF 1	DRAWING NUMBER 12004943	DWG STATUS STG REV N/P R 003 -	SIZE A0
------------------------	----------------------------	--------------------------------------	------------

Mouser Electronics

Authorized Distributor

Click to View Pricing, Inventory, Delivery & Lifecycle Information:

[Aptiv:](#)

[12004943](#) [12004943-B](#)