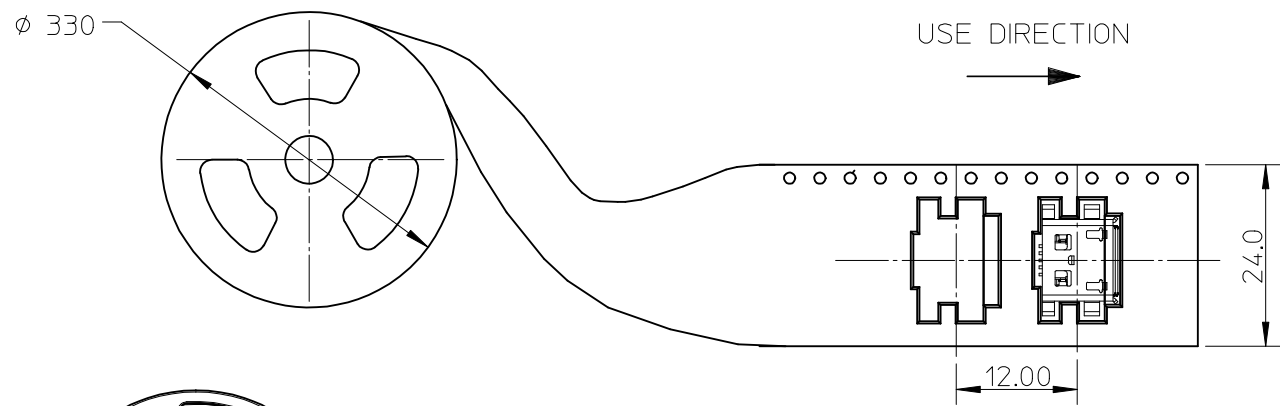
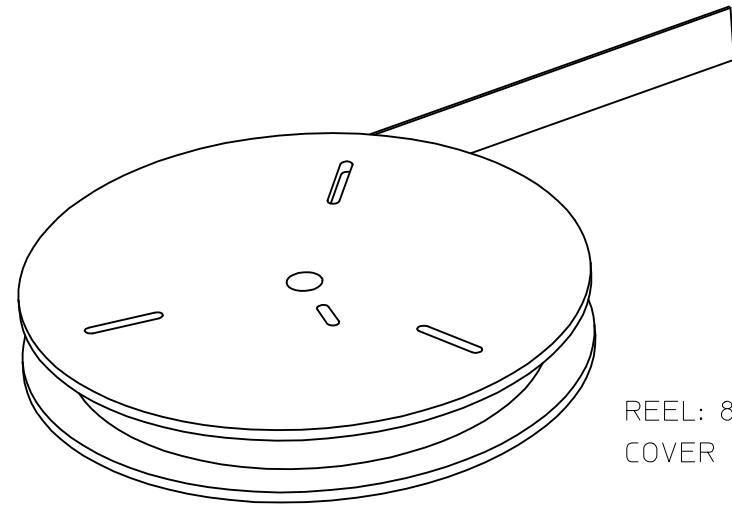


- NOTES:
1. MATERIAL: 0.4±0.05 PSCR.
  2. GENERAL TOLERANCE: ±0.20MM UNLESS OTHERWISE STATED.
  3. DRAFT ANGLE: 5° MAX. TYP.
  4. UNLESS OTHERWISE STATED,FORMING RADIUS:  
0.5 MAX. TYP (OUTSIDE), 0.3 MAX. TYP (INSIDE).
  5. MAXIMUM CUMULATIVE TOLERANCE FOR 10 SOCKETS HOLE PITCH: ±0.2
  6. NO HIT MARKS, BRIDGES AND CRACKS ALLOWED.
  7. CAMBERS DON'T EXCEED 1.0MM IN 100MM.
  8. CARRIER TAPE PART NUMBER: 88596-0302.
  9. COMPLIANT TO RoHS DIRECTIVE 2002/95/EC AND ELV DIRECTIVE 2000/53/EC.

ADD PART NUMBER EC NO: SH2013-0294 DRWN:XQZHANG 2013/03/20 CHKD:XQZHANG 2013/03/22 APPR:AYIN 2013/04/16	QUALITY SYMBOLS FA=0 FC=0 FP=0	GENERAL TOLERANCES (UNLESS SPECIFIED)		DIMENSION STYLE MM ONLY		SCALE 1:1	DESIGN UNITS METRIC	THIRD ANGLE PROJECTION		
			mm	INCH	DRAWN BY XJSONG	DATE 2008/01/04	TITLE PACKAGING DRAWING FOR MICRO USB REC. MID MOUNT			
		4 PLACES	± ---	± ---	CHECKED BY JTIAN	DATE 2008/01/04				
			ANGULAR ± 2 °		APPROVED BY AYIN		DATE 2013/04/16	DOCUMENT NO. PK-47642-001		
3 PLACES	± ---	± ---	MATERIAL NO. SEE SHEET 2		DATE					
2 PLACES	± 0.25	± ---	DRAFT WHERE APPLICABLE MUST REMAIN WITHIN DIMENSIONS		DATE	SHEET NO. 1 OF 2				
1 PLACE	± 0.25	± ---	SIZE A3		DATE					
0 PLACE	± ---	± ---	THIS DRAWING CONTAINS INFORMATION THAT IS PROPRIETARY TO MOLEX INCORPORATED AND SHOULD NOT BE USED WITHOUT WRITTEN PERMISSION							

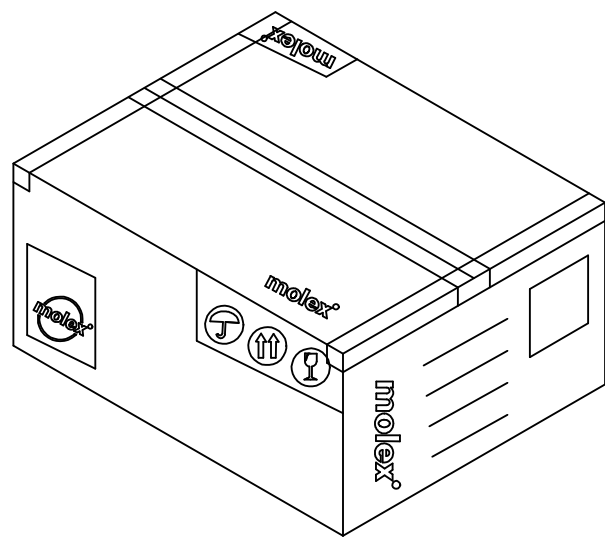


CARRIER TAPE: 88596-0302

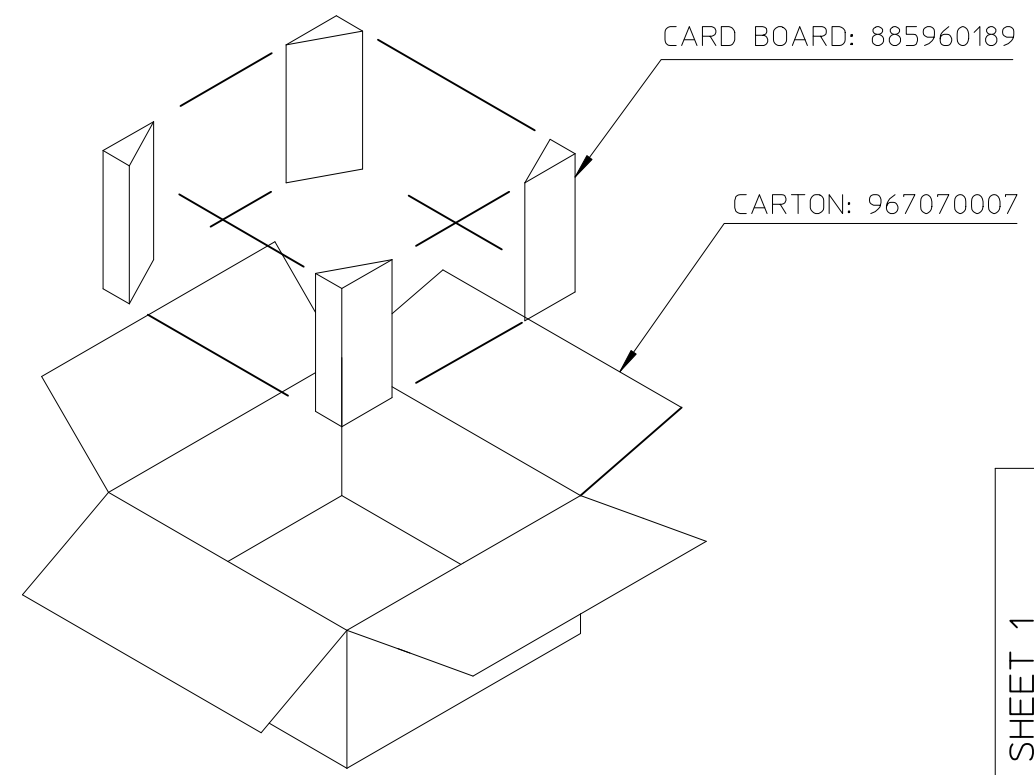


REEL: 88596-3221  
COVER TAPE: 89499-0121

- NOTES:
1. QUANTITY: 1,500PCS/REEL.
  2. 5 REELS IN A CARTON.
  3. COMPLIANT TO RoHS DIRECTIVE 2002/95/EC AND ELV DIRECTIVE 2000/53/EC.



PART NUMBER	PARTS PER SHIPPING CARTON (S.P.Q)	PARTS PER REEL	TOTAL REELS PER CARTON
47642-0001	7,500PCS	1,500PCS	5
47642-0011	7,500PCS	1,500PCS	5
47642-1001	7,500PCS	1,500PCS	5
47642-1011	7,500PCS	1,500PCS	5
47642-1101	7,500PCS	1,500PCS	5
47642-0002	7,500PCS	1,500PCS	5
105193-0001	7,500PCS	1,500PCS	5
105193-1001	7,500PCS	1,500PCS	5
105193-1002	7,500PCS	1,500PCS	5
105193-9001	7,500PCS	1,500PCS	5
105248-0001	7,500PCS	1,500PCS	5
105248-1001	7,500PCS	1,500PCS	5
105248-1101	7,500PCS	1,500PCS	5
105248-1002	7,500PCS	1,500PCS	5



CARD BOARD: 885960189

CARTON: 967070007

SEE SHEET 1 EC NO: SH2013-0294 DRWN: XQZHANG CHKD: XQZHANG APPR: AYIN 2013/03/20 2013/03/22 2013/04/16	QUALITY SYMBOLS	GENERAL TOLERANCES (UNLESS SPECIFIED)		DIMENSION STYLE MM ONLY		SCALE 2:1	DESIGN UNITS METRIC	THIRD ANGLE PROJECTION
	$F_A=0$	4 PLACES	mm	INCH	DRAWN BY XJ SONG	DATE 2008/01/04	TITLE PACKAGING DRAWING FOR MICRO USB REC. MID MOUNT	
	$F_C=0$	3 PLACES	± ---	± ---	CHECKED BY JTIAN	DATE 2008/01/04		
	$F_P=0$	2 PLACES	± 0.25	± ---	APPROVED BY AYIN	DATE 2013/04/16		
		1 PLACE	± 0.25	± ---	MATERIAL NO. SEE TABLE		DOCUMENT NO. PK-47642-001	SHEET NO. 2 OF 2
	0 PLACE	± ---	± ---	ANGULAR ± 2 °		THIS DRAWING CONTAINS INFORMATION THAT IS PROPRIETARY TO MOLEX INCORPORATED AND SHOULD NOT BE USED WITHOUT WRITTEN PERMISSION		
		DRAFT WHERE APPLICABLE MUST REMAIN WITHIN DIMENSIONS						