

Anderson's largest Euro Battery Connector is the EBC 320. This connector uses the same auxiliary contacts as the EBC160 amp connector which keeps inventory levels down and cuts cost. Coding pins are available for all battery types and are marked for all standard voltages. The customer has the option of using two 4mm auxiliaries along with two 6mm auxiliaries giving them more signaling options.

The EBC 320 amp connector meets DIN 43589-1 and EN 1175-1, carries the CE approval and meets the test procedures established in EN 60529:1991.

FEATURES

- **Streamlined design**
Lower cost, ease of assembly and improved functionality
- **3 hexagonal voltage coding pins for wet, dry/gel and air supply**
Coding pins marked for 24V, 36V, 48V, 72V, 80V, and 96V provide additional safety and prevent cross voltage mating
- **Optional air voltage key**
Voltage key and air tube in one component
- **2 main contacts, 4 auxiliary contacts, voltage key and air supply**
All can be used at the same time



PRODUCT SPECIFICATION

Connector Model	EBC320	Connector Model	EBC320
Current Rating (Amperes)	320	Flammability rating of housing material	Glow Wire
Voltage Ratings (Volts)	150	Housing Material Acid Resistance	Meets EN 1175-1
Wire Size (mm ²)	50mm ² to 95mm ²	Operating Temperature Range °C	-25°C to 90°C
Contact Material	Copper		
Plating Material	Silver		
Housing Material	pa6 Glass Filled Nylon	<i>Meets standards established by EN 1175-1 and DIN 43589-1 Complies with the European Machinery Directive: 89/392/EEC</i>	

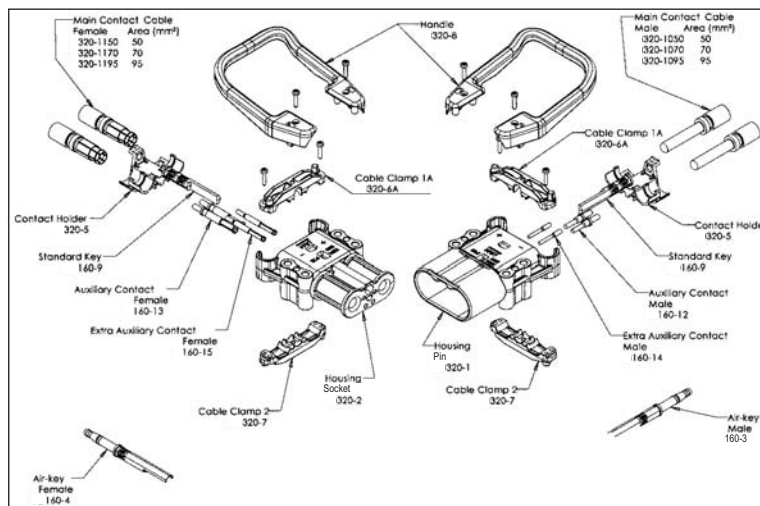
PART NUMBER GUIDE

Our part numbering systems allows you to create your own part number, based on your connector requirements. By using the the formula below, you simply fill in the corresponding number based on the features you are looking for.

Example: If you are looking for an 320 amp pin connector, 50 mm, without (handle - air - aux.) and contacts packed in a bag, your part number would be **A32450-0009**.

Position	1st	2nd & 3rd	4th	5th & 6th	7th	8th	9th	10th	
Part Number	A	32	4	50	-	0	0	0	9
	A	Amps	Gender	Contact		Handle	Key Type	Auxiliary	Packaging
		32	4 Plug 5 Socket	50,70,95		0 No 1 Yes Black	0 Standard 1 Air 2 Dry/Gel	0 None 1 6mm (two) 2 4mm (two) 4 All	8 Bulk 9 Bag

Choose one number for each of the 10 positions



ORDERING INFORMATION

Plug/Socket

Cable Diameter	Plug	Plug with Handle	Socket	Socket with Handle
50mm2	A32450-0009	A32450-1009	A32550-0009	A32550-1009
70mm2	A32470-0009	A32470-1009	A32570-0009	A32570-1009
95mm2	A32495-0009	A32495-1009	A32595-0009	A32595-1009

Plug/Socket with 2 x 8mm Auxiliary Contacts

Cable Diameter	Plug	Plug with Handle	Socket	Socket with Handle
50mm2	A32450-0019	A32450-1019	A32550-0019	A32550-1019
70mm2	A32470-0019	A32470-1019	A32570-0019	A32570-1019
95mm2	A32495-0019	A32495-1019	A32595-0019	A32595-1019

Plug/Socket with Air Supply System

Cable Diameter	Plug	Plug with Handle	Socket	Socket with Handle
50mm2	A32450-0109	A32450-1109	A32550-0109	A32550-1109
70mm2	A32470-0109	A32470-1109	A32570-0109	A32570-1109
95mm2	A32495-0109	A32495-1109	A32595-0109	A32595-1109

Plug/Socket with Air Supply System & 2 x 6mm Auxiliary Contacts

Cable Diameter	Plug	Plug with Handle	Socket	Socket with Handle
50mm2	A32450-0119	A32450-1119	A32550-0119	A32550-1119
70mm2	A32470-0119	A32470-1119	A32570-0119	A32570-1119
95mm2	A32495-0119	A32495-1119	A32595-0119	A32595-1119

Plug/Socket with 2 x 4mm Auxiliary Contacts

Cable Diameter	Plug	Plug with Handle	Socket	Socket with Handle
50mm2	A32450-0029	A32450-1029	A32550-0029	A32550-1029
70mm2	A32470-0029	A32470-1029	A32570-0029	A32570-1029
95mm2	A32495-0029	A32495-1029	A32595-0029	A32595-1029

Plug/Socket with Air Supply System & 2 x 4mm Auxiliary Contacts

Cable Diameter	Plug	Plug with Handle	Socket	Socket with Handle
50mm2	A32450-0129	A32450-1129	A32550-0129	A32550-1129
70mm2	A32470-0129	A32470-1129	A32570-0129	A32570-1129
95mm2	A32495-0129	A32495-1129	A32595-0129	A32595-1129

Plug/Socket with Both 6mm & 4mm Auxiliary Contacts

Cable Diameter	Plug	Plug with Handle	Socket	Socket with Handle
50mm2	A32450-0049	A32450-1049	A32550-0049	A32550-1049
70mm2	A32470-0049	A32470-1049	A32570-0049	A32570-1049
95mm2	A32495-0049	A32495-1049	A32595-0049	A32595-1049

Plug/Socket with Air & Both Sets of Auxiliaries

Cable Diameter	Plug	Plug with Handle	Socket	Socket with Handle
50mm2	A32450-0149	A32450-1149	A32550-0149	A32550-1149
70mm2	A32470-0149	A32470-1149	A32570-0149	A32570-1149
95mm2	A32495-0149	A32495-1149	A32595-0149	A32595-1149

Plug/Socket with Dry/Gel Voltage Key

Cable Diameter	Plug	Plug with Handle	Socket	Socket with Handle
50mm2	A32450-0209	A32450-1209	A32550-0209	A32550-1209
70mm2	A32470-0209	A32470-1209	A32570-0209	A32570-1209
95mm2	A32495-0209	A32495-1209	A32595-0209	A32595-1209

Plug/Socket with Dry/Gel Voltage Key & 6mm Auxiliaries

Cable Diameter	Plug	Plug with Handle	Socket	Socket with Handle
50mm2	A32450-0219	A32450-1219	A32550-0219	A32550-1219
70mm2	A32470-0219	A32470-1219	A32570-0219	A32570-1219
95mm2	A32495-0219	A32495-1219	A32595-0219	A32595-1219

Plug/Socket with Dry/Gel Voltage Key & 4mm Auxiliaries

Cable Diameter	Plug	Plug with Handle	Socket	Socket with Handle
50mm2	A32450-0229	A32450-1229	A32550-0229	A32550-1229
70mm2	A32470-0229	A32470-1229	A32570-0229	A32570-1229
95mm2	A32495-0229	A32495-1229	A32595-0229	A32595-1229

Plug/Socket with Dry/Gel Voltage Key & All Auxiliaries

Cable Diameter	Plug	Plug with Handle	Socket	Socket with Handle
50mm2	A32450-0249	A32450-1249	A32550-0249	A32550-1249
70mm2	A32470-0249	A32470-1249	A32570-0249	A32570-1249
95mm2	A32495-0249	A32495-1249	A32595-0249	A32595-1249

320 Amp Male 50, 70, 95 mm² (Plug)

Component Parts: (Conforms to EN1175-1. Ref: SE-0151150-3)

Part Number	Description
320-1	Male Pin Housing
160-9	Standard Voltage Key
160-17	Dry/Gel Green Voltage Key
320-1050	Main Pin Contact 50mm
320-1070	Main Pin Contact 70mm
320-1095	Main Pin Contact 95mm
160-14	4mm Auxiliary Contacts
160-12	6mm Auxiliary Contacts
320-6A	Upper Cable Clamp
320-7	Lower Cable Clamp
320-5	Contact Holder
160-3	Male Air Key
320-8	Handle
113715P5	4 x Screws Cable Clamp

320 Amp Female 50, 70, 95 mm² (Socket)

Component Parts: (Conforms to EN1175-1. Ref: SE-0151150-3)

Part Number	Description
320-2	Female Socket Housing
160-9	Standard Voltage Key
160-17	Dry/Gel Green Voltage Key
320-1150	Main Socket Contact 50mm
320-1170	Main Socket Contact 70mm
320-1195	Main Socket Contact 95mm
160-15	4mm Auxiliary Contacts
160-13	6mm Auxiliary Contacts
320-6A	Upper Cable Clamp
320-7	Lower Cable Clamp
320-5	Contact Holder
160-4	Female Air Key
320-8	Handle
113715P5	4 x Screws