



[Connectors](#) > [Power Connectors](#) > [Circular Power](#) > [Circular Power Connectors](#) > [Connectors with Posted Pin Contacts, CPC Series 1](#)



Connector Product Type: **Connector Assembly**

Operating Voltage: **250 VDC**

Connector System: **Wire-to-Board, Wire-to-Panel**

Number of Positions: **24**

Sealable: **No**

[All Connectors with Posted Pin Contacts, CPC Series 1 \(39\)](#)

Features

Product Type Features

Connector Product Type	Connector Assembly
Connector System	Wire-to-Board, Wire-to-Panel
Sealable	No
Connector & Housing Type	Receptacle
Circular Connector Shell Type	All Plastic

Configuration Features

Number of Positions	24
Number of Power Positions	0
Number of Signal Positions	24

Electrical Characteristics

Operating Voltage	250 VAC
-------------------	---------

Contact Features

Reverse Gender	No
Contact Type	Pin

Termination Features

Termination Method to PCB	Through Hole - Solder
---------------------------	-----------------------



Mechanical Attachment

Mating Alignment Type	Keyed
Mating Alignment	With
Panel Mount Feature Type	Flange with Threaded Inserts
Mating Retention Type	Threaded Coupling
Polarization Code	A
Connector Mounting Type	Panel Mount
Mating Retention	With
Panel Mount Feature	With

Housing Features

Housing Color	Black
Housing Material	PA 6.6
Circular Connector Shell Size	23

Dimensions

Assembly Length	39.88 mm[1.57 in]
-----------------	-------------------

Usage Conditions

Operating Temperature Range	-55 – 105 °C[-67 – 221 °F]
Fluid Resistance	None

Operation/Application

Circuit Application	Signal
Shielded	No

Industry Standards

UL Flammability Rating	UL 94V-0
------------------------	----------

Packaging Features

Packaging Quantity	12
Packaging Method	Tray

Product Compliance

[For compliance documentation, visit the product page on TE.com>](#)

EU RoHS Directive 2011/65/EU	Compliant with Exemptions
EU ELV Directive 2000/53/EC	Compliant with Exemptions
China RoHS 2 Directive MIIT Order No 32, 2016	Restricted Materials Above Threshold



EU REACH Regulation (EC) No. 1907/2006

Current ECHA Candidate List: JUNE 2024 (241)

Candidate List Declared Against: JUNE 2024 (241)

SVHC > Threshold:

Pb (3.7% in Component Part)

Article Safe Usage Statements:

Do not eat, drink or smoke when using this product. Wash thoroughly after handling. Recycle if possible and dispose of the article by following all applicable governmental regulations relevant to your geographic location.

Halogen Content

BFR/CFR/PVC Free, but Br/Cl >900 ppm in other sources.

Solder Process Capability

Wave solder capable to 265°C

Product Compliance Disclaimer

This information is provided based on reasonable inquiry of our suppliers and represents our current actual knowledge based on the information they provided. This information is subject to change. The part numbers that TE has identified as EU RoHS compliant have a maximum concentration of 0.1% by weight in homogenous materials for lead, hexavalent chromium, mercury, PBB, PBDE, DBP, BBP, DEHP, DIBP, and 0.01% for cadmium, or qualify for an exemption to these limits as defined in the Annexes of Directive 2011/65/EU (RoHS2). Finished electrical and electronic equipment products will be CE marked as required by Directive 2011/65/EU. Components may not be CE marked. Additionally, the part numbers that TE has identified as EU ELV compliant have a maximum concentration of 0.1% by weight in homogenous materials for lead, hexavalent chromium, and mercury, and 0.01% for cadmium, or qualify for an exemption to these limits as defined in the Annexes of Directive 2000/53/EC (ELV). Regarding the REACH Regulation, the information TE provides on SVHC in articles for this part number is based on the latest European Chemicals Agency (ECHA) 'Guidance on requirements for substances in articles' posted at this URL: <https://echa.europa.eu/guidance-documents/guidance-on-reach>

Compatible Parts



TE Part # CAT-AM71-C83998B
CPC Cable Clamps



TE Part # 206837-1
CPC PLUG ASSEMBLY SIZE 23-24



TE Part # 207299-4
FLANGE PLUG



TE Part # 207055-1
EXTENDER BACK SHELL



TE Part # 6-2407269-3
CAP, CPC, SIZE 23 RECP, RED



TE Part # 6-2407269-1
CAP, CPC, SIZE 23 RECP, ORANGE



TE Part # 6-2407269-4
CAP, CPC, SIZE 23 RECP, YELLOW



TE Part # 6-2407269-2
CAP, CPC, SIZE 23 RECP, BLACK

Also in the Series | **AMP CPC**



Circular Power Connectors(458)



Connector Backshells(1)



Connector Caps & Covers(19)



Connector Contacts(6)



Connector Hardware(12)



Connector Seals & Cavity Plugs(36)



Connector Strain Relief(60)



Insertion & Extraction Tools(1)



Sealing Sleeves(2)

Customers Also Bought



TE Part #DTM13-12PB-R008
HDR, 12P, BLK, RA EEC, NI/CU, B



TE Part #EEC-325X4B
ENCLOSURE, 3.25 X 4, BLK, NO VENT



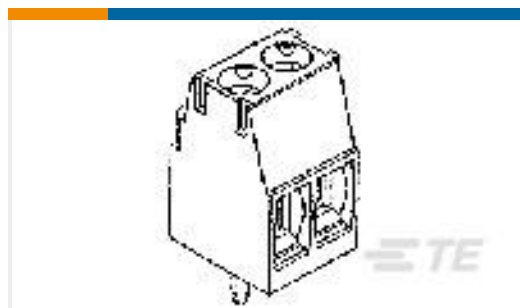
TE Part #2834006-1
RELEASE POKE-IN
CONNECTOR_1POLES



TE Part #1-1721150-0
ORWH-SH-105D1F,000



TE Part #121397P024
ES2000-NO.3-B8-0-STK



TE Part #284392-8
TERMI-BLOK PCB SIDE ENTRY STAC



TE Part #2058703-1
Herm Blade & Recp Assy, 2 Pos,Latch



TE Part #103735-4
05 MTE HDR SRST LATCH .100CL



Documents

Product Drawings

[CPC RCPT SZ 23-24 W/THRD INSRT](#)

English

CAD Files

Customer View Model

[ENG_CVM_CVM_213588-2_H.2d_dxf.zip](#)

English

[3D PDF](#)

3D

Customer View Model

[ENG_CVM_CVM_213588-2_H.3d_igs.zip](#)

English

Customer View Model

[ENG_CVM_CVM_213588-2_H.3d_stp.zip](#)

English

By downloading the CAD file I accept and agree to the [Terms and Conditions](#) of use.

Datasheets & Catalog Pages

[AMP Circular Connectors for Commercial Signal & Power Applications](#)

English

Product Specifications

[Application Specification](#)

English

Agency Approvals

[CSA Certificate](#)

English