

# HC-EVO-B10-SHFDC-2SSM32-PLRBK - Housing



1407639

<https://www.phoenixcontact.com/us/products/1407639>

Please be informed that the data shown in this PDF document is generated from our online catalog. Please find the complete data in the user documentation. Our general terms of use for downloads are valid.



Surface mounting housing B10, for double locking latch, material: PA 6.6-FR, protective cover material: PC, cable outlets: 2, lateral, 2x M32, height: 74 mm, cable gland: none, protective cover: yes, Standard

## Product description

One screw connection opening is closed, however can be opened using a screwdriver

## Your advantages

- Lower costs than metal version
- Low weight
- Lower risk of condensation

## Commercial data

Item number	1407639
Packing unit	1 pc
Minimum order quantity	1 pc
Sales key	BF57
Product key	BF7APL
Catalog page	Page 612 (C-2-2019)
GTIN	4046356777018
Weight per piece (including packing)	158.3 g
Weight per piece (excluding packing)	156.3 g
Customs tariff number	85389099
Country of origin	PL

# HC-EVO-B10-SHFDC-2SSM32-PLRBK - Housing



1407639

<https://www.phoenixcontact.com/us/products/1407639>

## Technical data

### Notes

General	For contact inserts HC-B10, BB18, DD42, M, K8/24, HV03-I-PT, HC- 3-E...C
---------	--

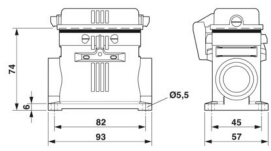
### Product properties

Product type	Housing with locking latch
Housing type	Surface mounting housing
Product family	HC-EVO-B
Application	Standard
Type	B10
No. of cable outlets	2
Type of the screw connection	2x M32
Type	Tall design
Protective cover	yes
Cable outlet	lateral
Pg screw connection	none

### Data management status

Article revision	04
------------------	----

### Dimensions

Dimensional drawing	
Width	57 mm
Height	74 mm
Length	93 mm
Hole diameter	5.5 mm

### Material specifications

Flammability rating according to UL 94	V0 (Housing) V0 (Protective cover)
Seal material	NBR
Housing material	PA 6.6-FR
Material, protective cover	PC

### Mechanical properties

#### Mechanical data

Type of the screw connection	2x M32
Locking type	Pin

# HC-EVO-B10-SHFDC-2SSM32-PLRBK - Housing



1407639

<https://www.phoenixcontact.com/us/products/1407639>

## Connection data

Tightening torque	2 Nm ... 3 Nm (for M5 mounting screws on the surface-mount housing)
-------------------	---

## Mounting

Assembly note	One of the two openings for the screw connections is sealed but can be broken open using a screwdriver.
---------------	---

## Environmental and real-life conditions

### Ambient conditions

Degree of protection	IP66 (when plugged in) IP54 (with closed protective cover)
Enclosure rating (NEMA)	12 (UL 50e)
Impact strength	IK09
Ambient temperature (operation)	-40 °C ... 125 °C

# HC-EVO-B10-SHFDC-2SSM32-PLRBK - Housing

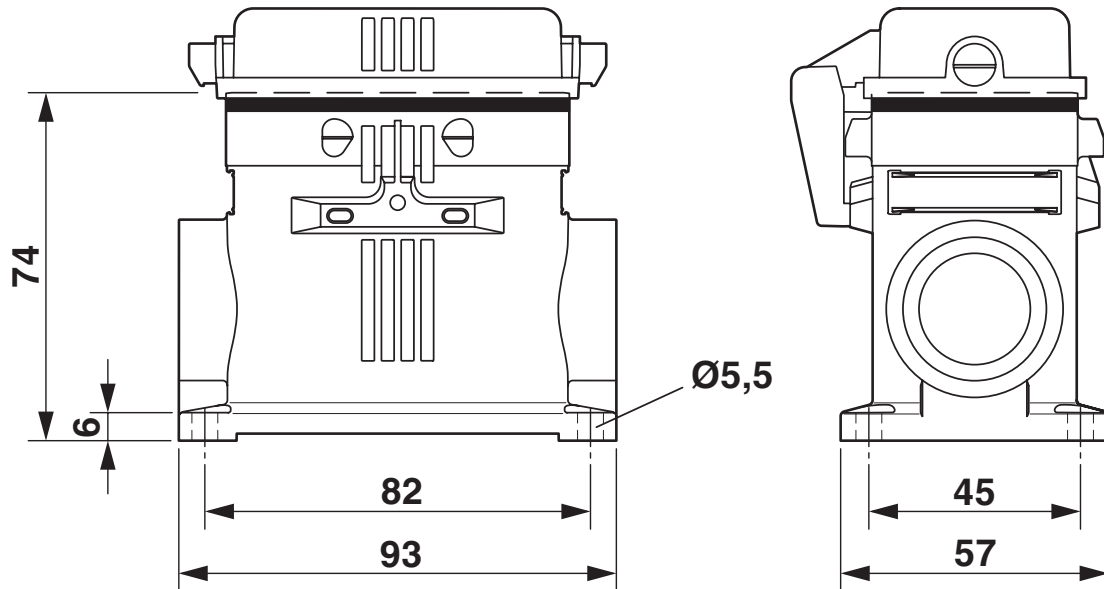


1407639

<https://www.phoenixcontact.com/us/products/1407639>

## Drawings

Dimensional drawing



Dimensional drawing

1407639

<https://www.phoenixcontact.com/us/products/1407639>

## Approvals

🔗 To download certificates, visit the product detail page: <https://www.phoenixcontact.com/us/products/1407639>

**DNV**

Approval ID: TAE000037S

**ERC**

**EAC**

Approval ID: RU C-DE.AI30.B.01102

**ERC**

**EAC**

Approval ID: RU C-DE.BL08.B.00511

1407639

<https://www.phoenixcontact.com/us/products/1407639>

## Classifications

### ECLASS

ECLASS-11.0	27440202
ECLASS-12.0	27440202
ECLASS-13.0	27440202

### ETIM

ETIM 9.0	EC000437
----------	----------

### UNSPSC

UNSPSC 21.0	31261500
-------------	----------

1407639

<https://www.phoenixcontact.com/us/products/1407639>

## Environmental product compliance

### EU RoHS

Fulfills EU RoHS substance requirements	Yes, No exemptions
---	--------------------

### China RoHS

Environment friendly use period (EFUP)	EFUP-E
	No hazardous substances above the limits

### EU REACH SVHC

REACH candidate substance (CAS No.)	No substance above 0.1 wt%
-------------------------------------	----------------------------

Phoenix Contact 2024 © - all rights reserved  
<https://www.phoenixcontact.com>

Phoenix Contact USA  
586 Fulling Mill Road  
Middletown, PA 17057, United States  
(+717) 944-1300  
[info@phoenixcon.com](mailto:info@phoenixcon.com)