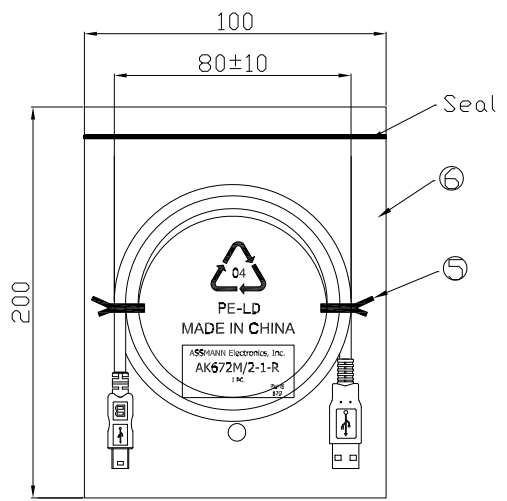
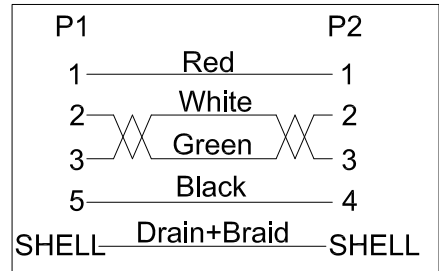


Cable white print  
 HI-SPEED USB Revision 2.0 SHIELDED 28AWG/1P+28AWG/2C  
 AWM STYLE 2725 80°C 30V VW-1



**PIN ASSIGNMENT**



WSW P/N	Jacket color	Length(mm)
AK672M/2-1-R	Black	1000±30
AK672M/2-2-R	Black	2000±50
AK672M/2-3-R	Black	3000±50
AK672M/2-5-R	Black	5000±50

**Electrical test:**

- 100% short, open, miswire test
- Conduct resistance: 2 Ohm max.
- Insulator resistance: 10Mohm min.
- Dielectric test: DC 300V

NO.	NAME.	Q'TY	SPECIFICATION
⑦	PE Bag	1/10	Clear size: 230x300x0.05mm Print black "MADE IN CHINA" + "10PCS"
⑥	PE Bag	1	Clear size: 100x200x0.05mm Print black "MADE IN CHINA"+ "1PC"
⑤	TIE	2	Black L=100mm
④	Out Jacket	12g	Black PVC-50P (Mold No.: WM-40 & WM-88)
③	Cable	1	Black USB2.0 UL2725 28#/1P+28#/2C+AEB OD:3.8mm
②	CONN	1	USB 2.0 A/type Male SHELL:Nickel PIN:G/F 4PCS Insulator color:White
①	CONN	1	USB 2.0 MINI 5P Male SHELL:Nickel PIN:G/F Insulator color: Black

**RoHS compliant**  
 Unit: mm

Scale	FREE					Date	Name	Customer-No.
TOLERANCE						Drawn	09.05.2014	Amy
						Approved	09.05.2014	Amy
								ASSMANN WSW-No. <b>AK672M/2-x-R</b>
DIM	TOL							Drawing-No. <b>ASS 7131 CA</b>
		①	Drawn	09.05.2014	Amy			rev00
Angle	TOL	Id.	Modification	Date	Name			Replace