

Panel Mount Coupler and Socket-Category 5e/6/6A



Panel Mount Coupler and Socket (FACKSpm, SACKS3pm, SGACKS2pm, SGKSsupm, SKFwhpm and FKFBkpm)

Our innovative new range of RJ45 couplers and connectors is designed for easy mounting on panels of virtually any thickness. The range now consists of six items: a Category 5e, Category 6 and Category 6A shielded coupler and a Category 5e, Category 6 and Category 6A socket.

Features

- High performance Cat 5e/Cat 6/Cat 6A FTP panel mount couplers and Cat 5e/Cat 6/Cat 6A panel mount sockets
- Die cast adaptor is robust and ensures easy mounting (into standard cut-out) and reliable earthing
- Outstanding value
- Butterfly wing tool-less IDC enables quick and easy termination of sockets

Specifications

- Kit includes coupler/connector, panel mount adaptor and 2 x round head (4.40 x ¼") machine screws
- Contact Materials: 50µ"/ 1.27µm gold plating over nickel-plated phosphor bronze
- For specifications of couplers and 6A socket see separate WebPages as follows:
 - Cat 5e FTP keystone coupler :
http://www.tuk.co.uk/tuk_live/product_details.php?category_id=&pId=61
 - Cat 6 FTP keystone coupler
http://www.tuk.co.uk/tuk_live/product_details.php?category_id=&pId=60
 - Cat 6A FTP keystone coupler:
http://www.tuk.co.uk/tuk_live/product_details.php?category_id=&pId=150
 - Cat 6A FTP keystone jack:
http://www.tuk.co.uk/tuk_live/product_details.php?category_id=&pId=113
 - Cat 6 UTP keystone jack:
http://www.tuk.co.uk/tuk_live/product_details.php?category_id=&pId=173

1
ROHS Compliant

7	DATE	2013/05/27
	Revision	A

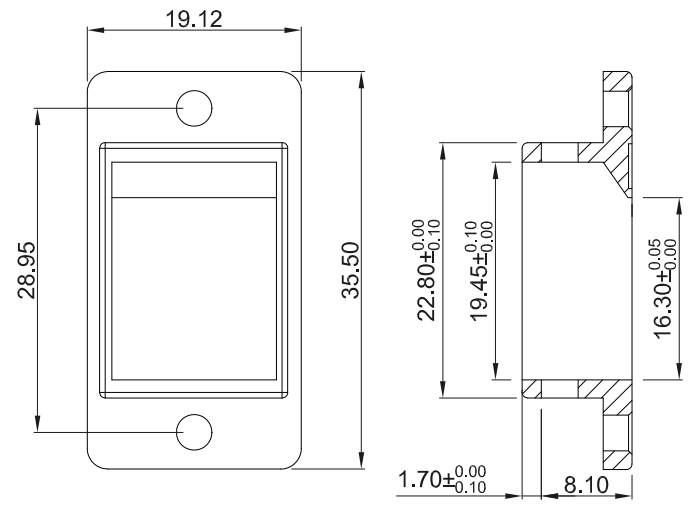
A

B

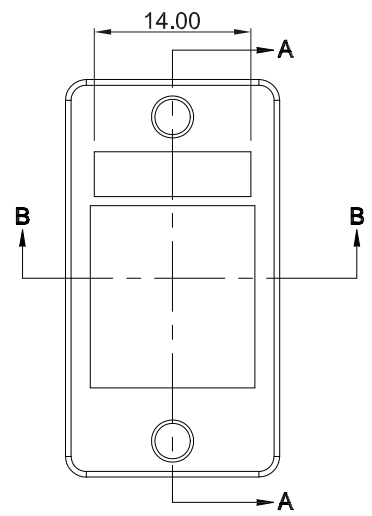
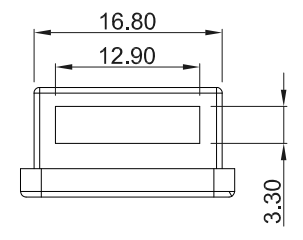
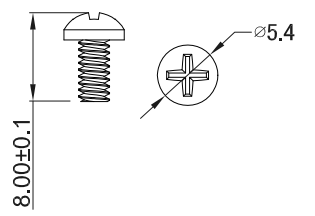
C

D

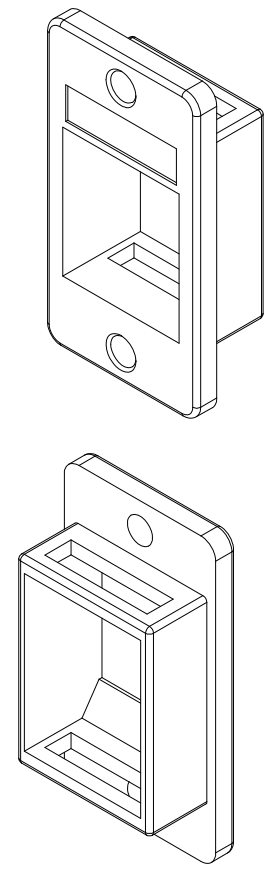
E



SECTION A-A



SECTION B-B



TOLERANCE	
.XXXX	---
.XXX	0.10
.XX	0.25
.X	0.38

MATERIAL	
HOUSING	ZINC ALLOY
ACCESSORY	SCREW x 2

P/NO. KAPMA	
ITEM.	CO. EX2136
DR. Wakka 2013/05/27	S/N. KAPMA
	APPD.
	CHKD.

TUK LTD

FILE.	KAPMA
SCALE /	
UNIT mm	SIZE A4

REV.	DESCRIPTION	ENG.	APPROVAL
1	2	3	4

7	
---	--