

Material and Finish

Insulator: PBT Thermoplastic with Glass-fiber Reinforcement, UL 94V-0 Rated, Color: Black

Shell: Steel, Nickel Plated

Contact Material: Plug - Brass

Contact Plating Options:

Standard: Gold Flash on Mating End, Tin on Termination End, Nickel Underplate on Entire Contact

15 Option: 15u" Gold on Mating End, Tin on Termination End, Nickel Underplate on Entire Contact

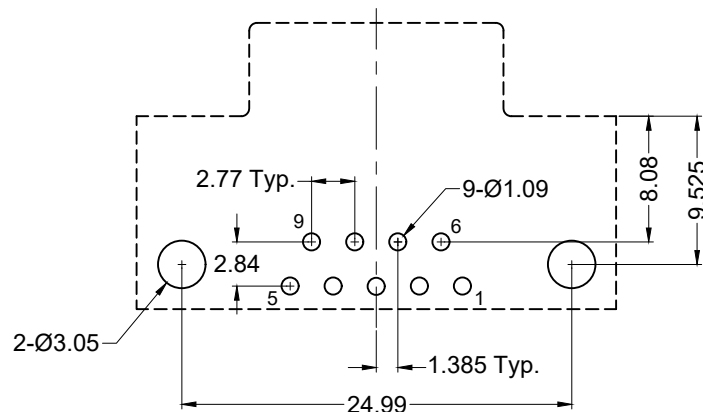
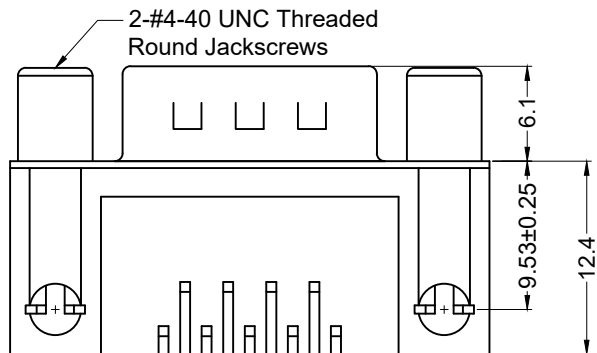
30 Option: 30u" Gold on Mating End, Tin on Termination End, Nickel Underplate on Entire Contact

Electrical Specifications

Rated Current: 2A
 Rated Voltage: 30V RMS
 Insulation Resistance: 1000 Megohms Min. at 500V DC
 Contact Resistance: 13 milliohms Max.
 Dielectric Withstanding Voltage: 1000V for 1 Minute

Mechanical Specifications

Operating Temperature: -55°C to +105°C



Recommended PCB Layout (Top View)

Part Number	Contact Area Plating Finish
K22X-E9P-NR	Gold Flash (Standard)
K22X-E9P-NR15	15u" Gold (15 Option)
K22X-E9P-NR30	30u" Gold (30 Option)



Tolerances
X.X ± 0.25
X.XX ± 0.15
Unless Stated Otherwise

REV.	DATE	DESCRIPTION	REV. BY	CHK. BY	DRAWN BY	DATE
A2	02/21/08	ECO #07-049	S. Vien	H. MA	R. Aguirre	06/23/05
A3	08/14/13	ECO #12-018	S. Vien	P. DalCanto		
A4	05/30/14	ECO #14-025	H. MA	P. DalCanto	UNITS	mm
A5	12/31/17	ECO #17-027	G. Serrato	C. Furumasu		
A6	09/06/18	ECO #18-039	G. Serrato	D. Shehan	mm	
A7	09/19/18	ECO #18-046	D. Shehan	G. Serrato		

K22X-E9P-NR

Right Angle D-Sub, Male, 0.318" Footprint
 Round Jackscrews, RoHS Compliant

