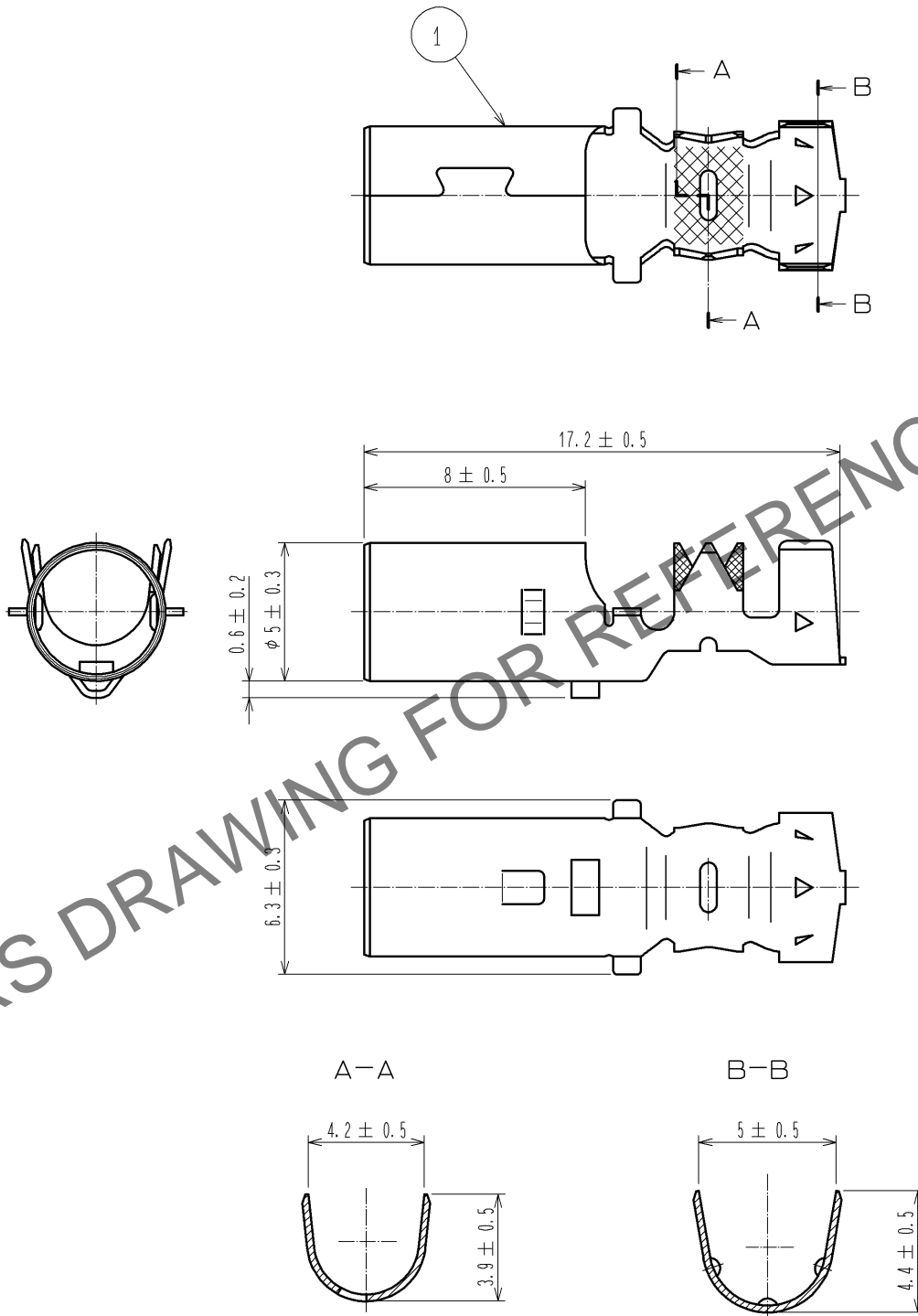


Jun.1.2024 Copyright 2024 HIROSE ELECTRIC CO., LTD. All Rights Reserved.
 In case of consideration for using Automotive equipment / device which demand high reliability, kindly contact our sales window correspondents.

ELV. RoHS COMPLIANT



1	PHOSPHOR BRONZE	TIN PLATED , T=0.25						
NO.	MATERIAL	FINISH , REMARKS	NO.	MATERIAL	FINISH , REMARKS			
UNITS mm		SCALE 4 : 1	COUNT 	DESCRIPTION OF REVISIONS	DESIGNED	CHECKED	DATE	
HRS HIROSE ELECTRIC CO., LTD.	APPROVED : AR. SHIRAI	10. 03. 09	DRAWING NO.	EDC4-165986-00				
	CHECKED : NH. NAKATA	10. 03. 09	PART NO.	GT16G- /1. 6-2. 9SC				
	DESIGNED : TK. SHISHIKURA	10. 03. 08	CODE NO.	CL766-0024-8-00				
	DRAWN : TK. SHISHIKURA	10. 03. 08		1/1				