

(/bluenor-summaries)
nRF52840 BLE 5, Thread, Zigbee modules: BT840, \$5.88 each at 1 pcs;
BT840F, 2300 meter range at 125 Kbps.

x



[SIGN IN](#)

[HOME \(/\)](#)
[COMPANY](#)

[WHO ARE WE? \(/WHO-ARE-WE\)](#)

[CONTACT US \(/CONTACT-US\)](#)

[DISTRIBUTORS \(/BUY-PRODUCTS\)](#)

[MANUFACTURING SERVICES \(/CONTRACT-MANUFACTURING\)](#)

[DEVELOPMENT SERVICES \(/PARTNERS-1\)](#)

[PARTNERS \(/PARTNERS\)](#)

[SELECTION GUIDES \(/MODULE-SELECTION-GUIDES\)](#)

[BLOG \(/BLOG\)](#)

[TOSHIBA](#)

[BLUEFAN SUMMARIES \(/BLUEFAN-SUMMARIES\)](#)

[BLUEFAN SALES \(/BLUEFAN-SALES\)](#)

[BT680F, LONG RANGE BLE 5 MODULE \(/BT680F\)](#)

[BT680T, LOW COST, HCI, BLE 5 MODULE \(/BT680F-LONG-RANGE-BLE-5-MODULE\)](#)

[BT680E, STANDALONE, BLE 5.0 MODULE, U.FL \(/BT680E\)](#)

[BH661C, DUAL MODE 4.2 MODULE \(/DUAL-MODE-BH661C\)](#)

[DOWNLOAD BLUEFAN MODULE DOCUMENT \(/DOWNLOAD-BLUEFANMODULE-DOCUMENT\)](#)
[NORDIC](#)

[BLUENOR SUMMARIES \(/BLUENOR-SUMMARIES\)](#)

[BT40F, BT40, BT40E, NRF5340 BLE 5.1 MODULES \(/BT40F-NRF5340\)](#)

[NRF9160 LTE WITH BLE 5/5.1 MODULES \(/LN60E40F\)](#)

[BM833, BM833F, BM833E, NRF52833 BLE 5.1 MODULE \(/BM833-BM833F-NRF52833-BLE-51-MODULE\)](#)

[BM833A, BM833AF, NRF52811 BLE 5.1 MODULE \(/BT832AF-NRF52810-LONG-RANGE-BLUETOOTH-5-MODULE\)](#)

[BT833 SERIES DIRECTION FINDING BLE 5.1 MODULE \(/BT833\)](#)

[BC840M, BC840, BC840E, COMPACT NRF52840 MODULES \(/BC840M-COMPACT-NRF52840-MODULE\)](#)

[BC832, MICRO BLUETOOTH 5 MODULE, CASTELLATED PINS \(/BT832-1\)](#)

[BT832 BLUETOOTH 5 MODULE \(/BT832-1-1\)](#)

[BT832F LONG RANGE BLUETOOTH 5 MODULE \(/BT832-BLUETOOTH-5-MODULE\)](#)

[BT832X, THE LONGEST RANGE BLUETOOTH 5 MODULE \(/BT832X-BLUETOOTH-5-MODULE\)](#)

[BT832XE, THE LONGEST RANGE BLUETOOTH 5 MODULE, EXTERNAL ANTENNA \(/BT832XE-THE-LONGEST-RANGE-BLUETOOTH-5-MODULE-EXTERNAL\)](#)

[BT832A, NRF52810 BLUETOOTH 5 MODULE \(/BT810\)](#)

[BT832AF, NRF52810 LONG RANGE BLUETOOTH 5 MODULE \(/BT832A-NRF52810-BLUETOOTH-5-MODULE\)](#)

[BT840F, NRF52840 BLE 5 MODULE, SECURE IOT, 802.15.4 THREAD, ZIGBEE \(/BT840\)](#)

[BT840E, NRF52840 BLUETOOTH 5 MODULE, THREAD, ZIGBEE, EXTERNAL ANTENNA \(/BT840E\)](#)

[BT840, LOW COST NRF52840 BLUETOOTH 5, THREAD, ZIGBEE MODULE \(/BT840F-NRF52840-BLE-5-MODULE-SECURE-IOT-802154-THREAD-ZIGBEE\)](#)

[BT840X, NRF52840 MODULE WITH PA \(/BT840F-NRF52840-BLE-5-MODULE-SECURE-IOT-802154-THREAD-ZIGBEE-1\)](#)

[BT840XE, NRF52840 MODULE WITH PA AND U.FL \(/BT840X-NRF52840-MODULE-WITH-PA\)](#)

[BM832, NRF52832 BLUETOOTH 5 MODULE \(/BM832\)](#)
[BM832A, NRF52810 BLE 5 MODULE \(/BM832A-BLUETOOTH-5-MODULE\)](#)
[BM832E, NRF52832 BLUETOOTH 5 MODULE WITH U.FL \(/BM832-NRF52832-BLUETOOTH-5-MODULE\)](#)
[BT600I, NRF51822 MODULE \(/BT600I\)](#)
[BT600E, NRF51822 MODULE \(/BT600E\)](#)
[DOWNLOAD BLUENOR DOCUMENT \(/DOWNLOAD-DOCUMENT\)](#)
[TEST REPORTS & DEPLOYMENT RECOMMENDATIONS \(/TESTREPORT\)](#)
[PRELOADED FIRMWARE \(/DOWNLOAD-BLUENOR-DOCUMENT\)](#)
[OPENSOURCES](#)
[OPEN SOURCE SUMMARIES \(/OPENSOURCES-IOT\)](#)
[LEW840X, IP65 IIOT GATEWAYS, MULTIPLE NETWORKS, RADIOS \(/LEW840X-IOT-GATEWAY\)](#)
[SLR40F6, IP65 BLE 5.1, LTE, LORA SENSORS \(/SLR40F6-IP65SENSORS\)](#)
[BWG832F WIFI BLE 5 IOT GATEWAY \(/OPEN-SOURCES-GATEWAY\)](#)
[BWG832X LONG RANGE BLUETOOTH 5 GATEWAY \(/BWG832X-WIFI-BLE-5-IOT-GATEWAY\)](#)
[BWG840F, BWG840X INDUSTRIAL WIFI BLUETOOTH 5 IOT GATEWAY \(/WIFI-BLE-5-IOT-GATEWAY\)](#)
[BLG840F INDUSTRIAL LTE TO BLUETOOTH 5 IOT GATEWAY \(/BWG840F-INDUSTRIAL-WIFI-BLUETOOTH-5-IOT-GATEWAY\)](#)
[USB840F, BLUETOOTH 5.0, THREAD, ZIGBEE USB DONGLE \(/USB840F\)](#)
[USB840X, THE LONGEST RANGE USB DONGLE \(/USB840X\)](#)
[USB840M, COMPACT BLE 5, THREAD, ZIGBEE USB DONGLE \(/USB840M-BLE5-THREAD-ZIGBEE-USB-DONGLE\)](#)
[BLUETOOTH 5 SENSORS \(/WIFI-BLUETOOTH-5-SENSORS\)](#)
[BREWGENIE \(/BREWGENIE\)](#)
[DOWNLOAD OPENSOURCE DOCUMENT \(/DOWNLOAD-OPENSOURCE\)](#)
[WIFI,LORA](#)
[LORA,WIFI SUMMARIES \(/WIRELESS-MODULE-SUMMARIES\)](#)
[LR62E, SX1262 LORA MODULE \(/LR1262\)](#)
[ESP32M16, ESP32 WIFI MODULES \(/ESP32M16-WIFI\)](#)
[DOWNLOAD WIRELESS DOCUMENT \(/WIRELESSDOCUMENT\)](#)

[BUY \(/BUY\)](#)

Nordic

BM832A nRF52810 BLE 5 Module

[BLUENOR SUMMARIES \(/BLUENOR-SUMMARIES\)](#)

[BT40F, BT40, BT40E, NRF5340 BLE 5.1 MODULES \(/BT40F-NRF5340\)](#)

[NRF9160 LTE WITH BLE 5/5.1 MODULES \(/LN60E40F\)](#)

[BM833, BM833F, BM833E, NRF52833 BLE 5.1 MODULE \(/BM833-BM833F-NRF52833-BLE-51-MODULE\)](#)



MODULE)

BM833A, BM833AF,
NRF52811 BLE 5.1
MODULE (/BT832AF-
NRF52810-LONG-
RANGE-BLUETOOTH-5-
MODULE)

BT833 SERIES
DIRECTION FINDING
BLE 5.1 MODULE
(/BT833)

BC840M, BC840,
BC840E, COMPACT
NRF52840 MODULES
(/BC840M-COMPACT-
NRF52840-MODULE)

BC832, MICRO
BLUETOOTH 5
MODULE,
CASTELLATED PINS
(/BT832-1)

BT832 BLUETOOTH 5
MODULE (/BT832-1-1)

BT832F LONG RANGE
BLUETOOTH 5 MODULE
(/BT832-BLUETOOTH-
5-MODULE)

BT832X, THE LONGEST
RANGE BLUETOOTH 5
MODULE (/BT832X-
BLUETOOTH-5-
MODULE)

BT832XE, THE
LONGEST RANGE
BLUETOOTH 5
MODULE, EXTERNAL
ANTENNA (/BT832XE-
THE-LONGEST-RANGE-
BLUETOOTH-5-
MODULE-EXTERNAL)

BT832A, NRF52810
BLUETOOTH 5 MODULE
(/BT810)

BT832AF, NRF52810
LONG RANGE
BLUETOOTH 5 MODULE
(/BT832A-NRF52810-
BLUETOOTH-5-
MODULE)

BT840F, NRF52840
BLE 5 MODULE,
SECURE IOT, 802.15.4
THREAD, ZIGBEE
(/BT840)

BM832A, size
10.2x15x1.9mm

Full Feature BLE 5 module at the lowest cost

By using 2-sided PCB, BM832A has minimum BOM cost and is made in production line dedicated for Bluetooth modules with high production and quality control efficiency, the cost of using BM832A module can be lower than designing-in SoC at any quantity.

However, it is a full feature module. All 32 GPIOs of nRF52810 can be accessed. Inductors required for DCDC converted are integrated. A high performance PCB trace antenna is integrated.

- Nordic nRF52810 QFAA with Cortex M4 at 64MHz
- 192KB flash/24KBRAM
- Bluetooth Range: 340 meters with at least 60% Fresnel zone (/testreport) clearance.
- Complete RF solution with integrated antenna
- 128-bit AES HW encryption
- Serial Wire Debug (SWD)
- Nordic SoftDevice Ready
- Over-The-Air (OTA) firmware update

32 GPIOs, firmware configurable and Peripherals

- 12 bit/200KSps ADC, 8 configurable channels with programmable gain
- 64 level comparator
- 15 level low power comparator with wake-up from system OFF mode
- Temperature sensor

BT840E, NRF52840
BLUETOOTH 5
MODULE, THREAD,
ZIGBEE, EXTERNAL
ANTENNA (/BT840E)

BT840, LOW COST
NRF52840 BLUETOOTH
5, THREAD, ZIGBEE
MODULE (/BT840F-
NRF52840-BLE-5-
MODULE-SECURE-IOT-
802154-THREAD-
ZIGBEE)

BT840X, NRF52840
MODULE WITH PA
(/BT840F-NRF52840-
BLE-5-MODULE-
SECURE-IOT-802154-
THREAD-ZIGBEE-1)

BT840XE, NRF52840
MODULE WITH PA AND
U.FL (/BT840X-
NRF52840-MODULE-
WITH-PA)

BM832, NRF52832
BLUETOOTH 5 MODULE
(/BM832)

BM832A, NRF52810
BLE 5 MODULE
(/BM832A-BLUETOOTH-
5-MODULE)

BM832E, NRF52832
BLUETOOTH 5 MODULE
WITH U.FL (/BM832-
NRF52832-
BLUETOOTH-5-
MODULE)

BT600I, NRF51822
MODULE (/BT600I)

BT600E, NRF51822
MODULE (/BT600E)

DOWNLOAD BLUENOR
DOCUMENT
(/DOWNLOAD-
DOCUMENT)

TEST REPORTS &
DEPLOYMENT
RECOMMENDATIONS
(/TESTREPORT)

PRELOADED FIRMWARE
(/DOWNLOAD-
BLUENOR-DOCUMENT)

temperature sensor.

- 3x 4-channel pulse width modulator (PWM) units with EasyDMA
- Digital microphone interface (PDM)
- 5x 32 bit timers with counter mode
- Up to 3x SPI Master/Slave with Easy DMA
- Up to 2x I2C compatible 2-wire master/slave
- I2S with EasyDMA
- UART (CTS/RTS) with EasyDMA
- Programmable peripheral interconnect (PPI)
- Quadrature Demodulator (QDEC)
- AES HW encryption with EasyDMA
- Autonomous peripheral operation without CPU intervention using PPI and Easy DMA
- 3x real time counter (RTC)

Power:

- Operation voltage: 1.7V to 3.6V
- Peak current: 5.4 mA RX, 7.5 mA TX at +4 dBm.
- 0.4 uA OFF mode, 1.8 uA idle

Miscellaneous

- Operation Temperature: -40°C to +85°C
- Sizes: 10.2x15x1.9mm
- Integrated shield to resist EMI
- Availability: production.

Certifications:

- FCC ID: X8WBM832
- IC (Industrial Canada) ID: 4100A-BM832

- Europe: Certified
- Japan TELEC: 201-180924
- Australia: Certified
- QDID: 97989

Datasheets, certificates, evaluation board schematics are available for download

(<http://www.fanstel.com/download-document>).

Evaluation Board EV BM832A

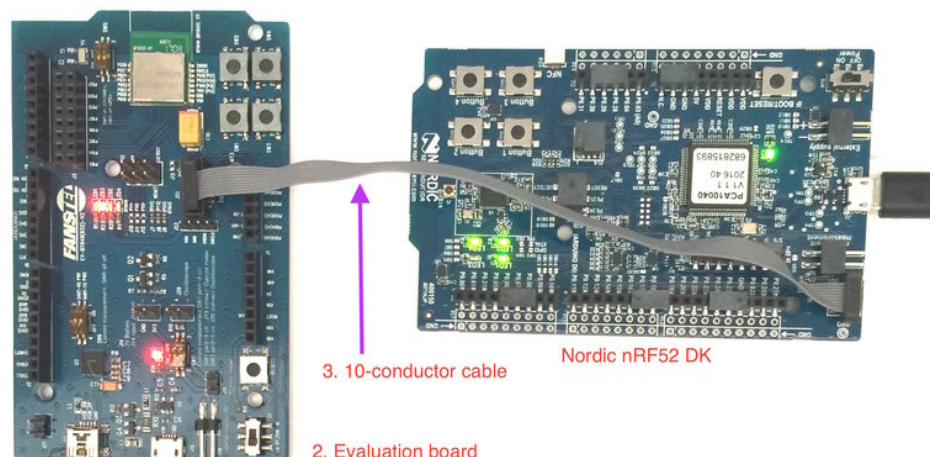
EV BM832A is preloaded with BlueNor nRF5x application and SoftDevice S132 V5.0.0 Bluetooth 5 stacks. It can be used with Android app BlueNor nrf5x available at Google Play Store. You can send commands from an Android phone to toggle LED light on evaluation board. You can also send button pressing signal from evaluation board to Android device.

SDK and Android app source codes are available for download in the **Bluetooth 5 Codes** section of Download BlueNor Document

(<https://fanstel.squarespace.com/download-document>).

Other application codes can be downloaded from the same webpage.

To load other codes or to develop your own, a Nordic nRF52 DK is required but not included.





Order Products

For volume discount and production lead time, please email Fanstel (<mailto:info@fanstel.com>)



(/buy/bt832f-low-cost-longer-range-bluetooth-50-module-

BM832A, Mini nRF52810 BLE 5 module
(/buy/bt832f-low-cost-longer-range-bluetooth-50-module-citrx-mkzai)

from \$3.61

BM832A, BLE 5.0 module with the same soldering pad footprint as BT832.

10-pack price, \$3.76 each;

100-pack price at \$3.45 each

1K pcs-reel price, \$3.00 each

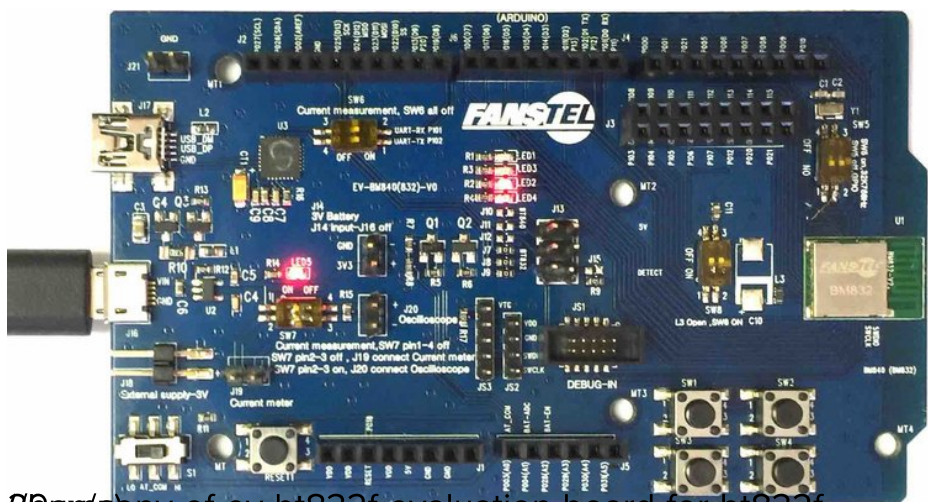
size:

Select size ▾

Quantity:

1

PURCHASE



~~/buy/copy-of-ev-bt832f-evaluation-board-for-bt832f-~~

EV-BM832A, Evaluation board for BM832A, Bluetooth 5 module (/buy/copy-of-ev-bt832f-evaluation-board-for-bt832f-39amz)

\$60.00

Evaluation board for BM832A

Quantity:

1

PURCHASE

FANSTEL CORP, 7466 E MONTE CRISTO AVE, SCOTTSDALE, AZ,
85260 14809484928 INFO@FANSTEL.COM (MAILTO:INFO@FANSTEL.COM)